

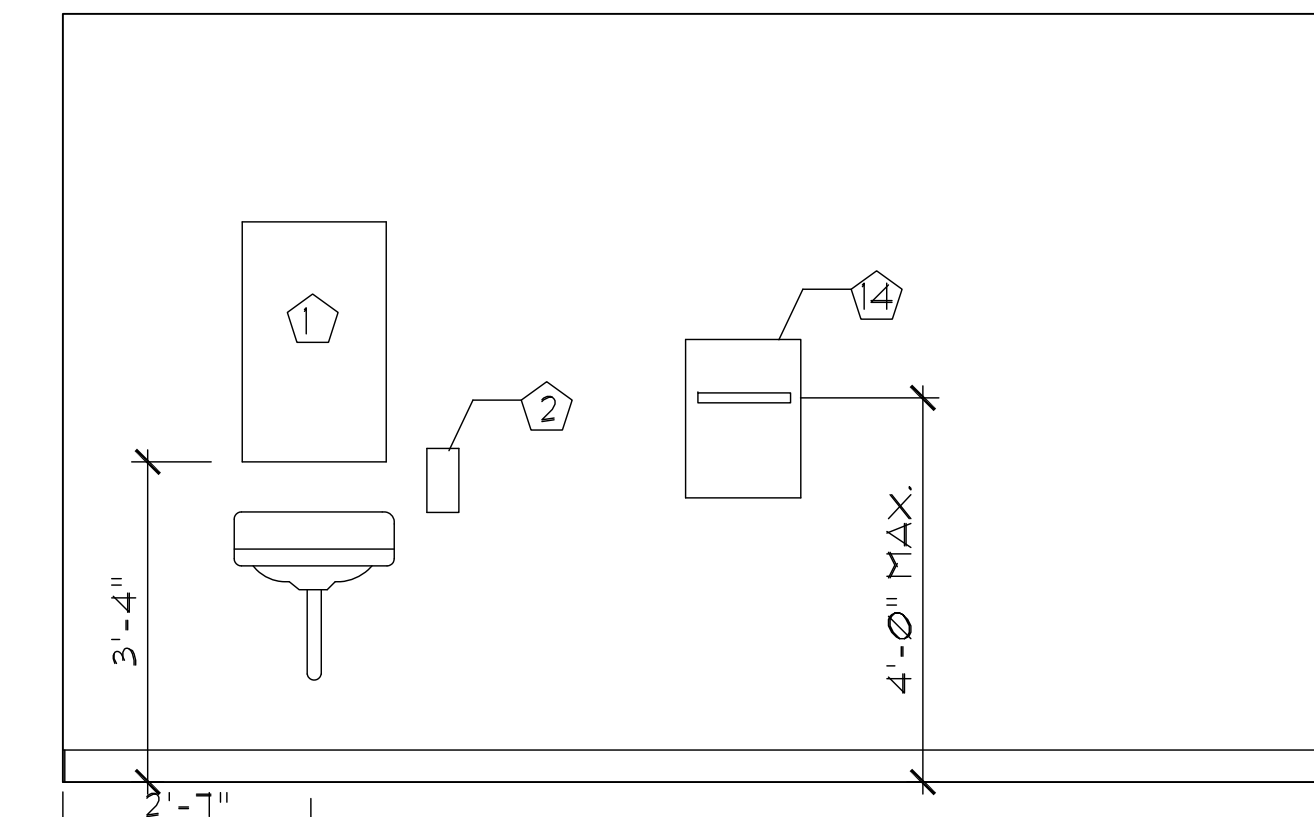
1 TOILET ROOM PLANS & DETAILS
1/2" = 1'-0"

GENERAL NOTE:

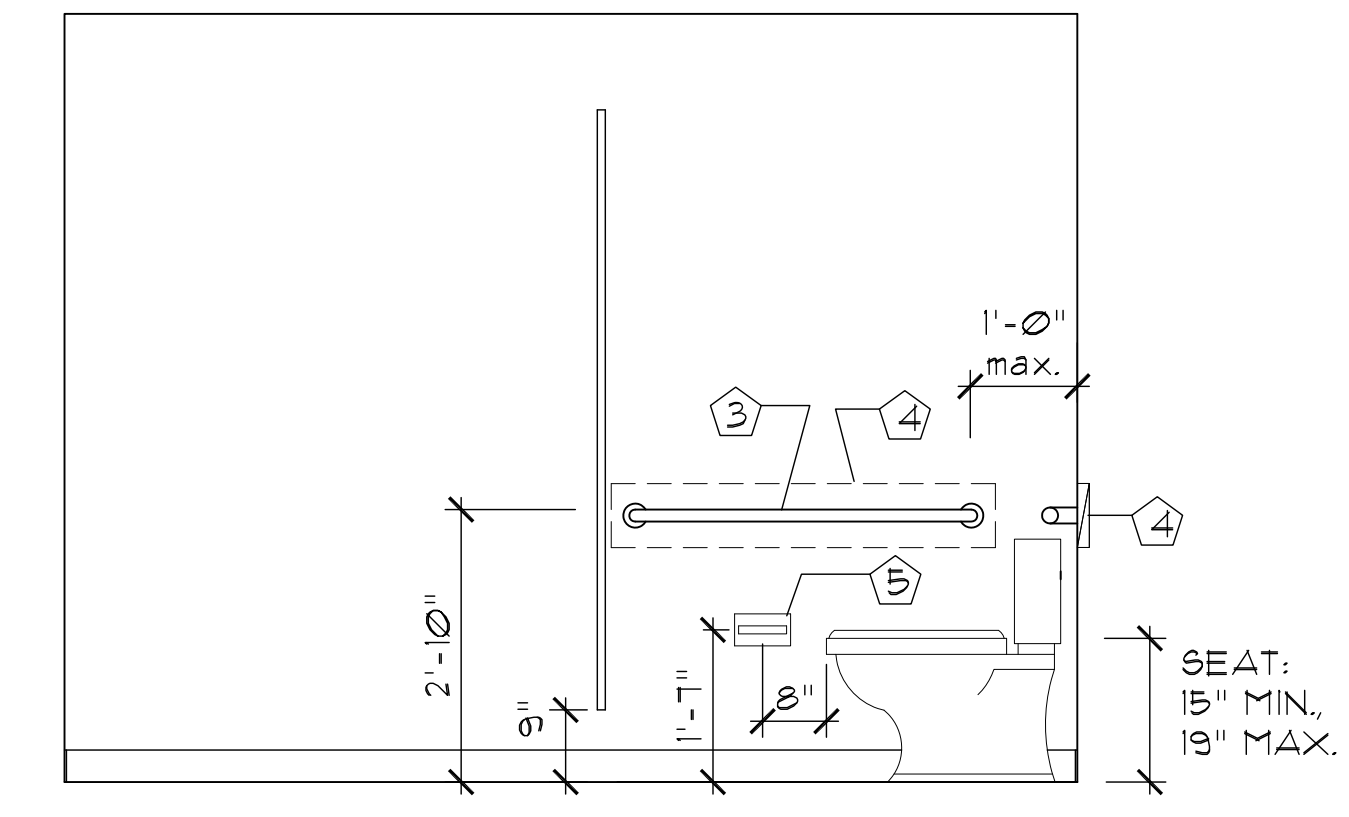
1. PROVIDE SOLID WOOD BLOCKING AT ALL WALL MOUNTED ITEMS.
2. PROVIDE ADA COMPLIANT FIXTURES - LAVATORIES, PIPE WRAP, GRAB BARS, FAUCETS, TOILETS, MIRRORS, SOAP DISPENSERS, TOILET TISSUE DISPENSERS.

KEYED NOTES

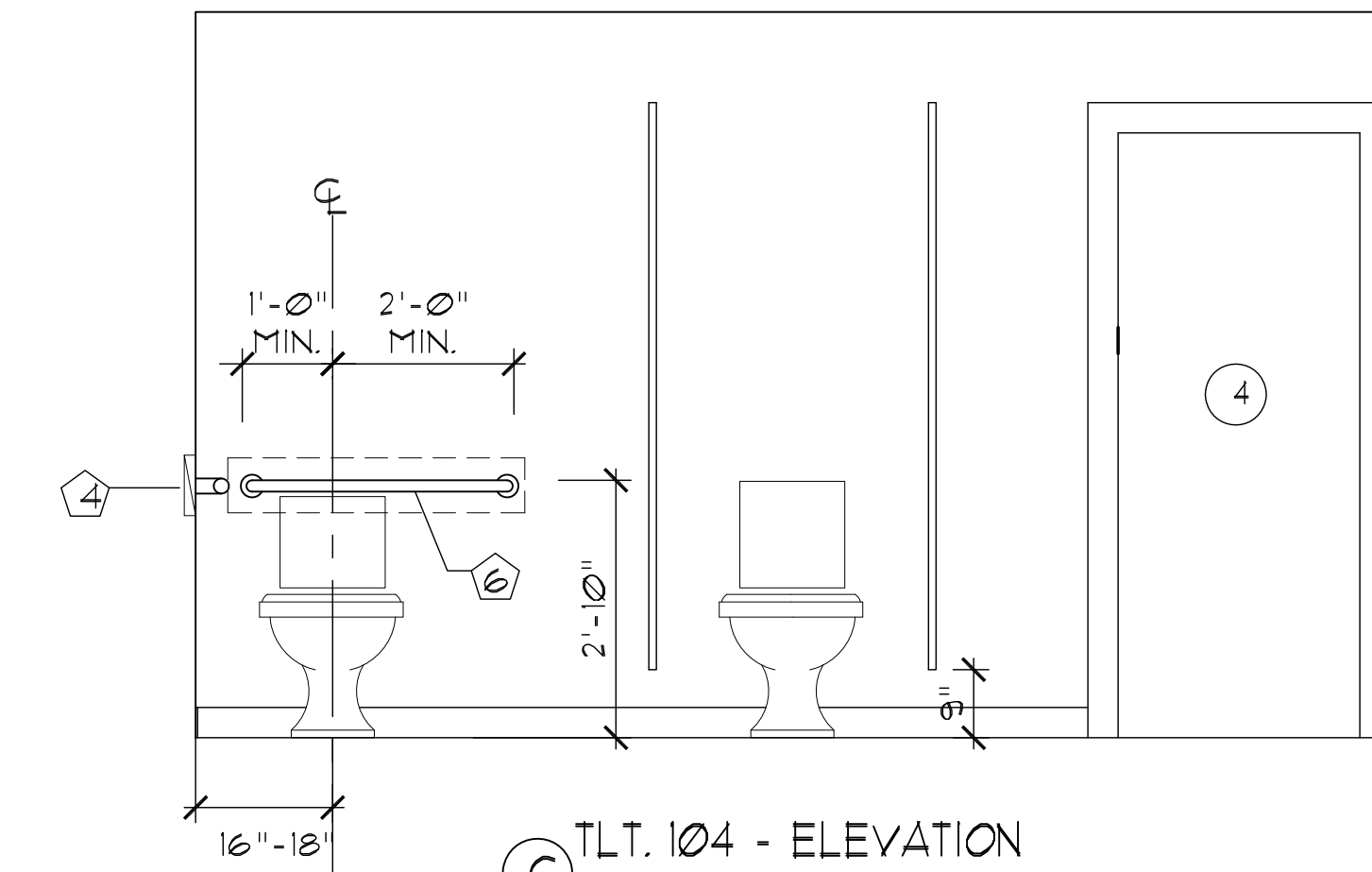
- 1 36" X 24" MIRROR.
- 2 SOAP DISPENSER - MOUNT CONTROL AT 48" AFF MAX.
- 3 42" LONG GRAB BAR.
- 4 SOLID WOOD BLOCKING SHOWN DASHED - TYPICAL.
- 5 TOILET TISSUE DISPENSER.
- 6 36" LONG GRAB BAR.
- 7 PIPE WRAP.
- 8 30" X 48" CLEAR SPACE AT LAVATORY.
- 9 5'-0" DIAMETER TURNING CIRCLE.
- 10 3'-0" X 6'-8" DOOR - INSWINGING PER ADA SECTION 603.2.3.
- 11 EMERGENCY LIGHT.
- 12 DASHED LINE INDICATES REQUIRED KNEE & TOE SPACE AT LAVATORY.
- 13 URINAL - RIM AT 1'-5" AFF.
- 14 PAPER TOWEL DISPENSER - MOUNT SO THAT TOWEL SLOT IS 48" AFF MAX.



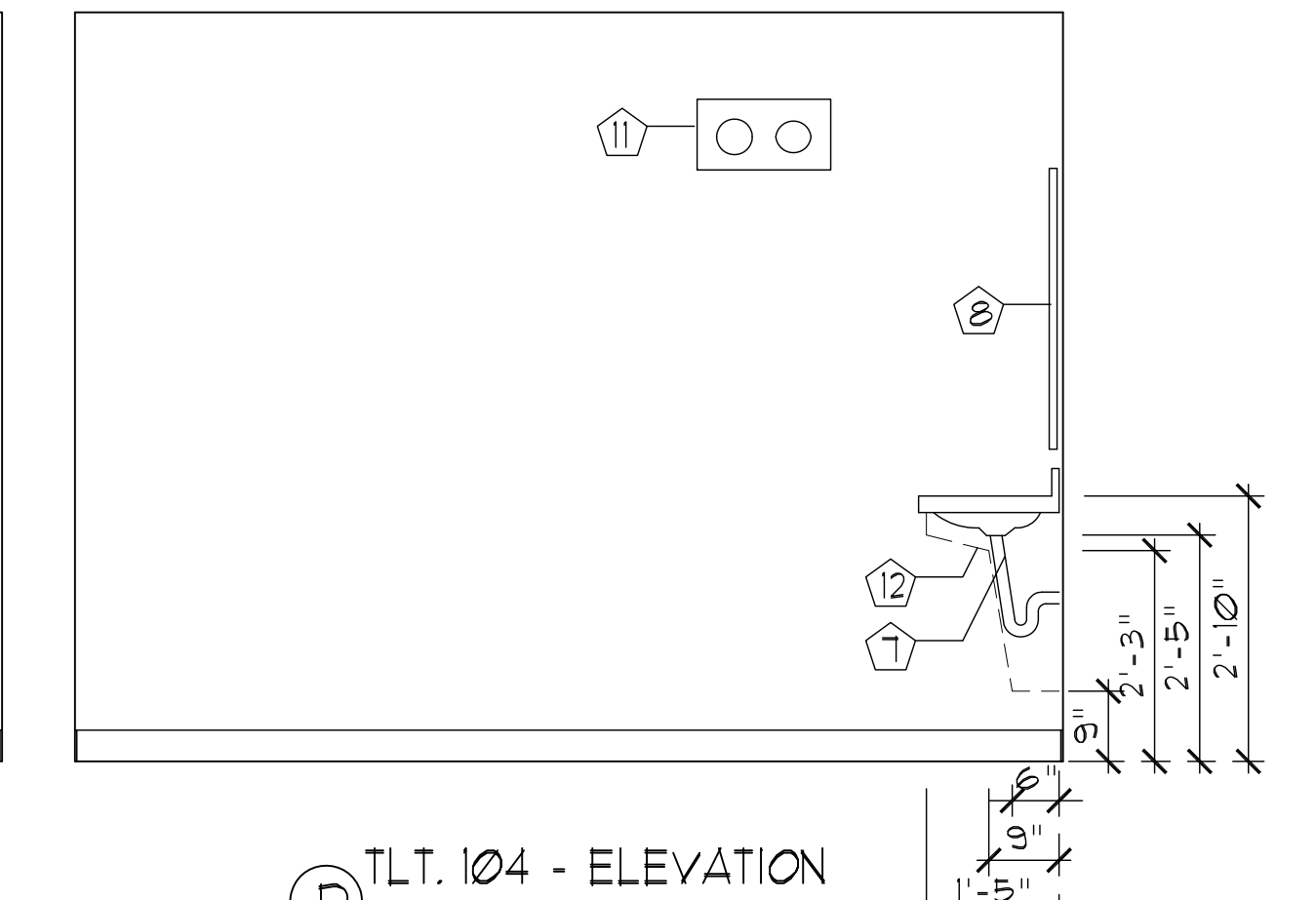
A TLT. 104 - ELEVATION
SCALE: 1/2" = 1'-0"



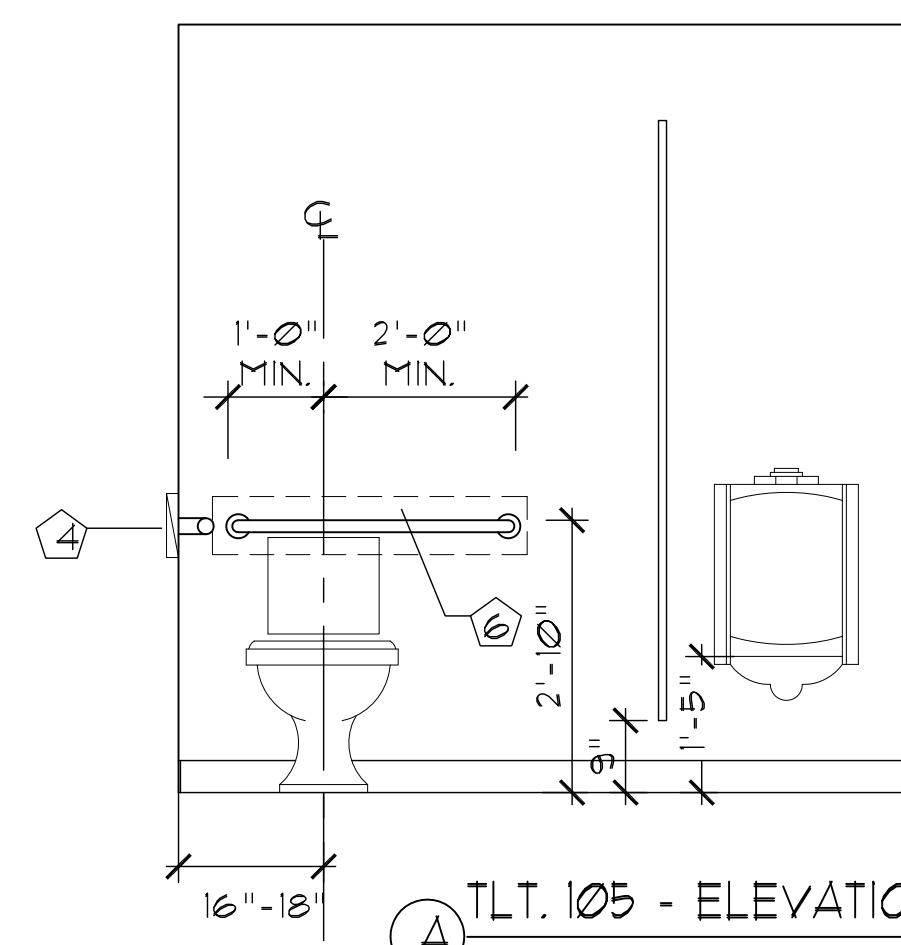
B TLT. 104 - ELEVATION
SCALE: 1/2" = 1'-0"



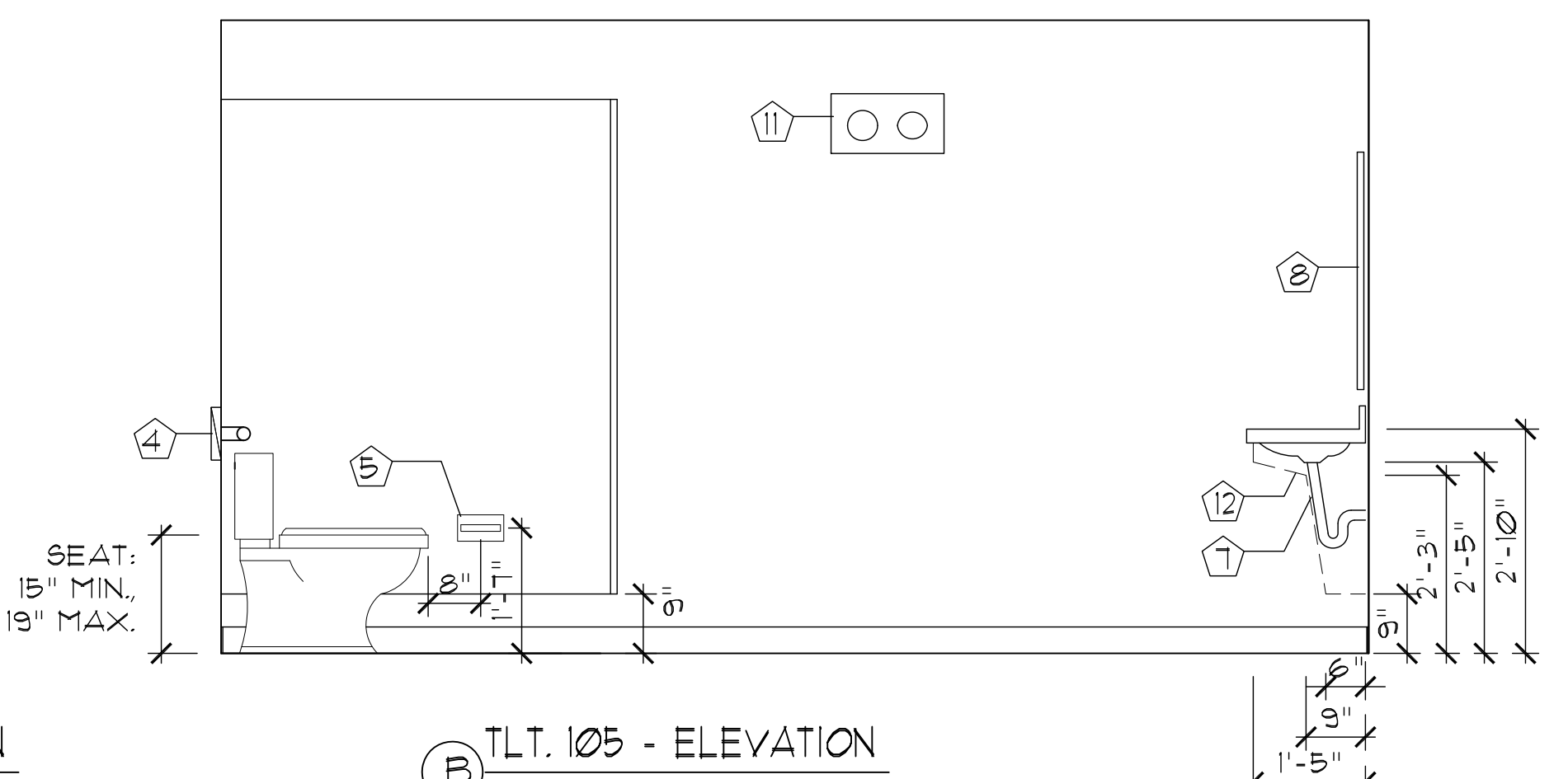
C TLT. 104 - ELEVATION
SCALE: 1/2" = 1'-0"



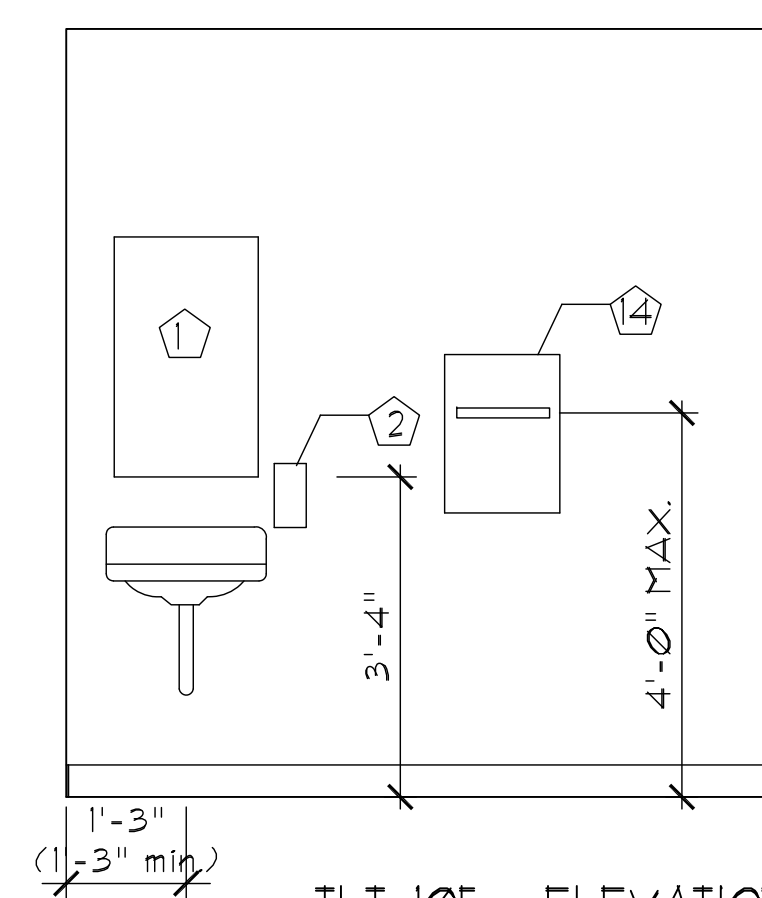
D TLT. 104 - ELEVATION
SCALE: 1/2" = 1'-0"



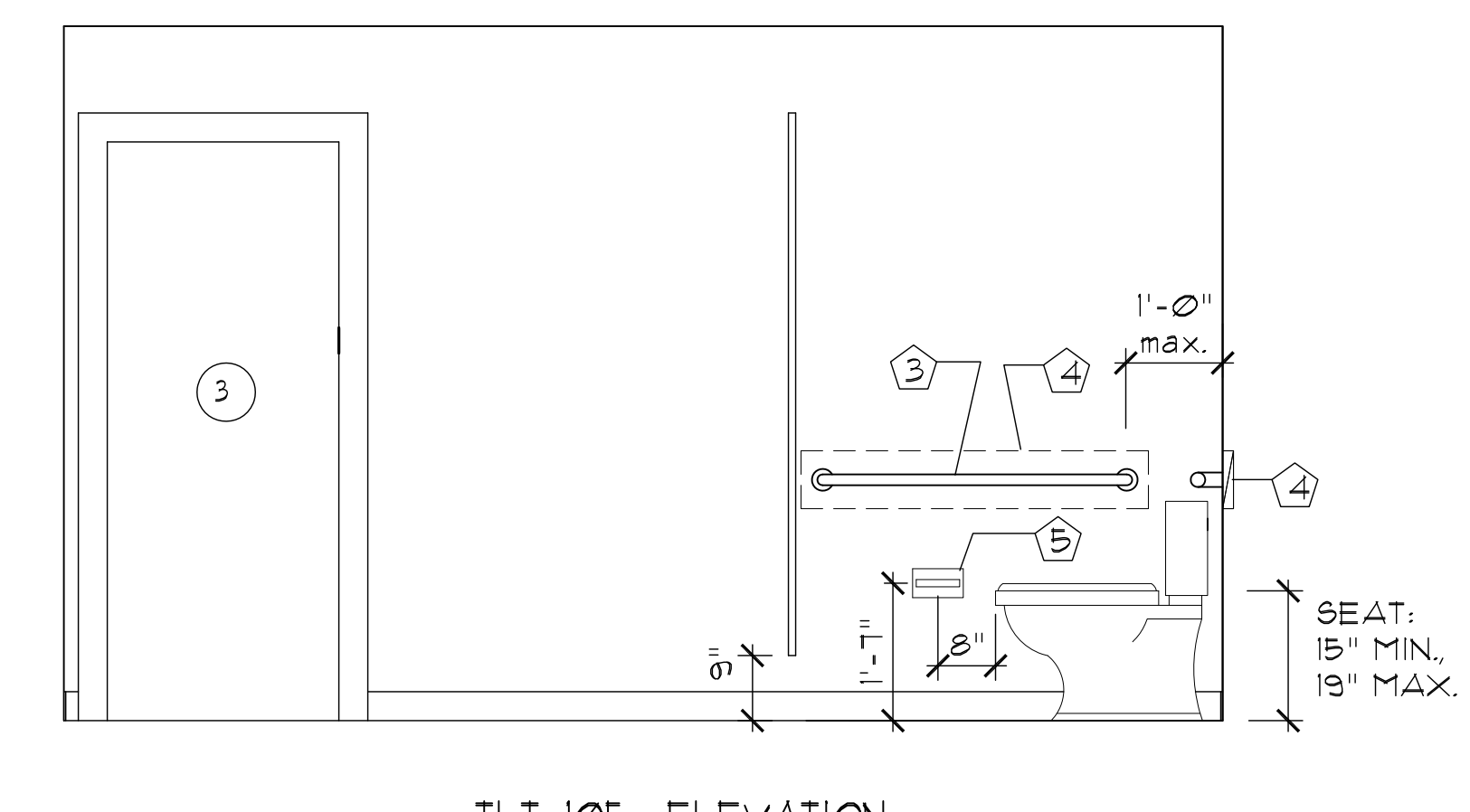
A TLT. 105 - ELEVATION
SCALE: 1/2" = 1'-0"



B TLT. 105 - ELEVATION
SCALE: 1/2" = 1'-0"



C TLT. 105 - ELEVATION
SCALE: 1/2" = 1'-0"



D TLT. 105 - ELEVATION
SCALE: 1/2" = 1'-0"



Builder: **HARDYOND CONSTRUCTION**
7 TEE DRIVE
PORTLAND, MAINE 04103

Architect: **SHIELDS ARCHITECTURE**
CUMBERLAND, MAINE
(207) 776-8926

Date: 6/19/15
Scale: 1/2" = 1'-0"
Project: **INTERIOR FIT-UP**
660 FOREST AVENUE
PORTLAND, MAINE

Drawing: **TOILET ROOM PLANS & ELEVATIONS**