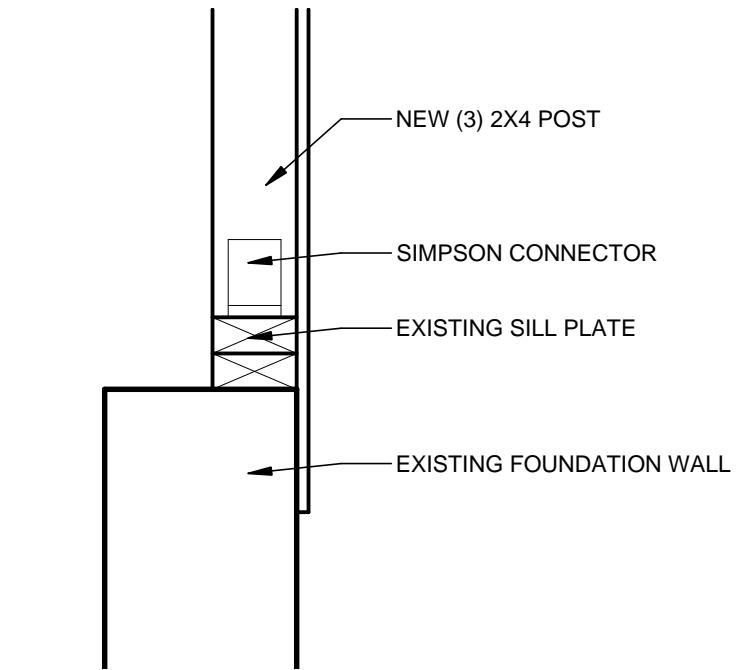


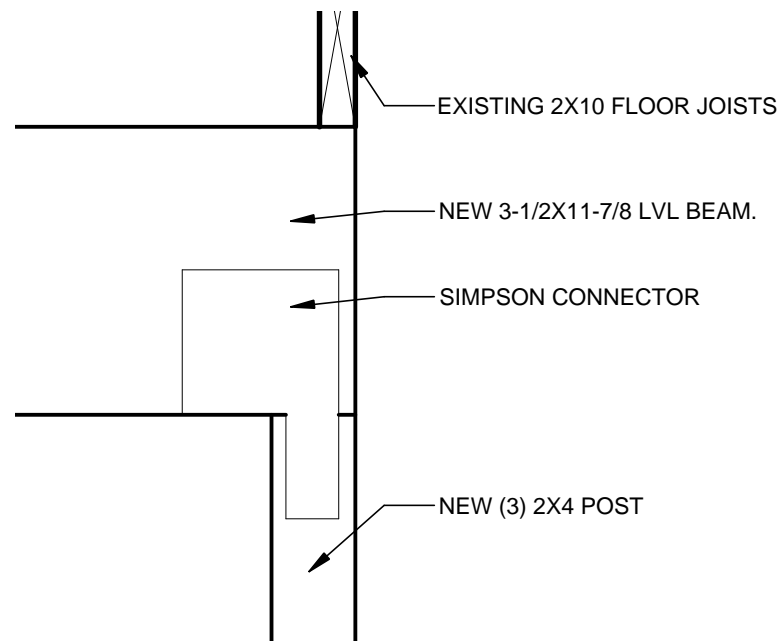
1 SECTION AT NEW BEAM

SCALE - 1-1/2" = 1'-0"



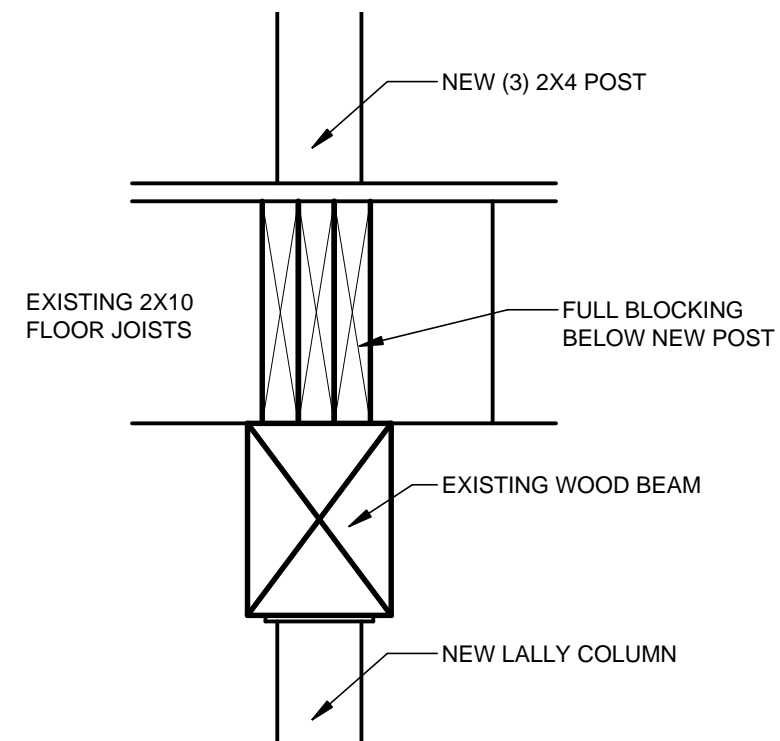
2 POST BASE DETAIL

SCALE - 1-1/2" = 1'-0"



3 POST TO BEAM DETAIL

SCALE - 1-1/2" = 1'-0"



4 POST TO BEAM DETAIL

SCALE - 1-1/2" = 1'-0"

WHITECAP DESIGN
 10 CROSBY STREET
 PORTLAND, ME 04103
 - 207.233.2235 -
 WHITECAPDESIGN.COM

MEYERS RESIDENCE
 57 BAYVIEW DRIVE
 PORTLAND, ME

| PHASE | DATE |
|--------|----------|
| REVIEW | 06.05.14 |
| PERMIT | 06.14.04 |

SHEET:
A4.1