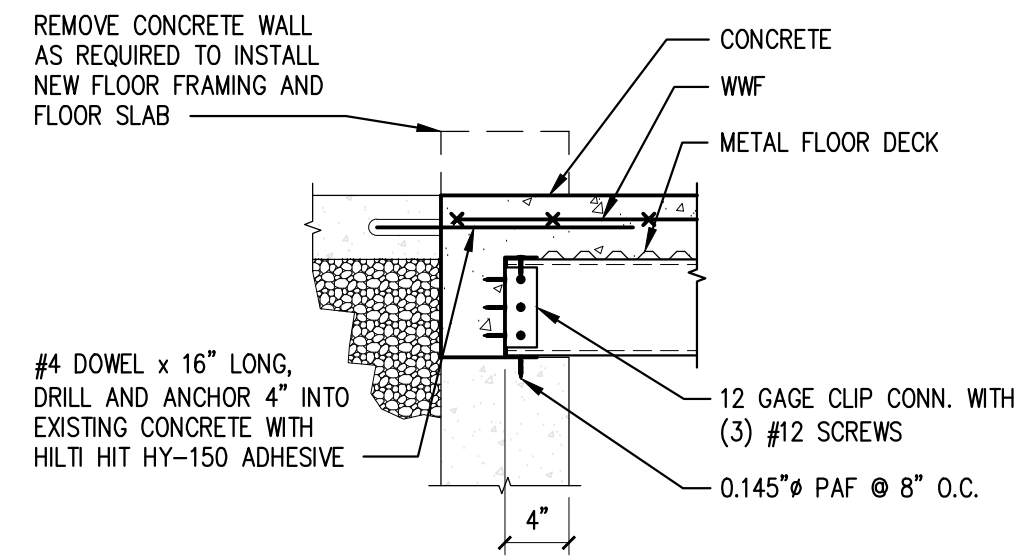


SECTION

SCALE: 1/2"=1'-0"

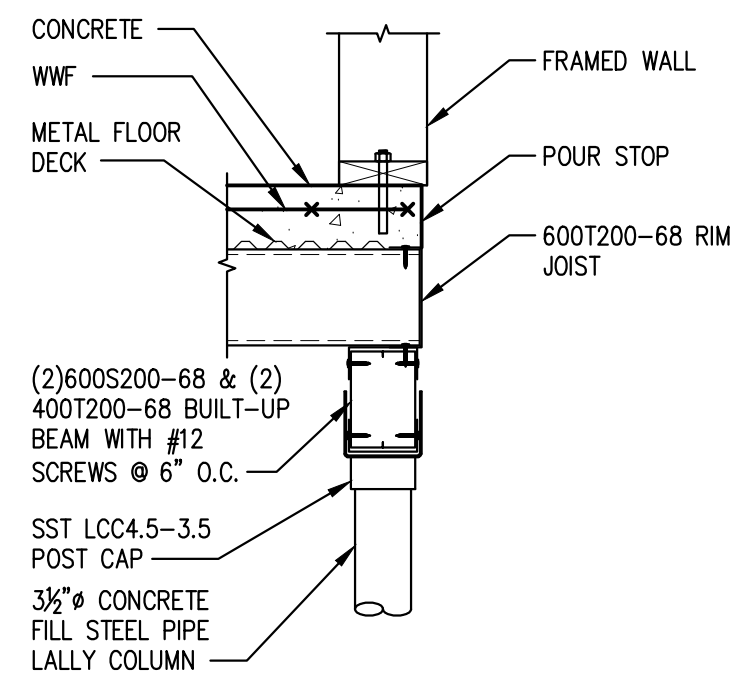
1



DETAIL

SCALE: 1"=1'-0"

A



DETAIL

SCALE: 1"=1'-0"

B

ISSUE		DESCRIPTION
No.	DATE	ISSUED FOR CONSTRUCTION
0	6-13-14	ISSUED FOR CONSTRUCTION
1	4-30-15	REVISED FRAMING

SHEET TITLE:
GARAGE FLOOR SECTS. & DETS.

DESIGNED: PDR
DRAWN: PDR
DATE: 06-13-14
PROJECT No: 14-067 A