

JOIST SPAN	FASTENER SPACING FOR SOUTHERN PINE OR HEM-FIR DECK LEDGER AND 2-INCH NOMINAL SOLID-SAWN SPRUCE-PINE-FIR BAND JOIST (DECK LIVE LOAD=40PSF, DECK DEAD LOAD=10PSF)						
	6'-0" AND LESS	6'-1" AND 8'-0"	8'-1" AND 10'-0"	10'-1" AND 12'-0"	12'-1" AND 14'-0"	14'-1" AND 16'-0"	16'-1" AND 18'-0"
CONNECTION DETAILS	ON-CENTER SPACING OF FASTENERS						
2" DIAMETER LAG SCREW WITH 1/2" MAXIMUM SHEATHING	30	23	18	15	13	11	10
2" DIAMETER LAG SCREW WITH 1/2" MAXIMUM SHEATHING	36	36	34	29	24	21	19
2" DIAMETER LAG SCREW WITH 1/2" MAXIMUM SHEATHING & 1/2" STACKED WASHERS	36	36	29	24	21	18	16

(REF. TABLE R507.2)

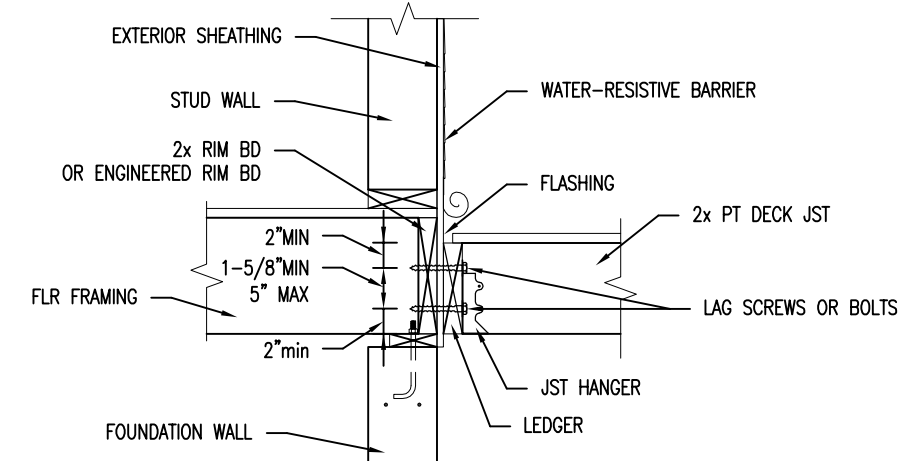


FIGURE R507.2.1  
PLACEMENT OF LAG SCREWS AND BOLTS IN BAND JOISTS

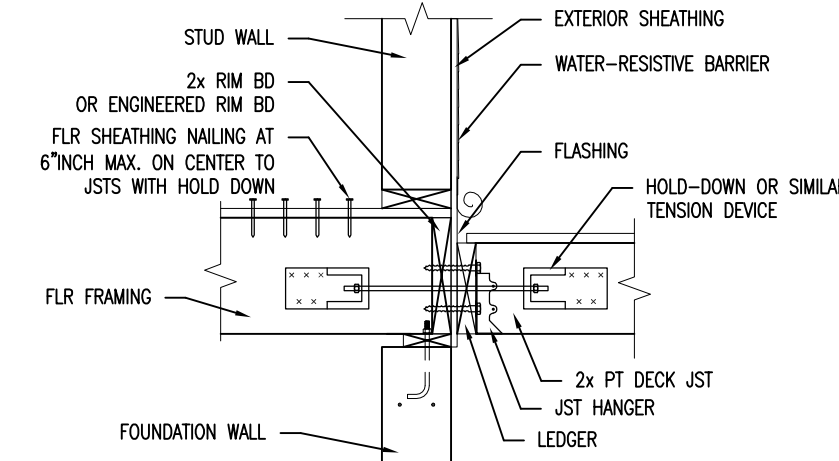
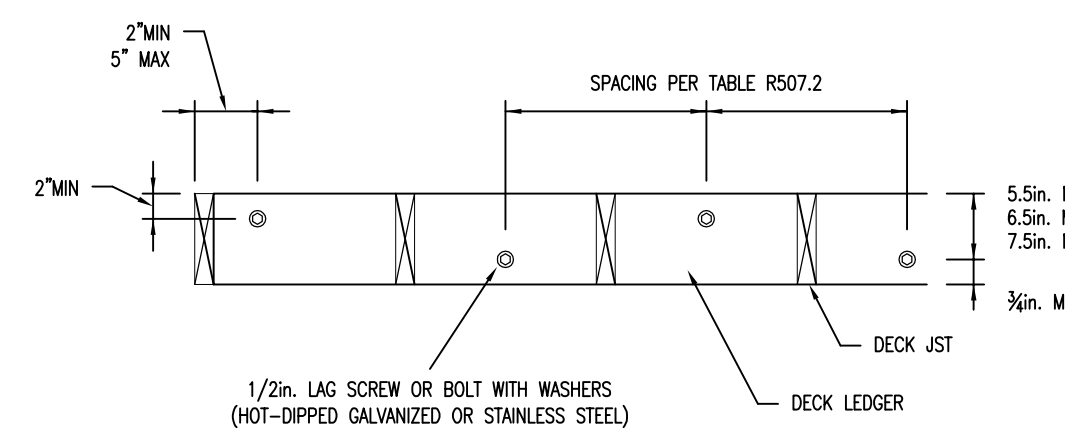
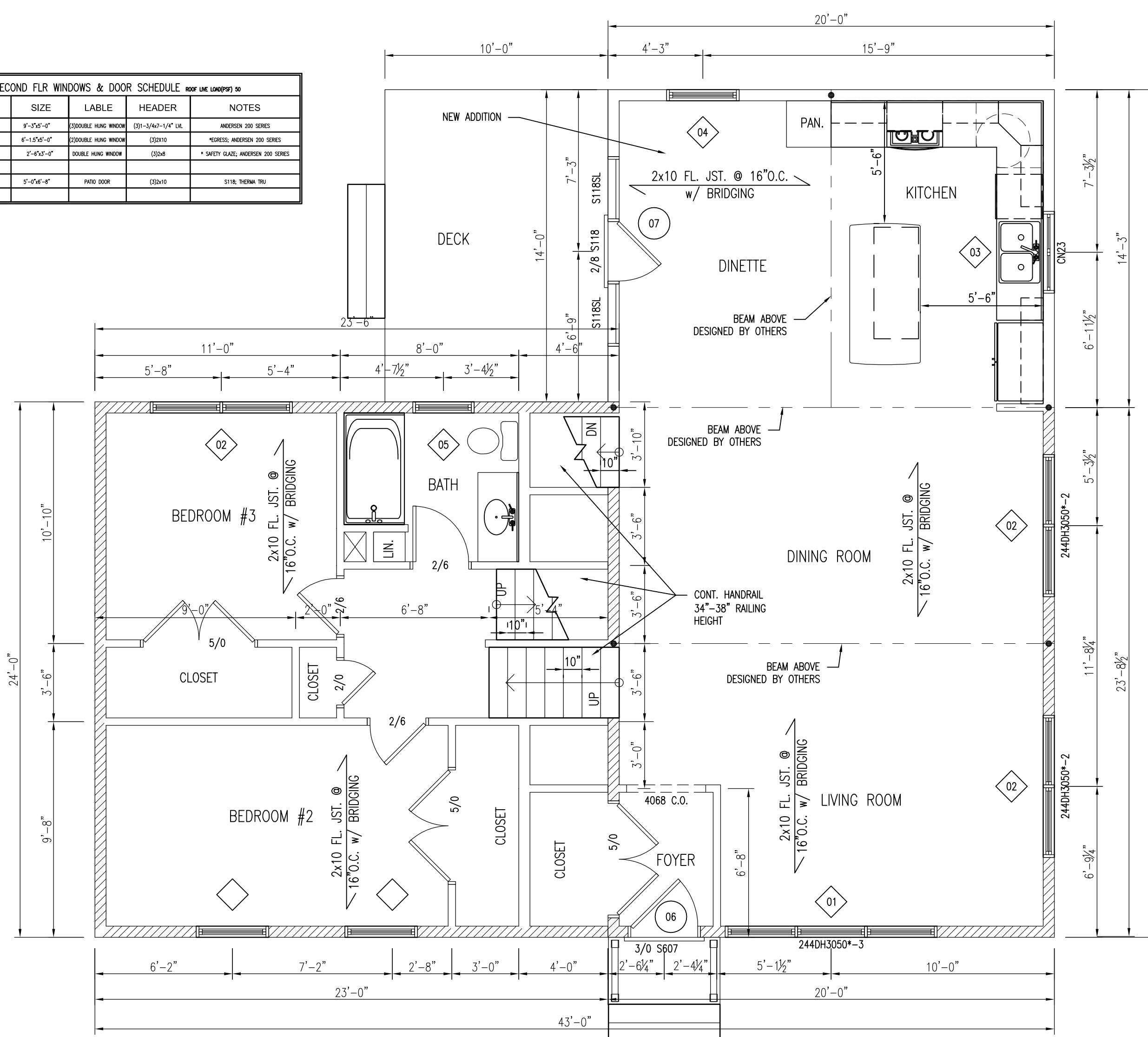


FIGURE R507.2.3  
DECK ATTACHMENT FOR LATERAL LOADS



1/2" LAG SCREW OR BOLT WITH WASHERS (HOT-DIPPED GALVANIZED OR STAINLESS STEEL)

DOOR #	SIZE	LABEL	HEADER	NOTES
01	6'-0" x 8'-0"	DOOR	2x4-12" x 12" LK	MINOR 200 SERIES
02	6'-0" x 8'-0"	DOOR	2x4-12" x 12" LK	MINOR 200 SERIES
03	7'-0" x 8'-0"	DOOR	2x4-12" x 12" LK	* SAFETY GLASS AND/OR 200 SERIES
01	5'-0" x 8'-0"	POSS DOOR	2x4-12" x 12" LK	5118, THERMA TRU



FIRST FLOOR PLAN  
1/4" = 1'-0"

ANDERSEN WINDOWS NFRC CERTIFIED UNIT PERFORMANCE		
ANDERSEN WINDOWS PRODUCT TYPE:	U-FACTOR	HP LOW-E WITH GRILLS
CASEMENT/WINDOW & PICTURE WINDOW	0.31	0.29
200 SERIES DOUBLE-HUNG	0.45	0.54
400 SERIES DOUBLE-HUNG	0.31	0.28
TILT-WASH TRANSOM	0.31	0.28
GLIDER	0.32	0.26

\*ANDERSEN NFRC CERTIFIED TOTAL UNIT PERFORMANCE

- NOTE:
- EACH SLEEPING AREA
  - OUTSIDE EACH SEPARATE SLEEPING AREA IN THE IMMEDIATE VICINITY OF THE BEDROOM.
  - ON EACH ADDITIONAL STORY OF THE DWELLING INCLUDING BASEMENT.
  - ALL SMOKE ALARMS SHALL BE INTERCONNECTED.
  - FIRE SEPARATION PER TOWN OR LOCAL CODE WHEN REQUIRED.

\* EGRESS WINDOW

CONSTRUCTION NOTE:  
CONTRACTOR TO VERIFY GRADE, STRUCTURAL INTEGRITY OF EXISTING STRUCTURE AND ALL DIMENSIONS IN FIELD BEFORE STARTING NEW CONSTRUCTION. DESIGN SHOWN MAY DIFFER FROM ACTUAL FINISHED CONSTRUCTION. FINAL MATERIALS, WINDOW/DOOR LOCATIONS AND SIZES, TO BE DETERMINED PER OWNER/CONT. C LOCAL CODES.

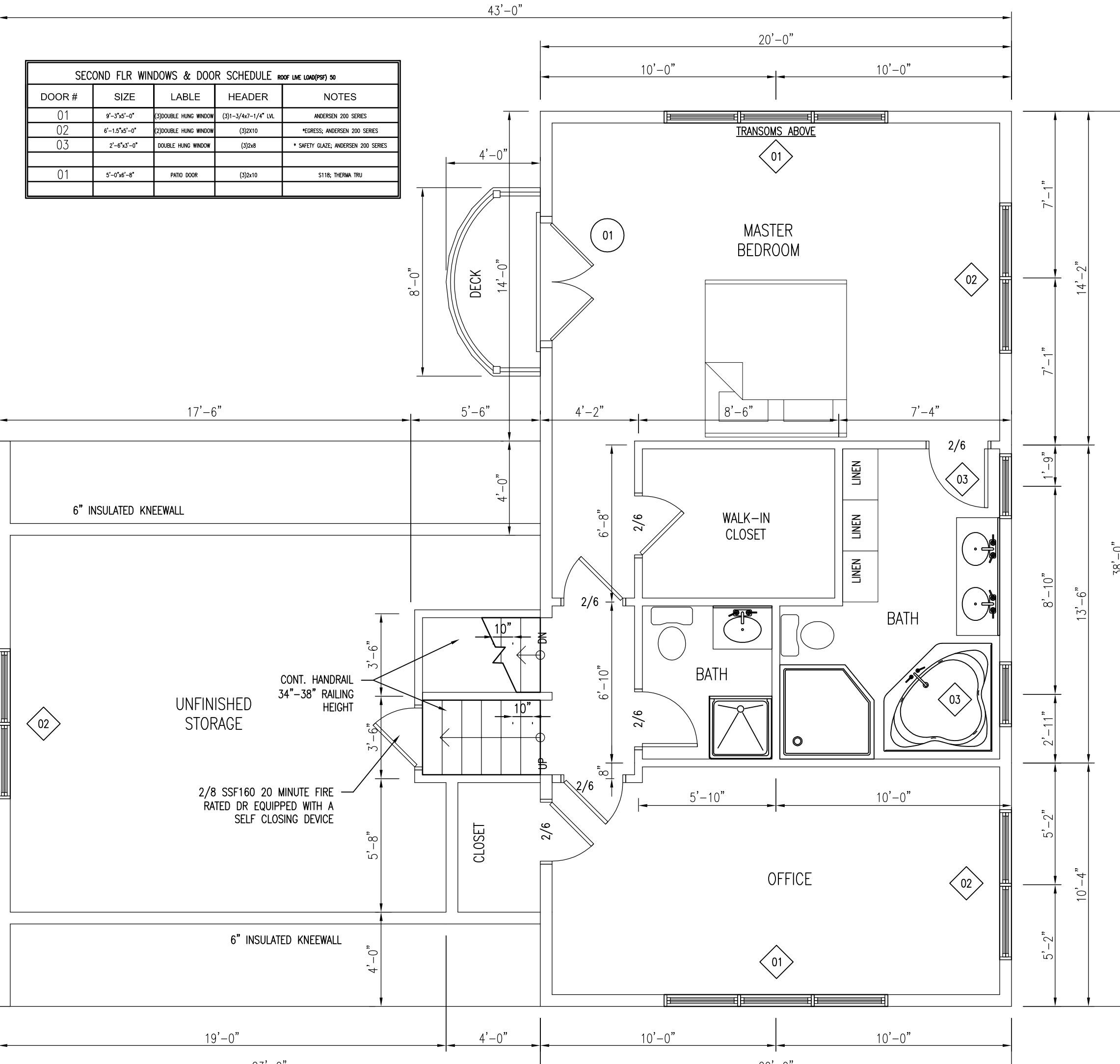
ANDERSEN WINDOWS NFRC CERTIFIED UNIT PERFORMANCE		
ANDERSEN WINDOWS PRODUCT TYPE:	U-FACTOR	HP LOW-E WITH GRILLS
CASEMENT/WINDOW & PICTURE WINDOW	0.31	0.29
200 SERIES DOUBLE-HUNG	0.45	0.54
400 SERIES DOUBLE-HUNG	0.31	0.28
TILT-WASH TRANSOM	0.31	0.28
GLIDER	0.32	0.26

\*ANDERSEN NFRC CERTIFIED TOTAL UNIT PERFORMANCE

- NOTE:
- EACH SLEEPING AREA
  - OUTSIDE EACH SEPARATE SLEEPING AREA IN THE IMMEDIATE VICINITY OF THE BEDROOM.
  - ON EACH ADDITIONAL STORY OF THE DWELLING INCLUDING BASEMENT.
  - ALL SMOKE ALARMS SHALL BE INTERCONNECTED.
  - FIRE SEPARATION PER TOWN OR LOCAL CODE WHEN REQUIRED.

\* EGRESS WINDOW

CONSTRUCTION NOTE:  
CONTRACTOR TO VERIFY GRADE, STRUCTURAL INTEGRITY OF EXISTING STRUCTURE AND ALL DIMENSIONS IN FIELD BEFORE STARTING NEW CONSTRUCTION. DESIGN SHOWN MAY DIFFER FROM ACTUAL FINISHED CONSTRUCTION. FINAL MATERIALS, WINDOW/DOOR LOCATIONS AND SIZES, TO BE DETERMINED PER OWNER/CONT. C LOCAL CODES.



new SECOND FLOOR PLAN  
1/4" = 1'-0"



Proposed 1st & 2nd Floor Plans  
Portland Remodel  
Portland, ME

DRAWINGS ARE PROVIDED BY SOUTHERN MAINE DRAFTING & DESIGN AS A SERVICE TO HIS CUSTOMERS AND ARE INTENDED FOR INFORMATIONAL AND ILLUSTRATIVE PURPOSES ONLY. THE INFORMATION PRESENTED IN THESE DRAWINGS IS BASED ON THE INFORMATION PROVIDED BY THE CLIENT. SOUTHERN MAINE DRAFTING & DESIGN SUGGESTS THAT HIS CUSTOMERS SEEK THE SERVICES OF A LICENSED ARCHITECT OR REGISTERED ARCHITECT TO OBTAIN PERMITS AND BLUE PRINTS. THE INFORMATION PROVIDED IN THESE DRAWINGS IS NOT TO BE USED AS A BASIS FOR CONSTRUCTION AND SOUTHERN MAINE DRAFTING & DESIGN DISCLAIMS ANY RESPONSIBILITY IF THEY ARE SO USED.

Revisions:	
05/29/14	REVISED PLANS

Date : 05/29/14  
Scale : 1/4"=1'-0"  
Drawn By: JTM  
Project: A041014  
Sheet Number: