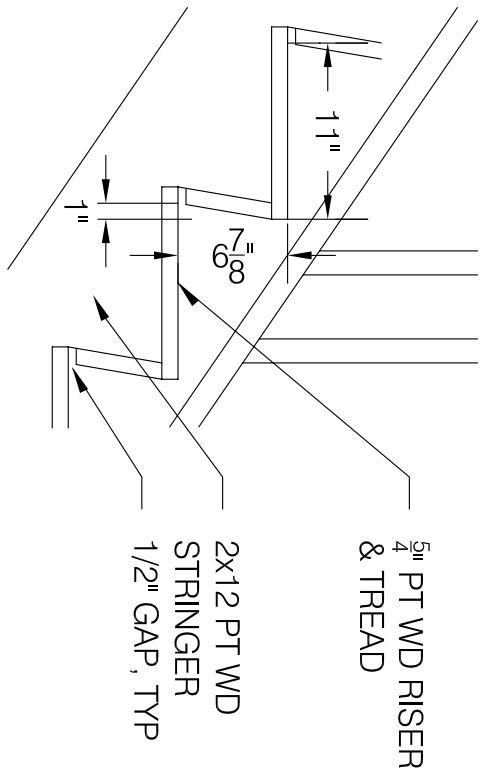


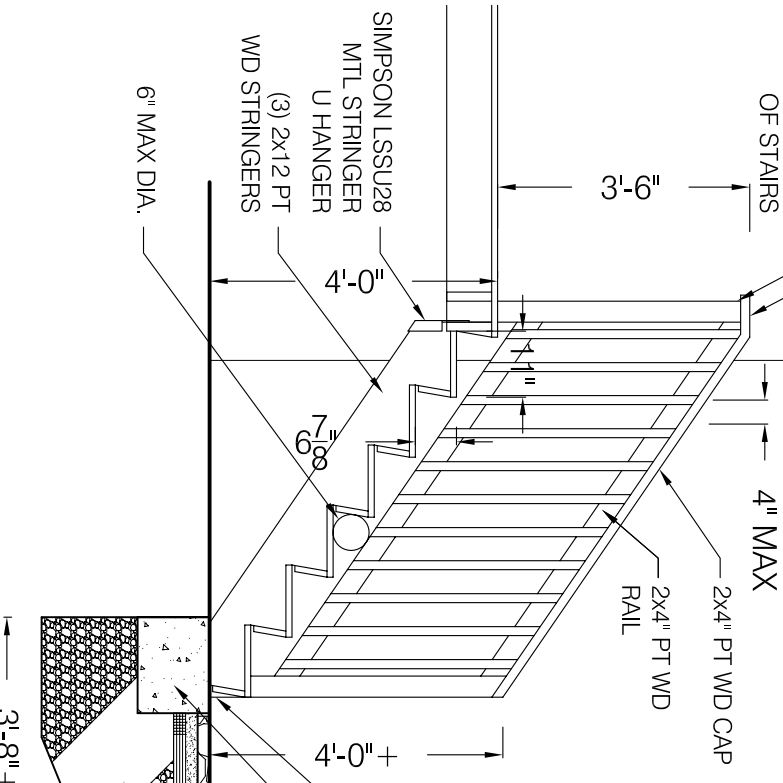
DECK STAIR PLAN

REUSED EXISTING FIELDSTONE (OWNER SUPPLIED)



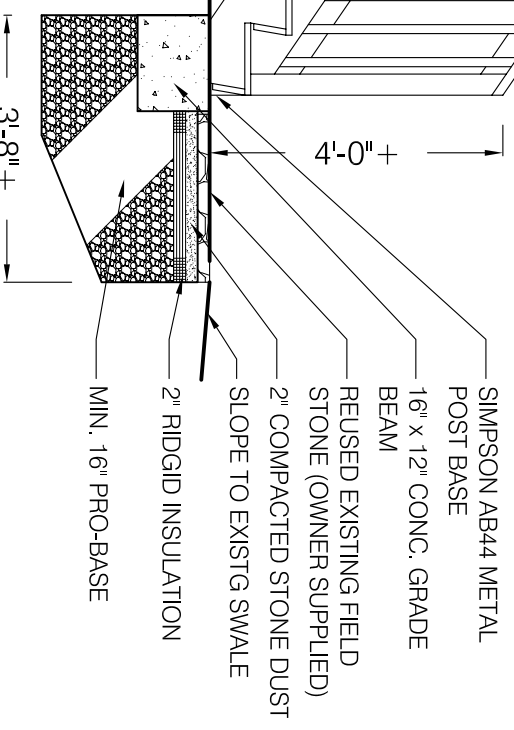
RISER & TREAD DETAIL

1" = 1'-0"



DECK STAIR ELEVATION

3/8" = 1'-0"



SUPPLEMENTAL INSTRUCTION

ARCADIA
designworks LLC
199 prospect st., suite A
portland, maine 04103
tele: 207.347.5252
207.749.9306
ideate@arcadiadesignworks.com

PROJECT:
MICHAELSON RESIDENCE
ADDITION
PORTLAND, MAINE

DATE: 06/06/2014

SCALE: 3/8" = 1'-0"

TITLE:
DECK-STAIR-PLAN&ELEV

SK. NO.:
A-1