

75 CHENEY  
ST FRONT AWNING

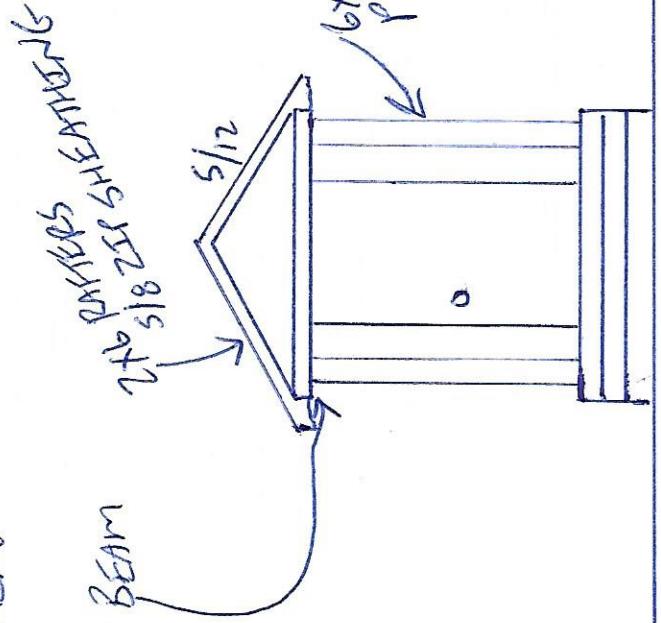
ERA BERRY  
776-8344

1/4" = 1'

FRONT WALL  
MAIN HOUSE

\* AWNING EXTENDS  
4' FROM MAIN  
HOUSE

- AZEX TRIM
- V-MATCH CEILING
- ASPHALT ROOFING
- 1/2" CDX GABLE SHEATHING
- 2X4 COLLAR TIES
- 2X6 DOUBLE CARRYING BEAM



1 - 6' 1