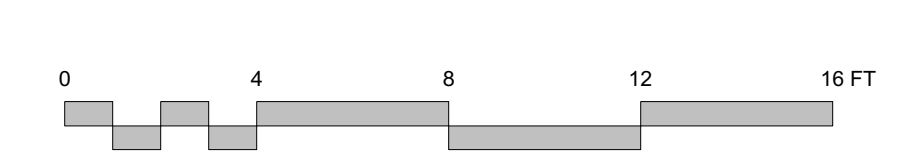
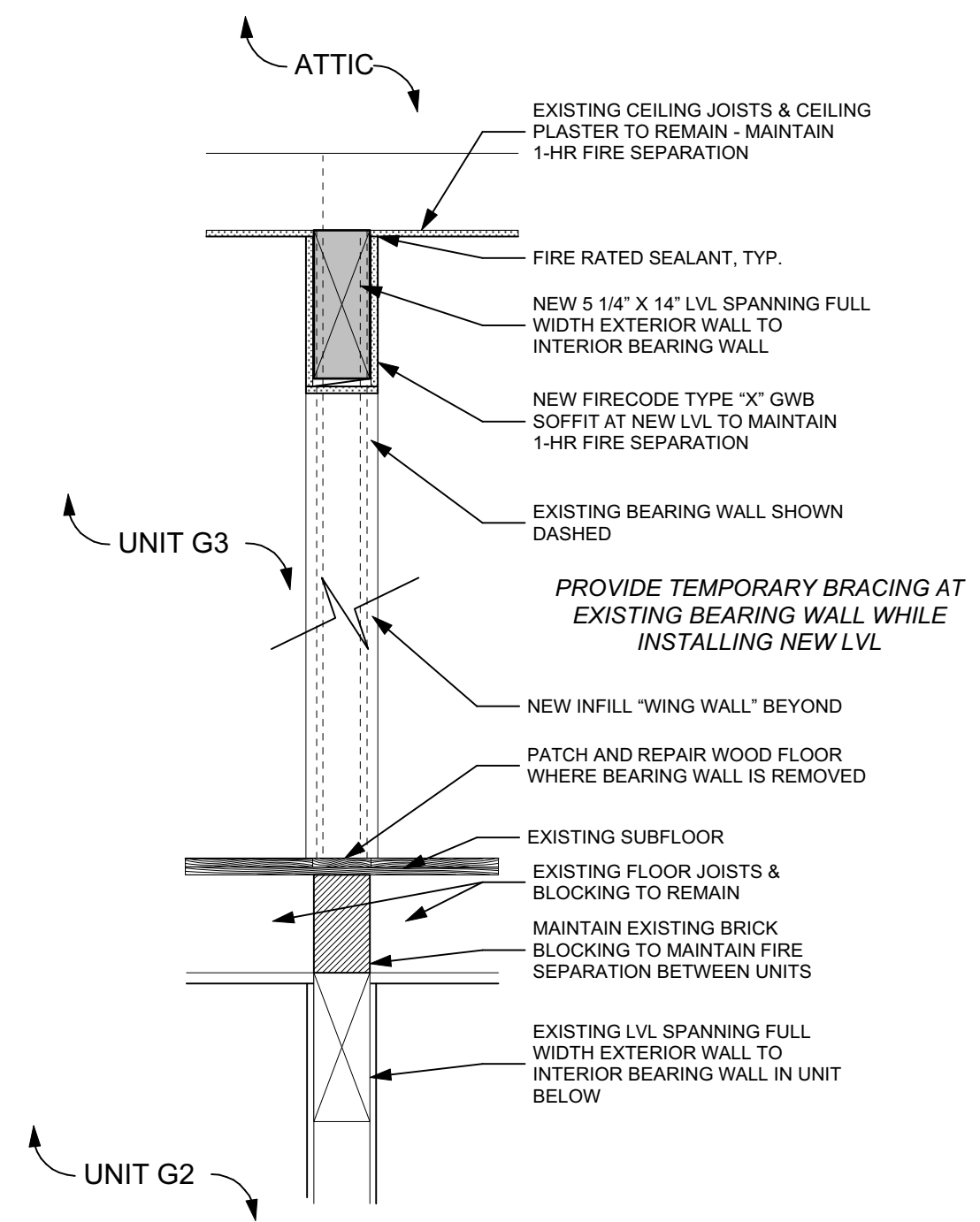


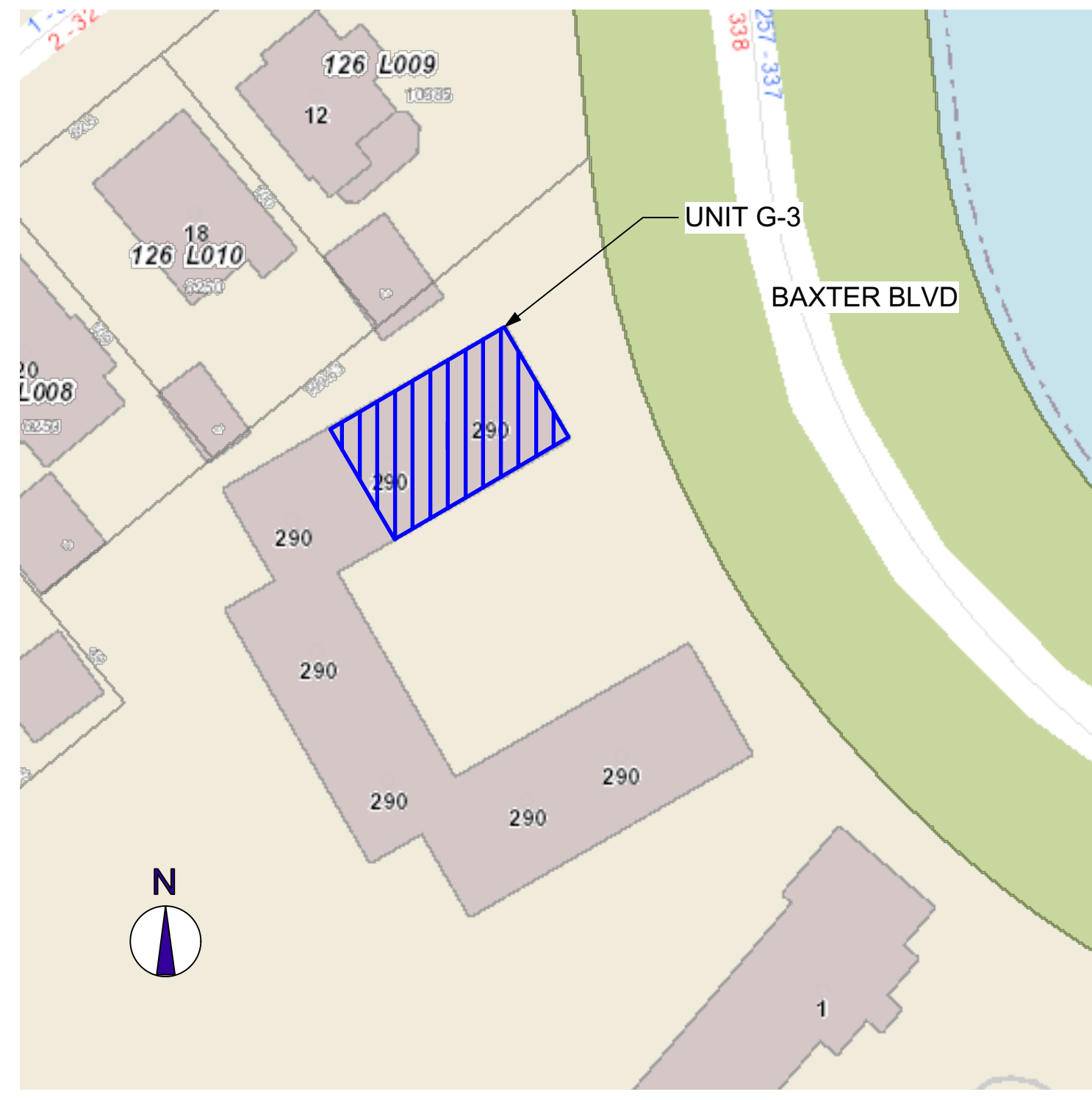
1 FLOOR PLAN  
Scale: 1/4" = 1'-0"



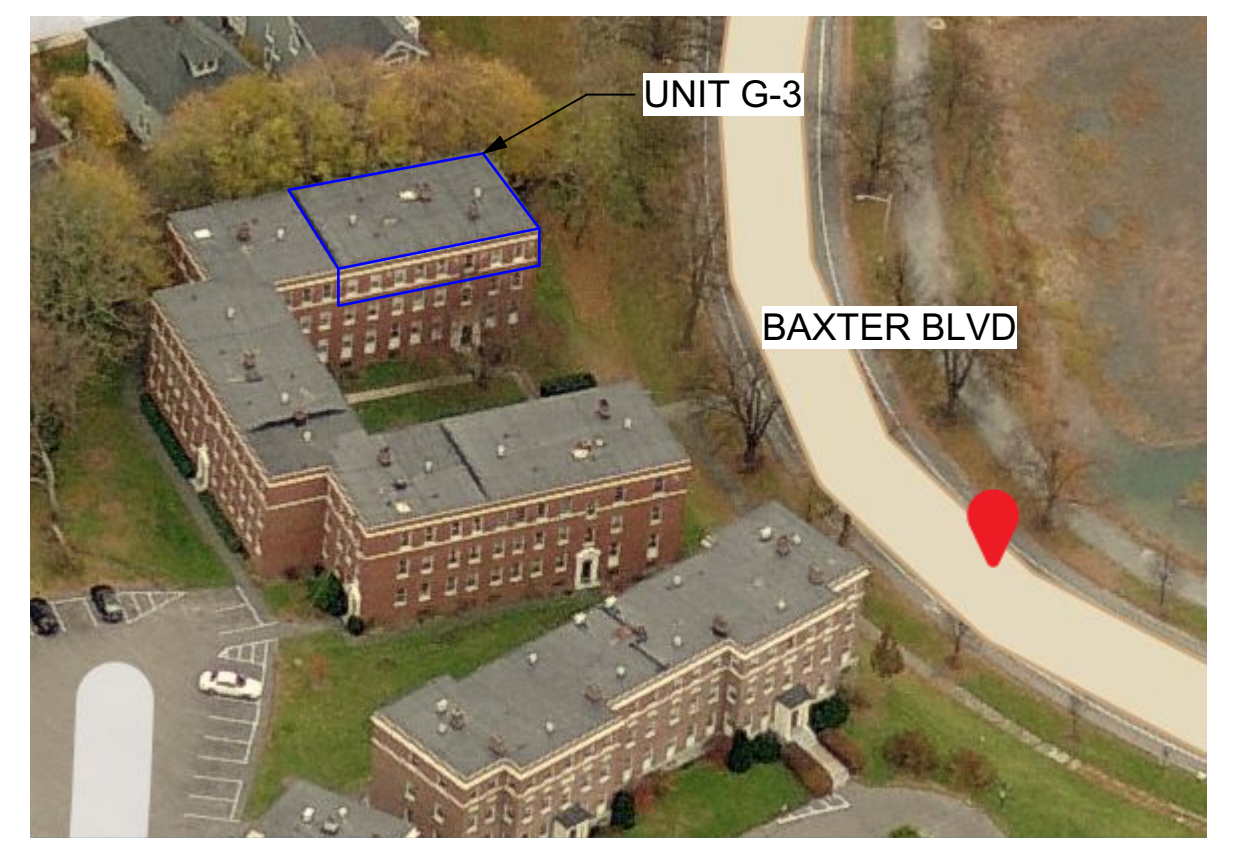
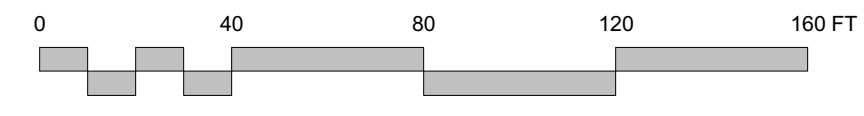
- EXISTING WALL
- NEW / INFILL WALL
- DEMO WALL
- 1 HR. FIRE RATING



3 WALL SECTION  
Scale: 3/4" = 1'-0"



4 SITE PLAN  
Scale: 1" = 40 ft



5 UNIT G-3 POSITION

**PERMIT SET**

Design Firm <b>CORNERSTONE</b> BUILDING & RESTORATION	Project Title <b>290 BAXTER BLVD</b> UNIT G3 PORTLAND, MAINE	Sheet Status <b>PROGRESS SET</b>	Project Number <b>17.12</b>	Date <b>02-10-2017</b>	
		Revisions <b>1 02-27-17 SITE PLAN &amp; UNIT POSITION</b> <b>2</b> <b>3</b>	Sheet Title <b>UNIT G3 PLAN</b>	Sheet Scale <b>1/4" = 1'-0" UNO</b>	Sheet No. <b>A1.1</b>
		CAD File Number <b>CLIENT PLAN</b>			