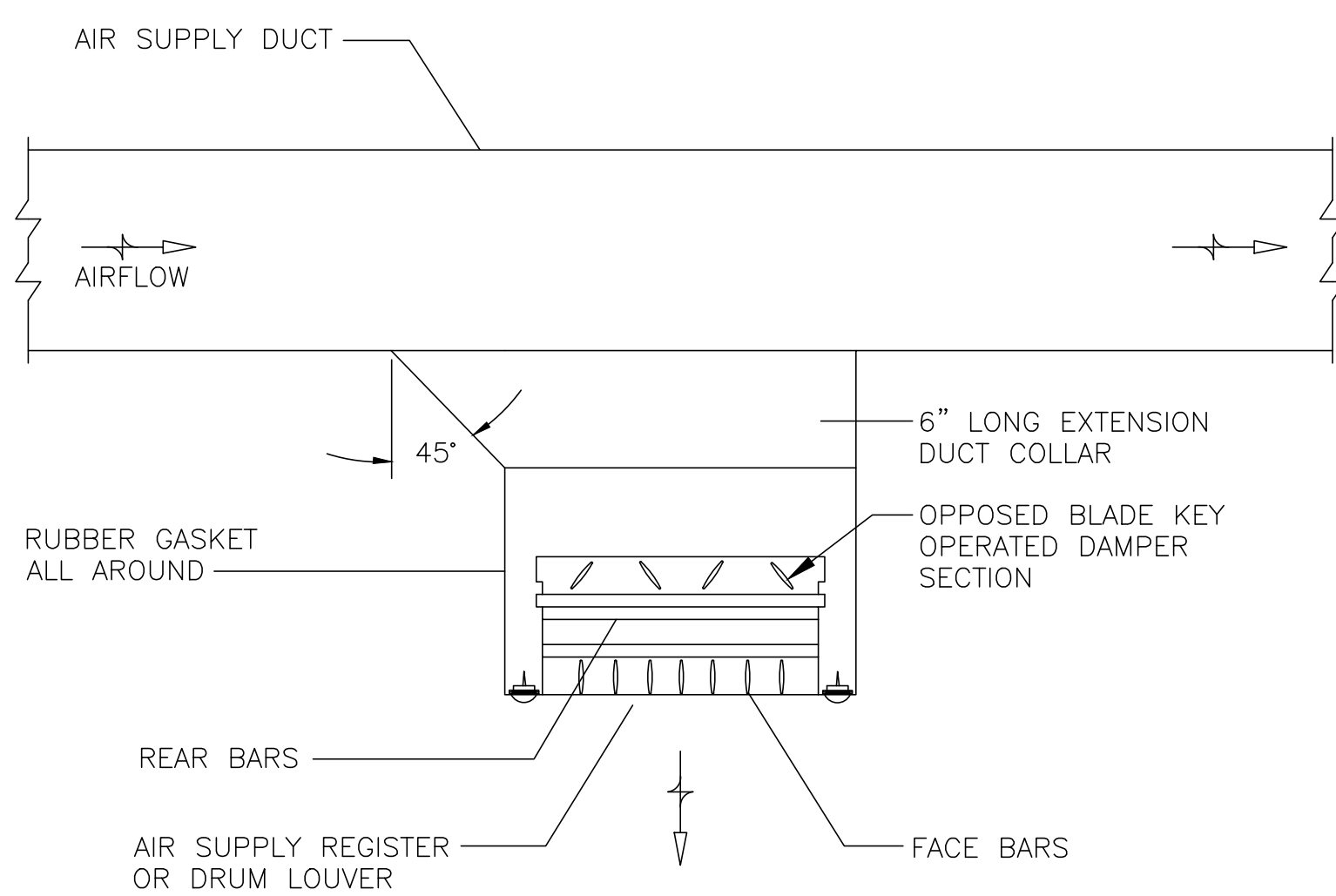
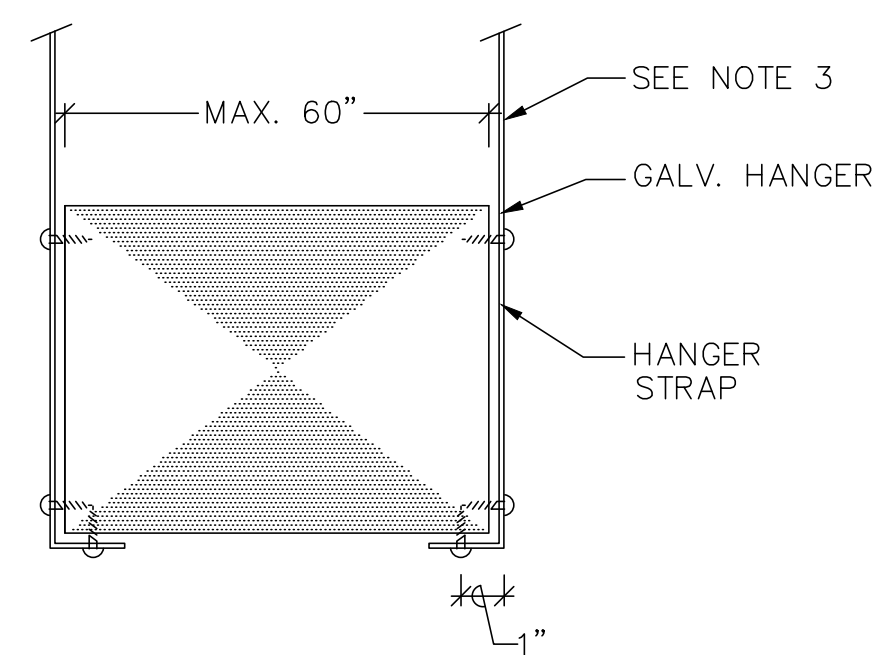


**SUPPLY OR RETURN AIR DUCT CONNECTION DETAIL**  
SCALE: NONE

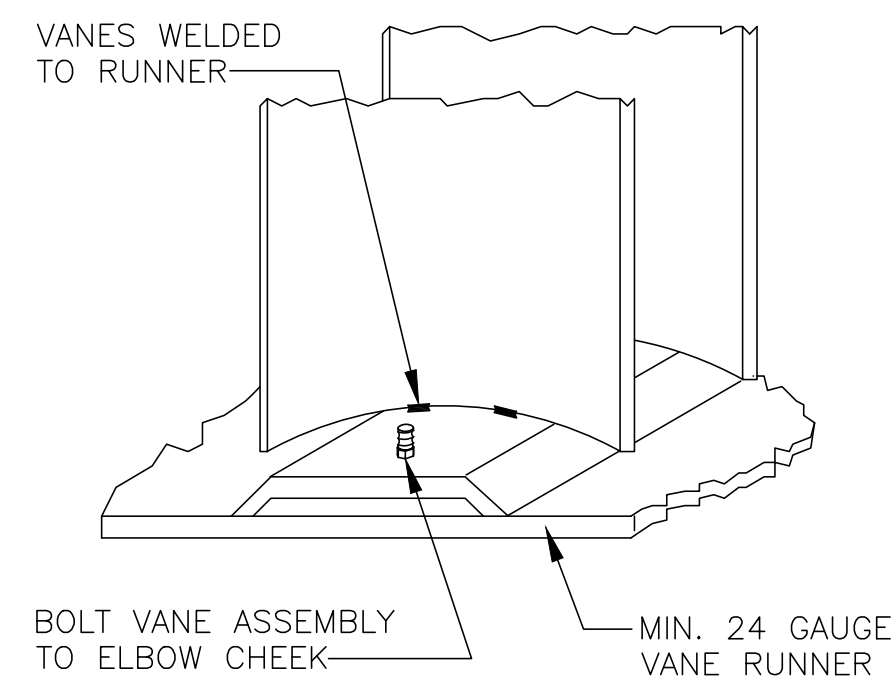


**SUPPLY AIR REGISTER DETAIL**  
SCALE: NONE

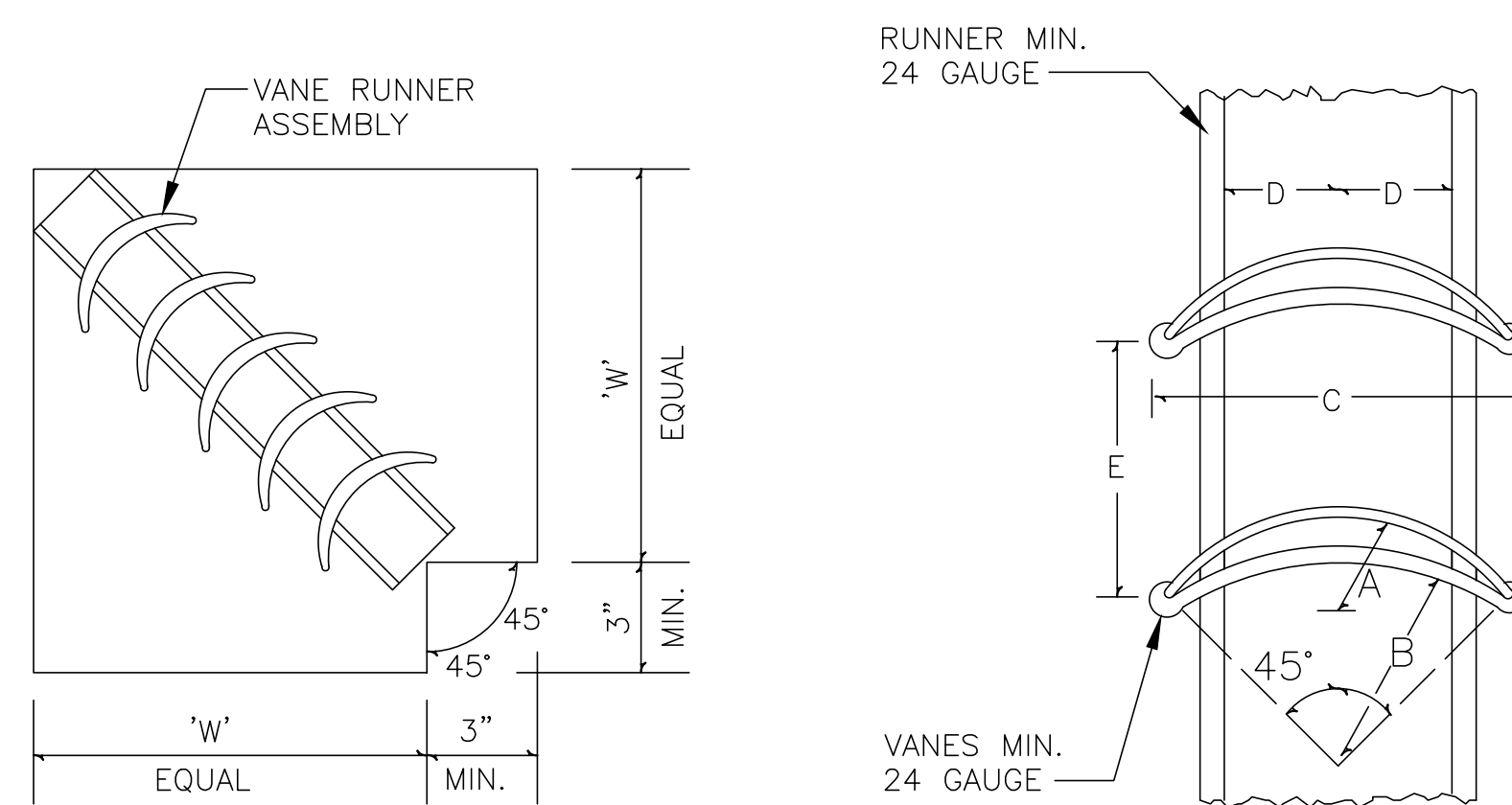


NOTES:  
1. CUTTING AND PATCHING SHALL BE LIMITED TO A MINIMUM AS REQUIRED FOR PROPER INSTALLATION.  
2. SUPPORTS SHALL BE SPACED AND SIZED AS PER SMACNA.

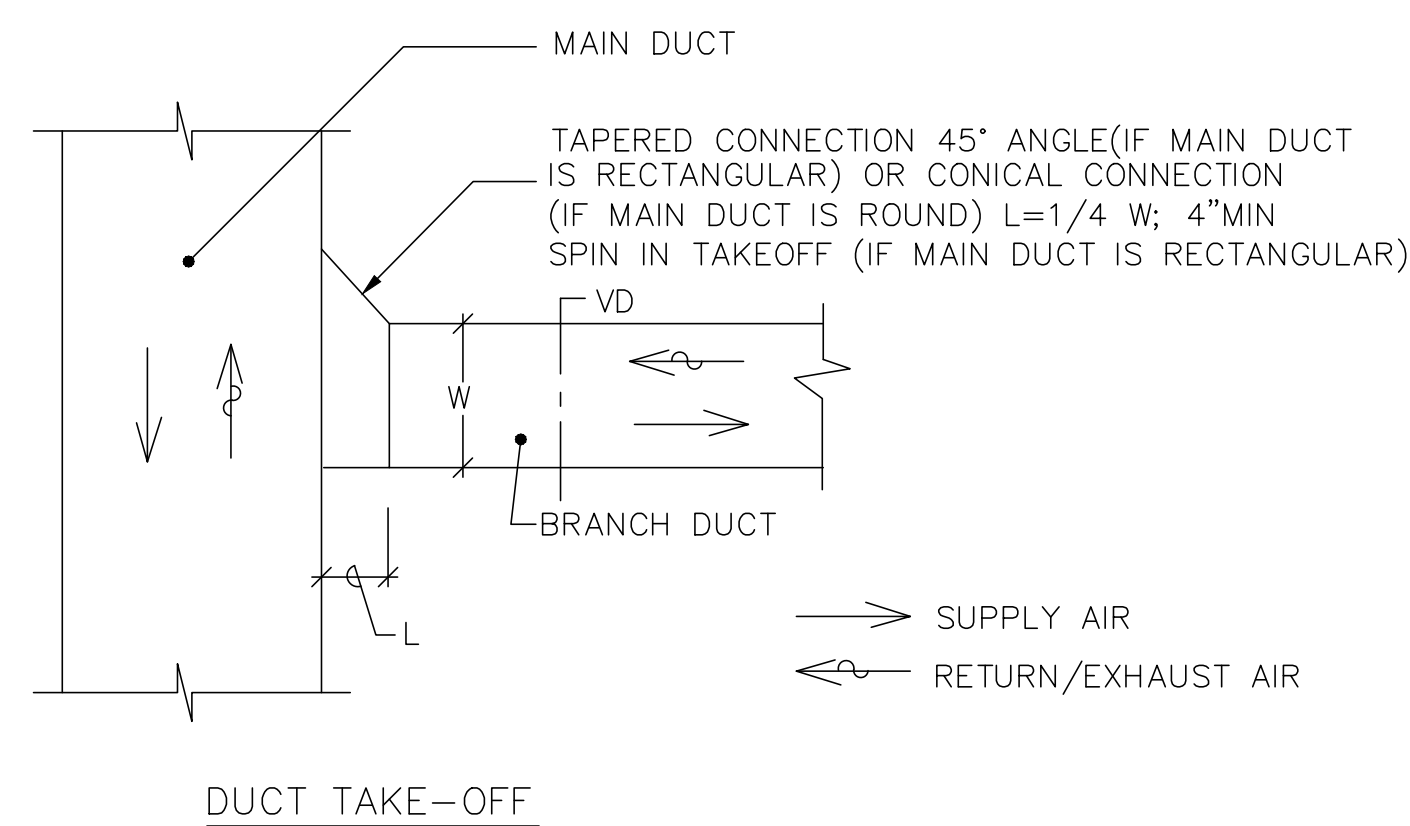
**DUCT HANGER DETAIL**  
SCALE: NONE



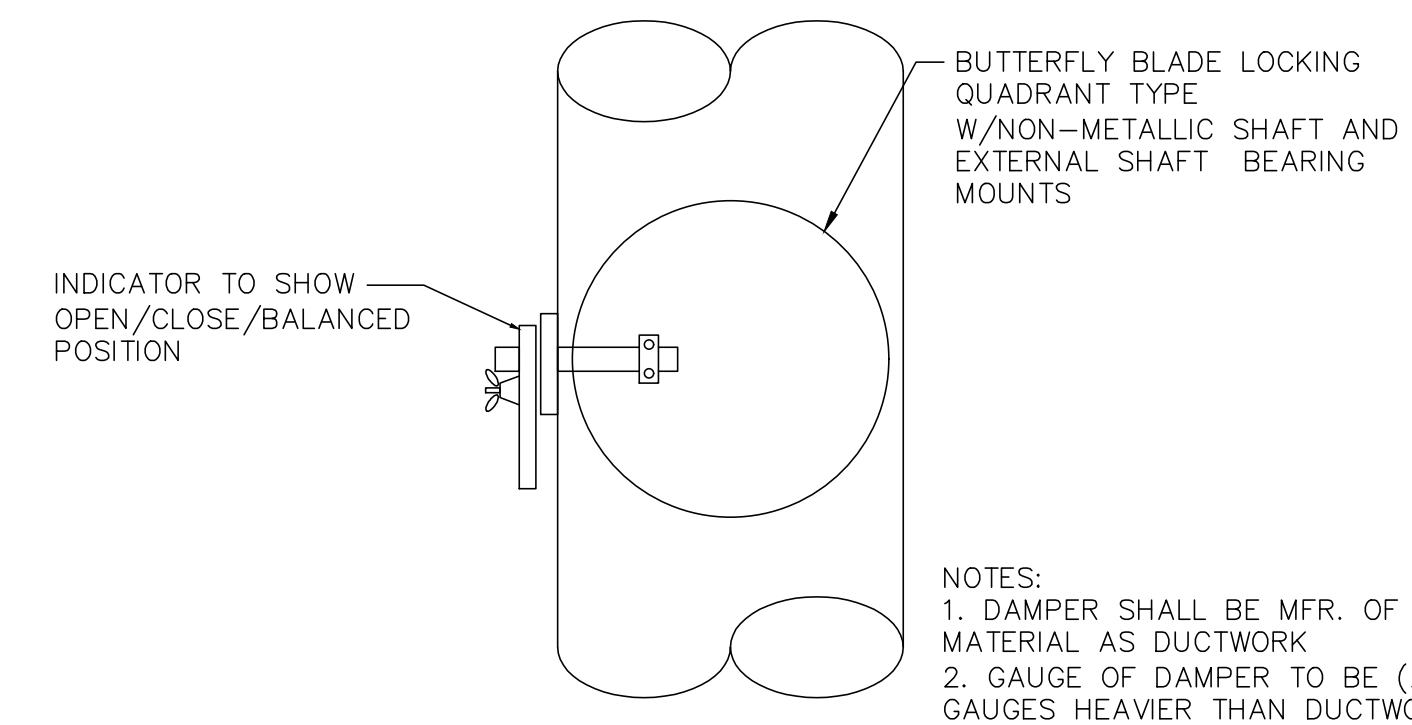
DIM.	'W' 20" & OVER	'W' 19" & UNDER
A	2-1/4" R	1" R
B	4-1/4" R	2" R
C	6-3/8"	2-7/8"
D	2-1/4"	1-1/8"
E	3-1/4"	2-1/8"



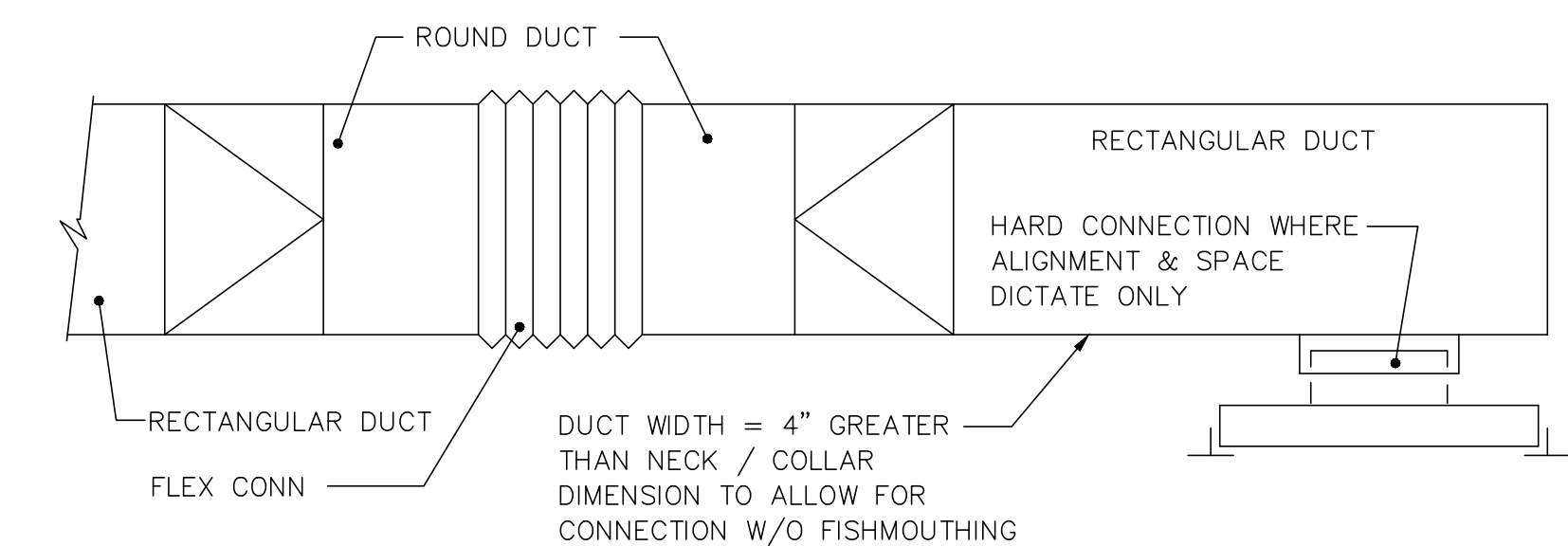
**VANED ELBOW DETAIL**  
SCALE: NONE



**BRANCH TAKE-OFFS**  
SCALE: NONE



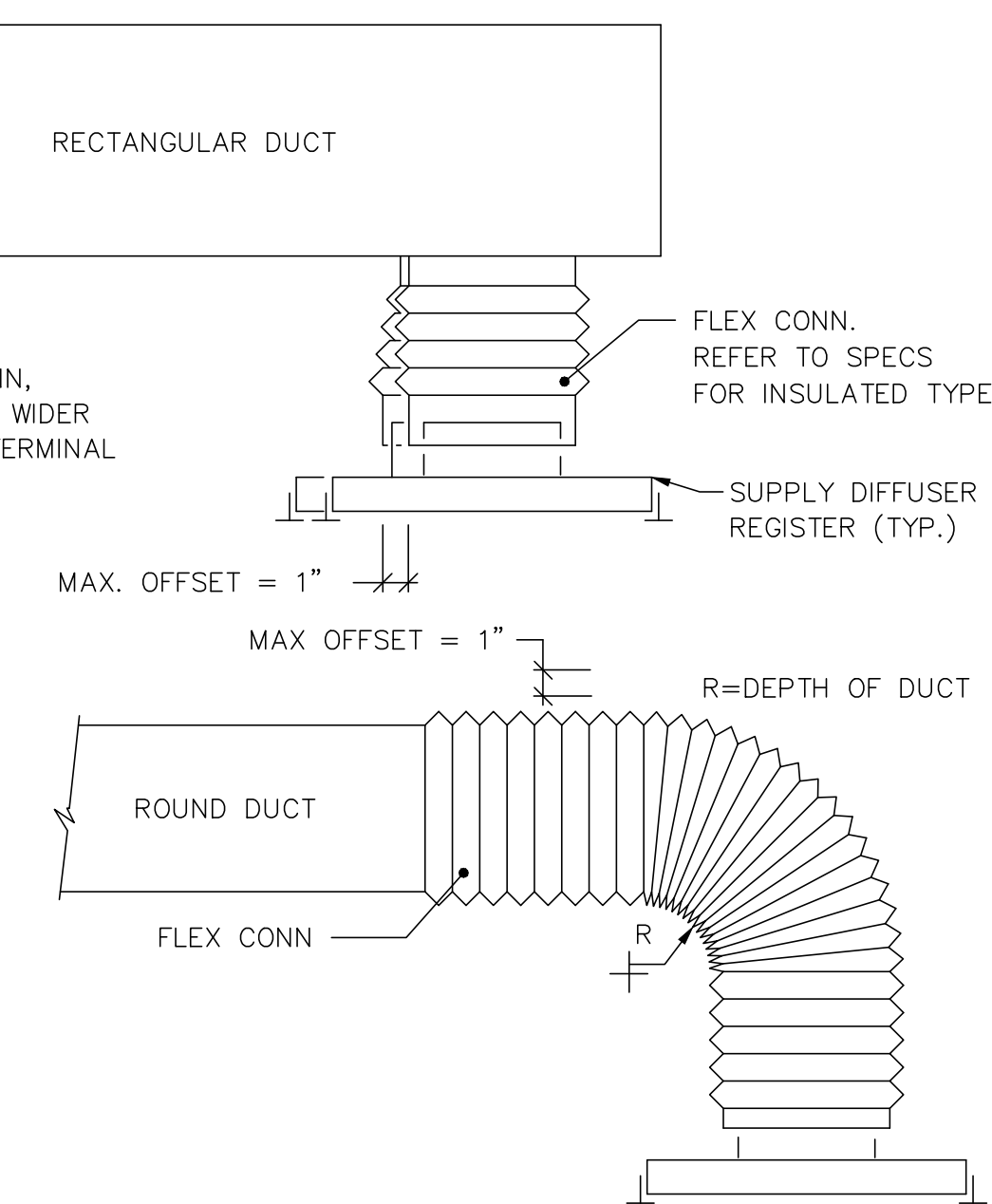
**ROUND VOLUME DAMPER DETAIL**  
SCALE: NONE



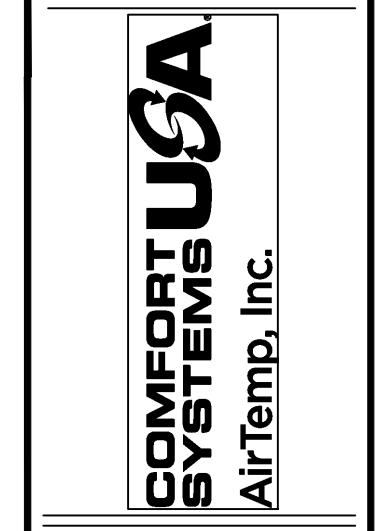
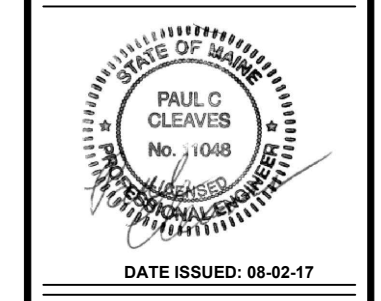
WHEN HEIGHT DOES NOT ALLOW FLEX CONN, HARD-DUCT BUT BE SURE BRANCH IS 4" WIDER THAN COLLAR TO ALLOW ALIGNMENT OF TERMINAL WITHIN GRID WITHOUT FISHMOUTHING.

NOTES:  
1. THESE DETAILS ALLOW DUCTWORK TO BE PROVIDED BEFORE CEILING GRID IS INSTALLED THEN DIFFUSER/REGISTER CAN BE POSITIONED INTO GRID.  
2. PROVIDE INSULATED TRANSITION ROUND TO SQUARE IF REQUIRED AT DIFFUSER.  
3. PROVIDE NYLON TY-WRAP TOOL OR REUSABLE SS DRAW BAND PER SPECS.  
4. FLEX DUCT SHALL NOT HAVE MORE THAN 1/2" SAG PER FOOT.  
5. LENGTH OF FLEX DUCT SHALL NOT EXCEED 6'-0".  
6. PROVIDE DUCT MOUNTED VOLUME DAMPER WHENEVER POSSIBLE. TRY TO AVOID NECK DAMPERS.

**TYPICAL DIFFUSER/REGISTER CONNECTION**  
SCALE: NONE



AirTemp Inc.  
20 Thomas Drive  
Westbrook, Maine



ALTA VISTA LLC  
495 FOREST AVE  
PORTLAND, MAINE

CLIENT  
DATE  
DRWN BY BRL  
CHK'D BY PCC  
DATE AUG. 02, 2017  
SHEET TITLE  
HVAC DETAILS

SCALE  
N.T.S.

DRAWING  
M-4

01 ISSUED FOR REVIEW 08-02-17