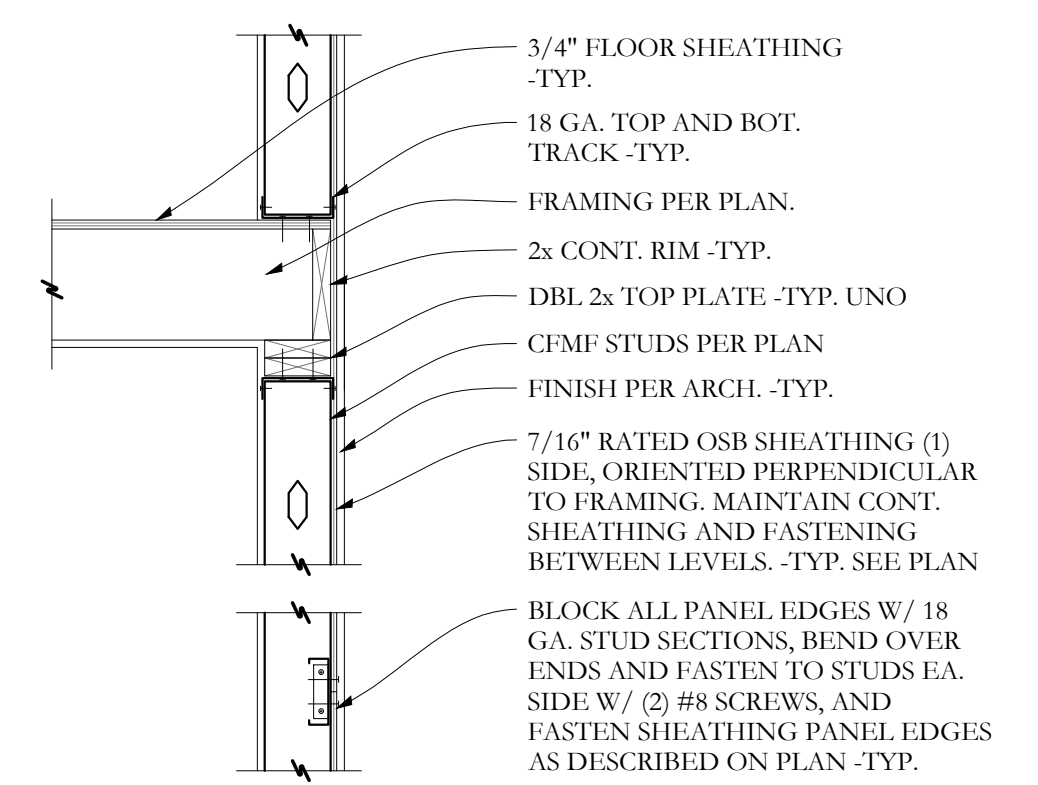
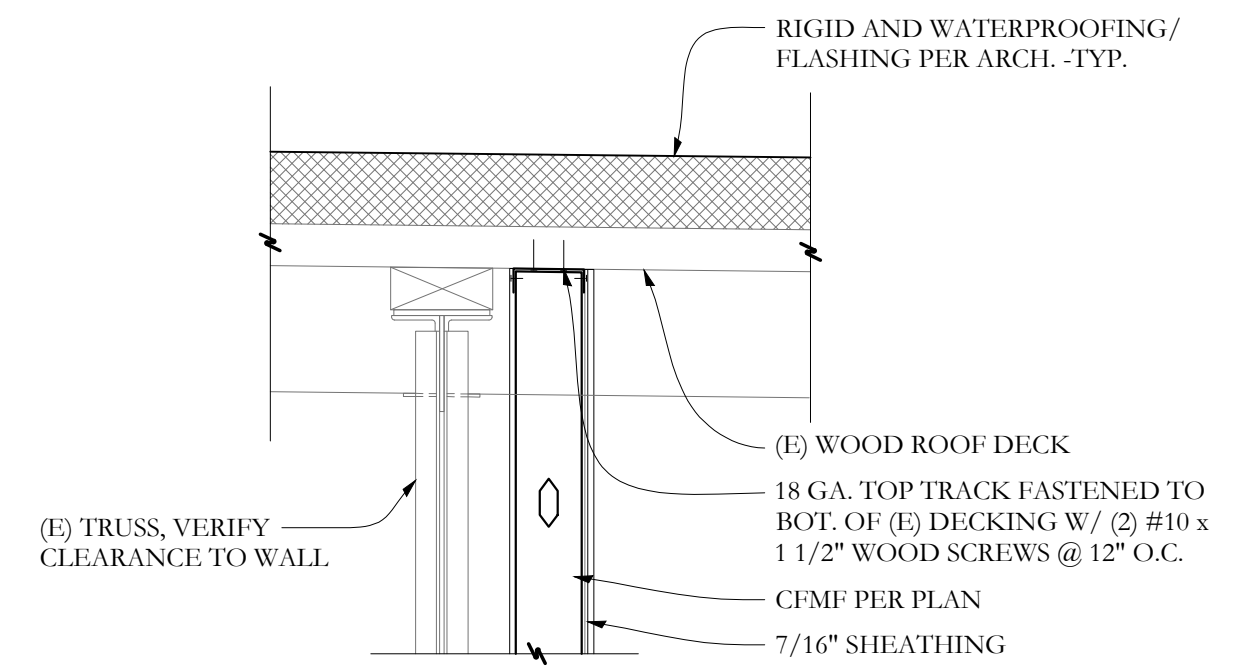


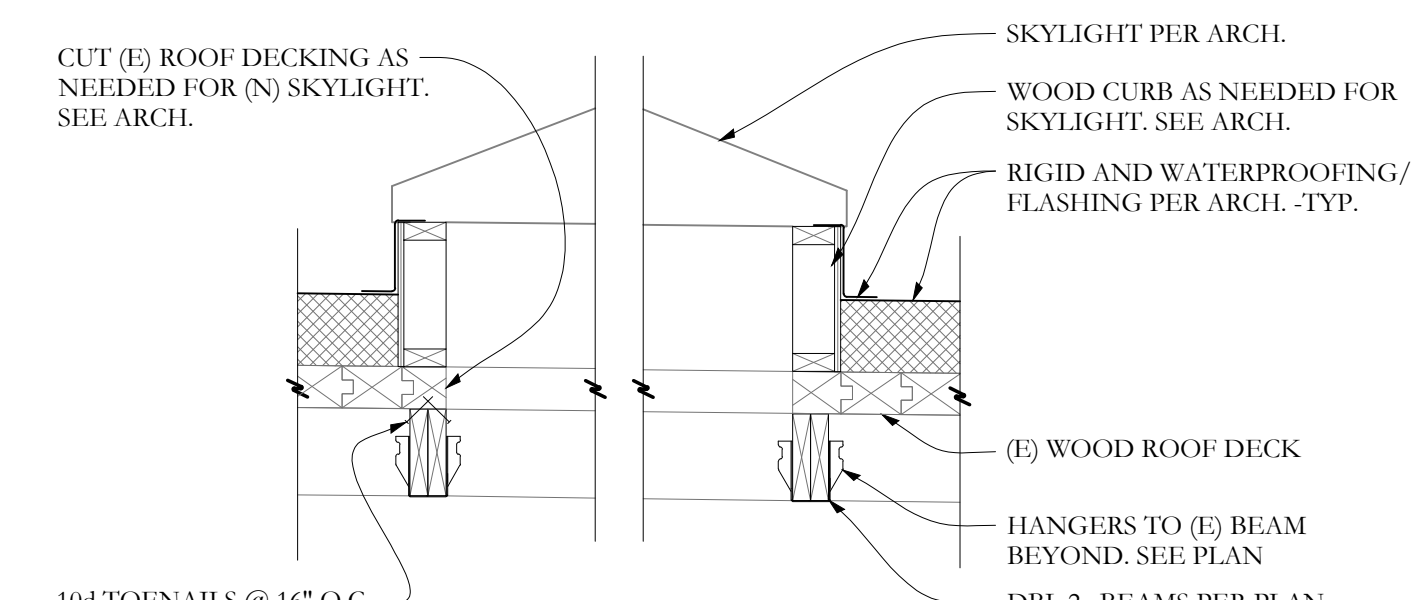
SECTION **J** 3/4"=1'-0



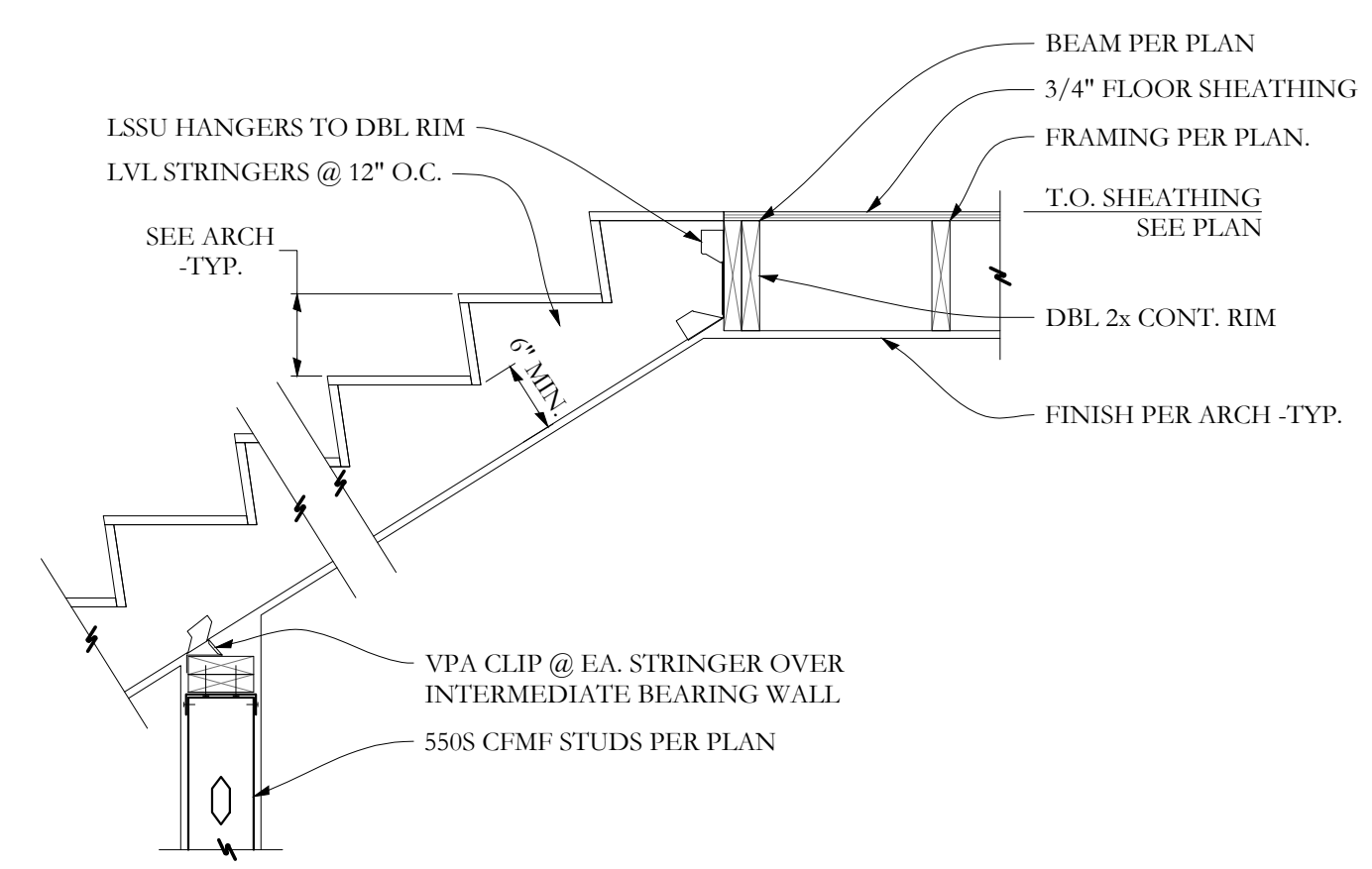
SECTION **L** 3/4"=1'-0



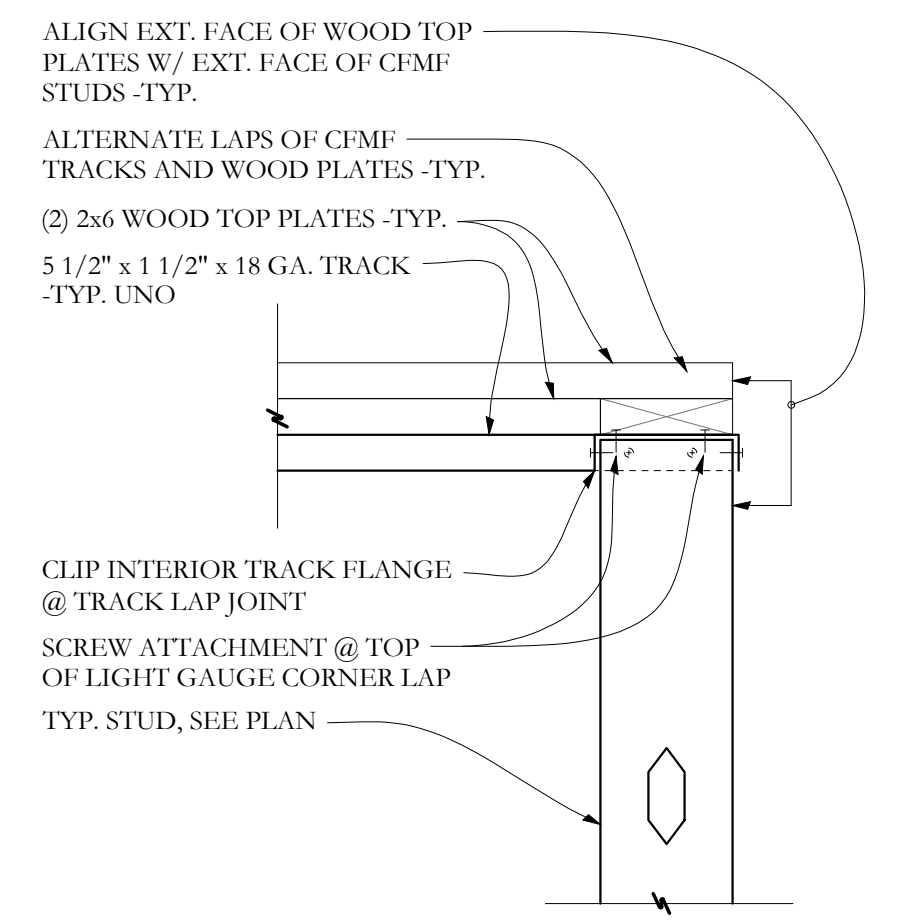
SECTION **M** 3/4"=1'-0



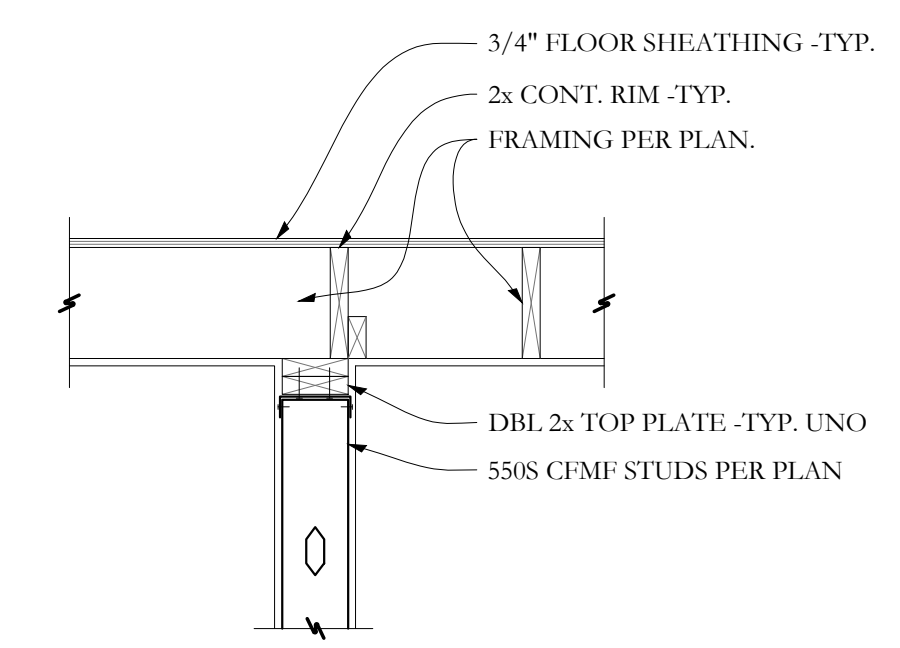
SECTION **N** 3/4"=1'-0



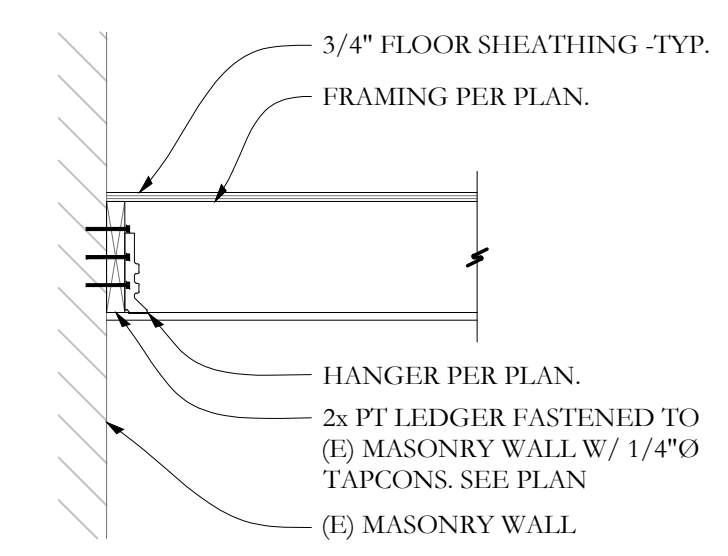
SECTION **E** 3/4"=1'-0



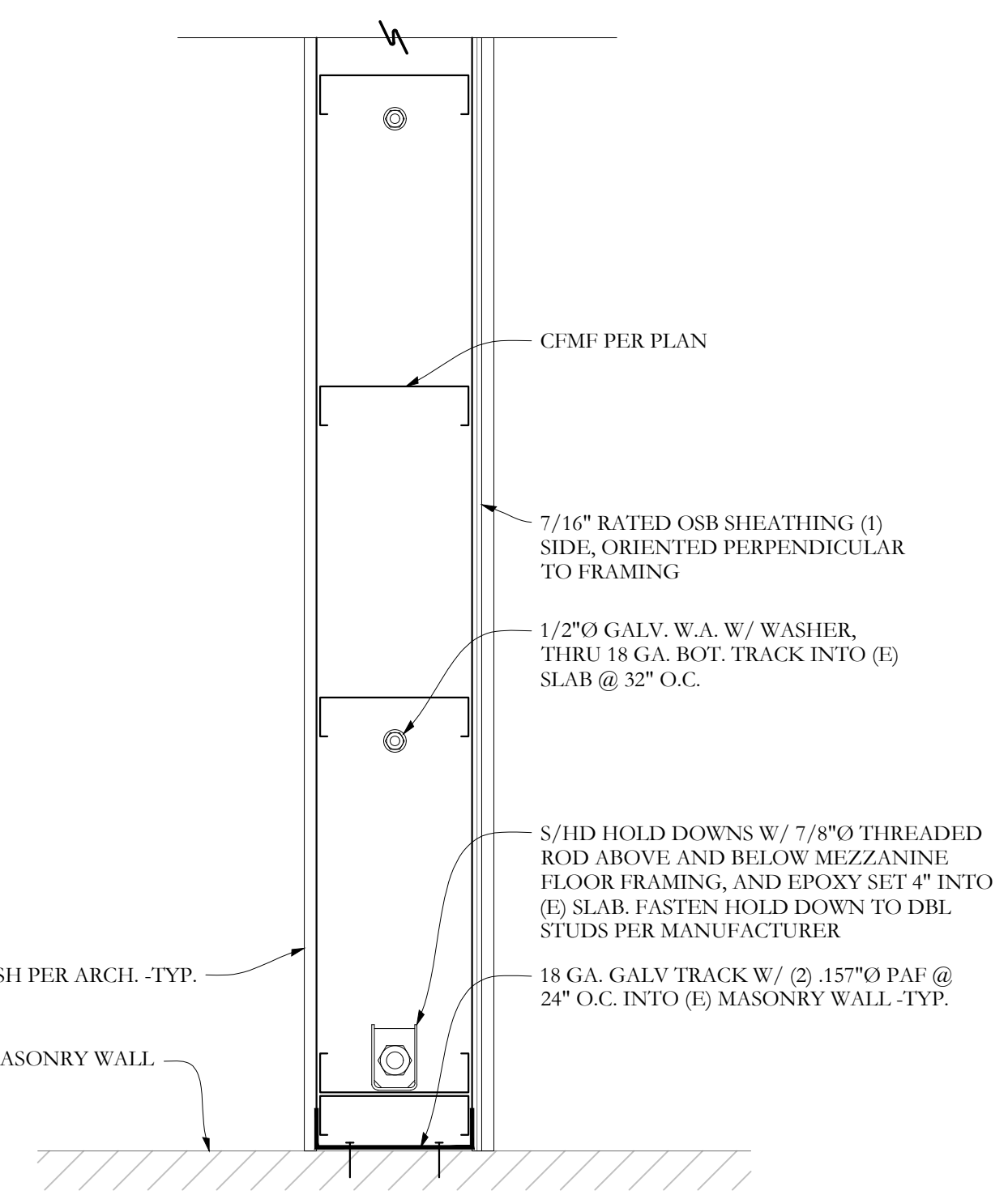
SECTION **F** 1 1/2"=1'-0
TYPICAL TOP PLATE CORNER LAP



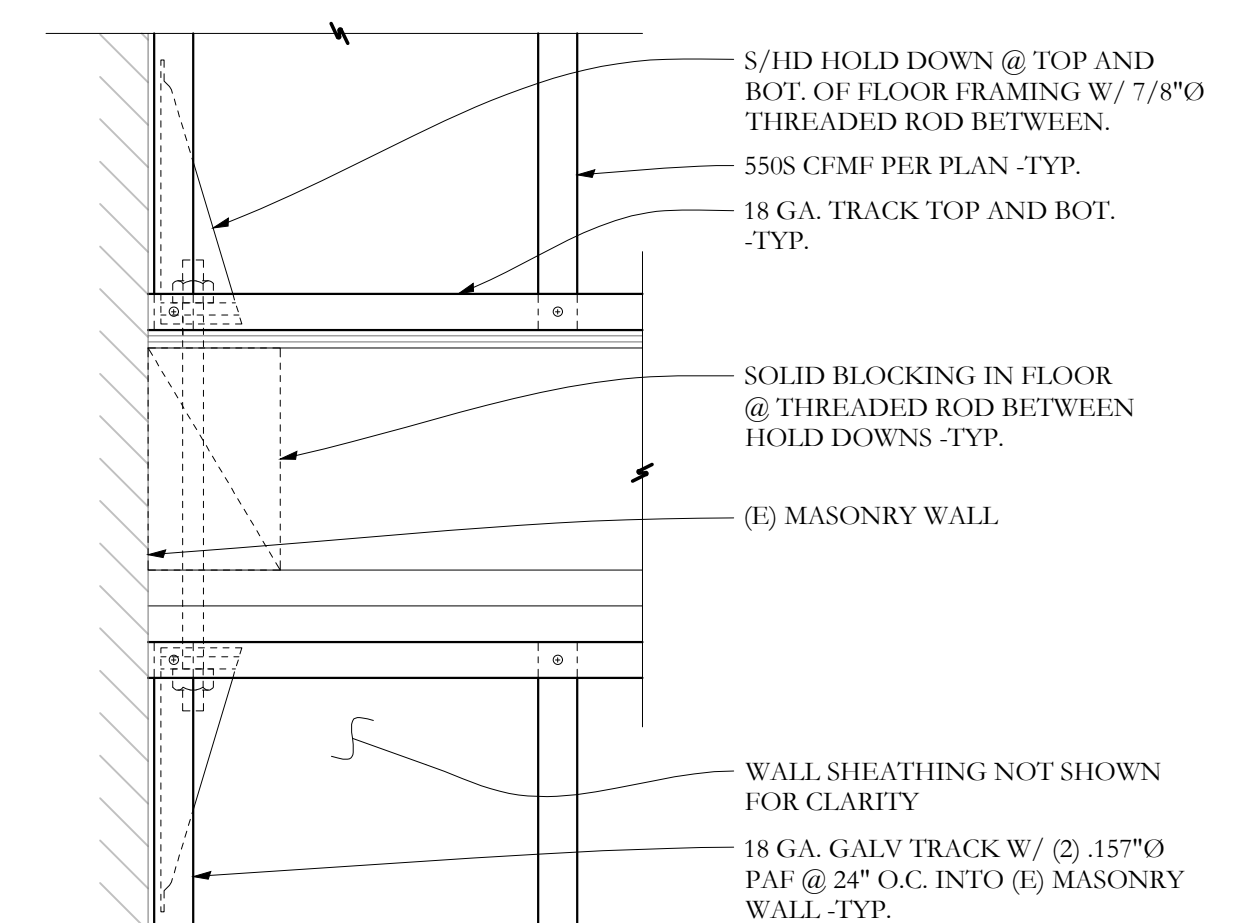
SECTION **G** 3/4"=1'-0



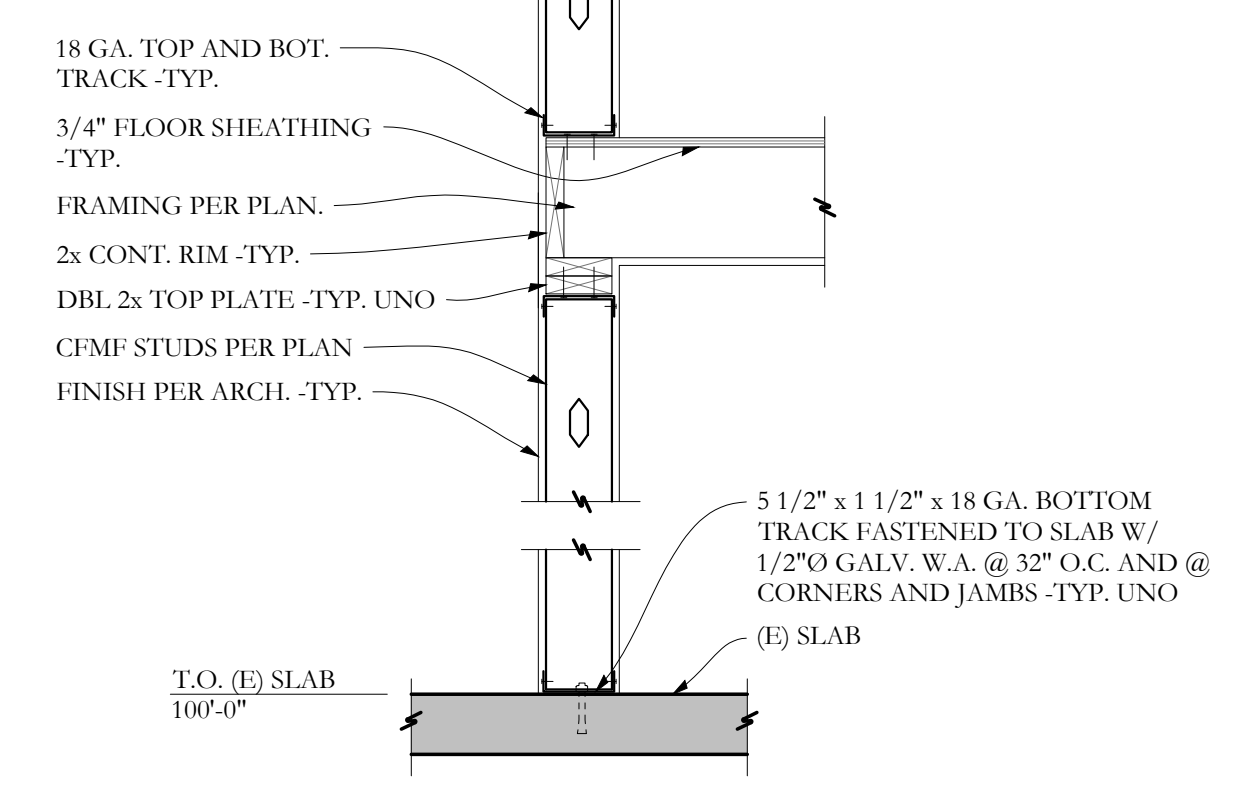
SECTION **H** 3/4"=1'-0



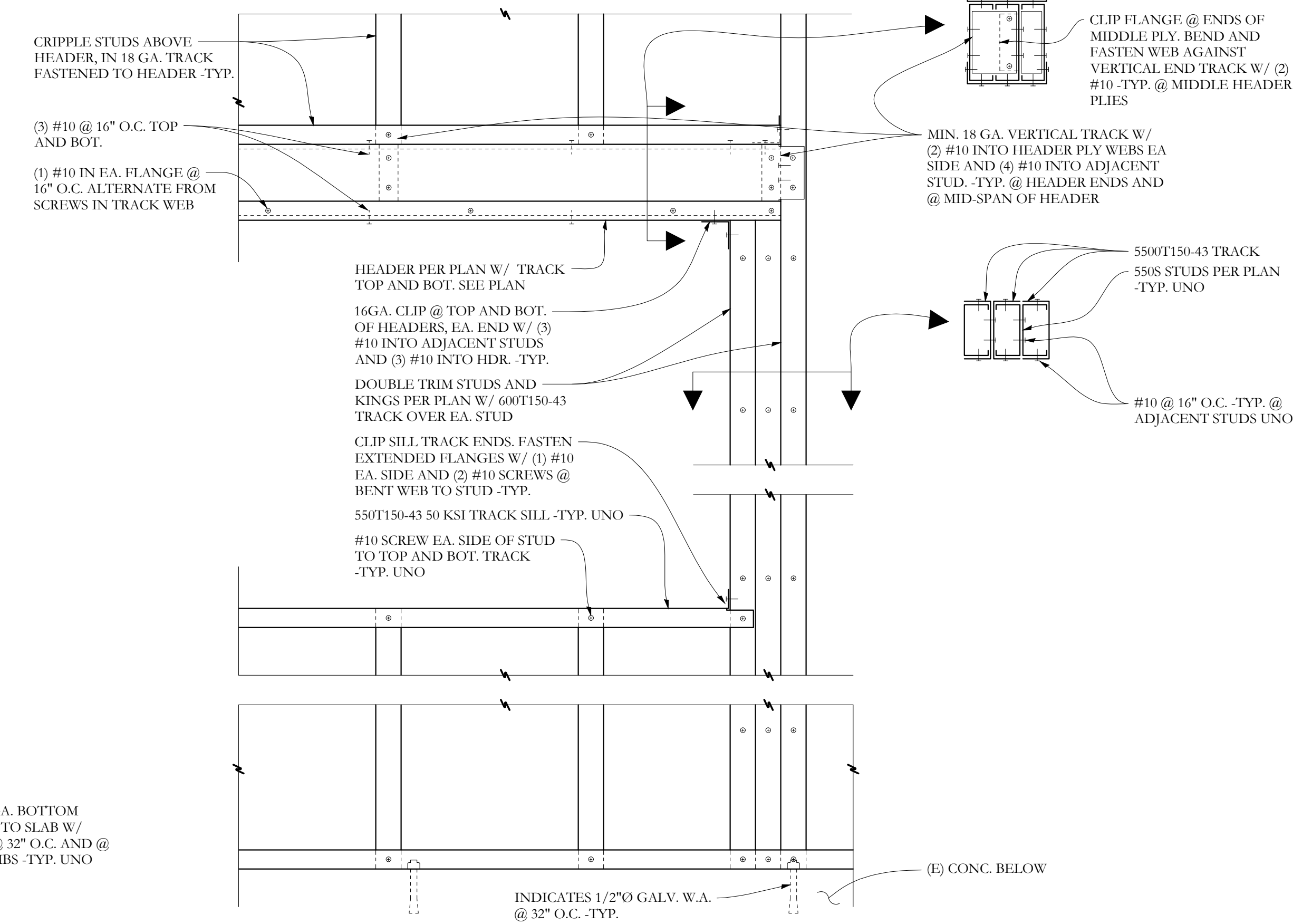
PLAN **A** 1 1/2"=1'-0



SECTION **B** 1 1/2"=1'-0



SECTION **C** 3/4"=1'-0



SECTION **D** 1 1/2"=1'-0
TYPICAL HEADERS AND SILLS

**FOR BUILDING PERMIT
JUNE 9, 2017**

DETAILS

S2.1