

NOTES:

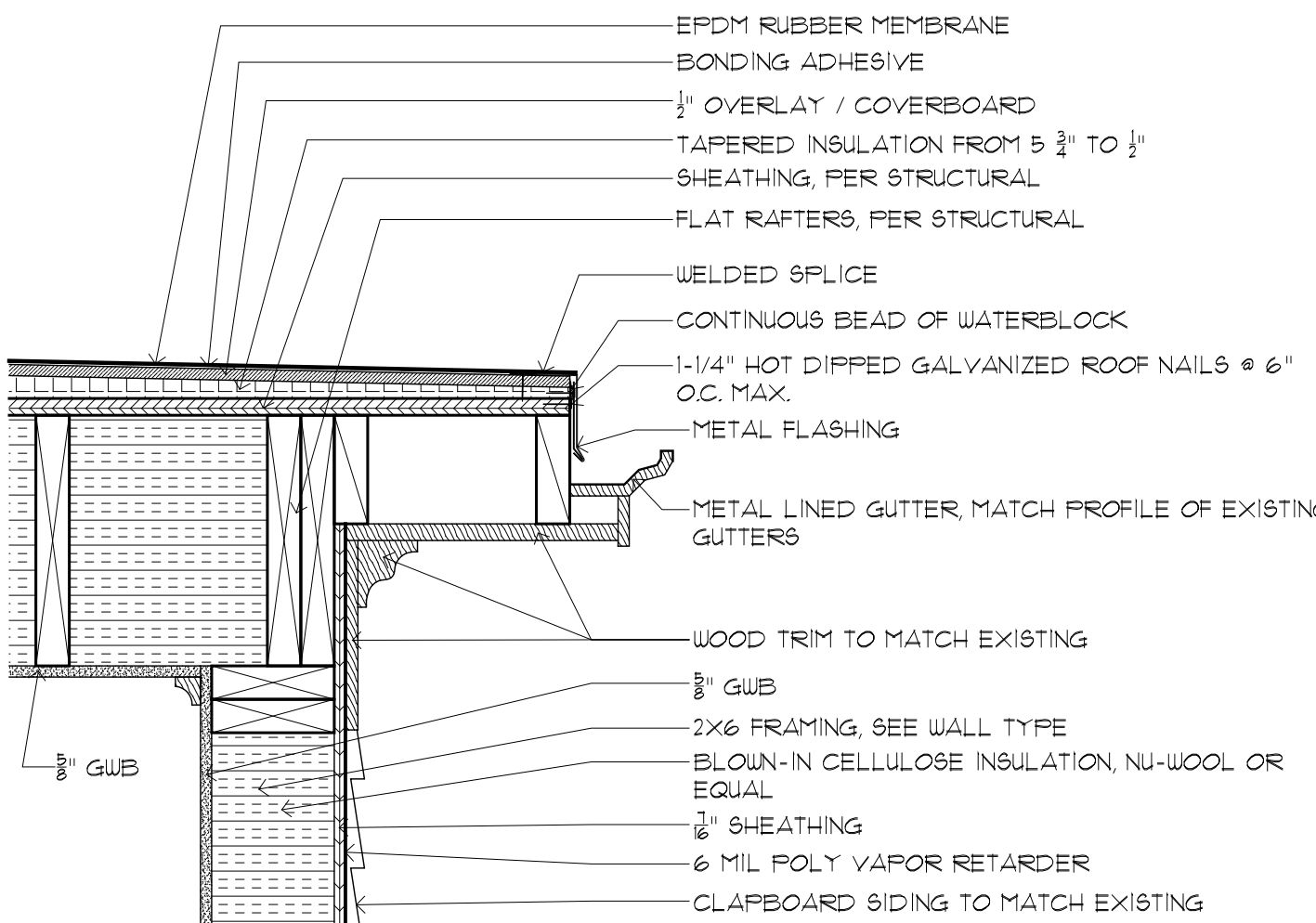
1. STANDING SEAM METAL ROOFS TO HAVE A 3:12 PITCH, CONTACT MANUFACTURER TO CONFIRM PITCH REQUIREMENTS
2. EPDM, PVC, OR TPO FOR FLAT ROOF
3. SHINGLE ROOFS TO HAVE A 8:12 PITCH, CONTACT MANUFACTURER TO CONFIRM PITCH REQUIREMENTS
4. USE MANUFACTURERS RECOMMENDED DETAILS, CONFER W/ ARCHITECT IF VARIES FROM THESE DRAWINGS

CODE REQUIREMENTS FOR INSULATION			
R VALUE ROOF REQUIREMENT ZONE 6: R-38 ROOF			
TYPICAL INSULATION ROOF	R-VALUE/INCH	THICKNESS	TOTAL
DENSE PACK CELLULOSE	3.6-3.8/INCH	11"	R-39.6
TOTAL			R-39.6
DENSE PACK CELLULOSE	3.6-3.8/INCH	11"	R-39.6
TAPERED INSULATION	6/INCH	1" +/-	R-6 +/-
TOTAL			R-45.6 +/-

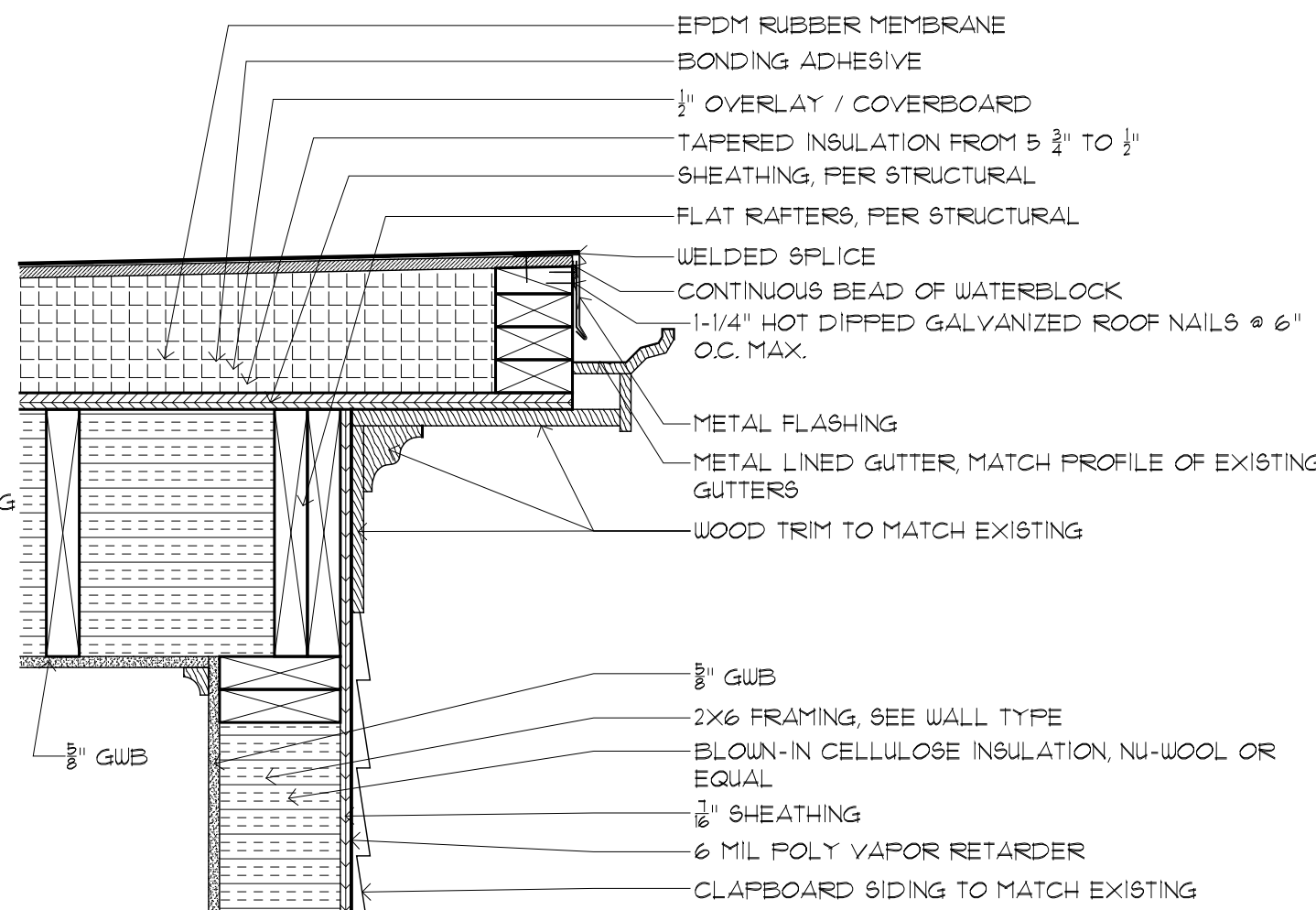
CODE REQUIREMENTS FOR INSULATION			
R VALUE WALL REQUIREMENT ZONE 6: R-20 (OR R-13 + R-5 CONT) WALLS			
TYPICAL INSULATION WALL	R-VALUE/INCH	THICKNESS	TOTAL
DENSE PACK CELLULOSE	3.6-3.8/INCH	5.5"	R-20.9
TOTAL			R-20.9

CODE REQUIREMENTS FOR INSULATION, ZONE 6 PER ASHRAE STANDARD 90.1-2001 TABLE 5.5-6	
R VALUE FLOOR REQUIREMENT:	R-30 FLOOR
R VALUE SLAB UNHEATED REQUIREMENT:	R-10 FLOOR FOR 4'-0"
R VALUE SLAB HEATED REQUIREMENT:	R-15 FLOOR FOR 4'-0"
R VALUE CRAWL SPACE REQUIREMENT:	R-10 CONT R-13 FRAMING CAVITY

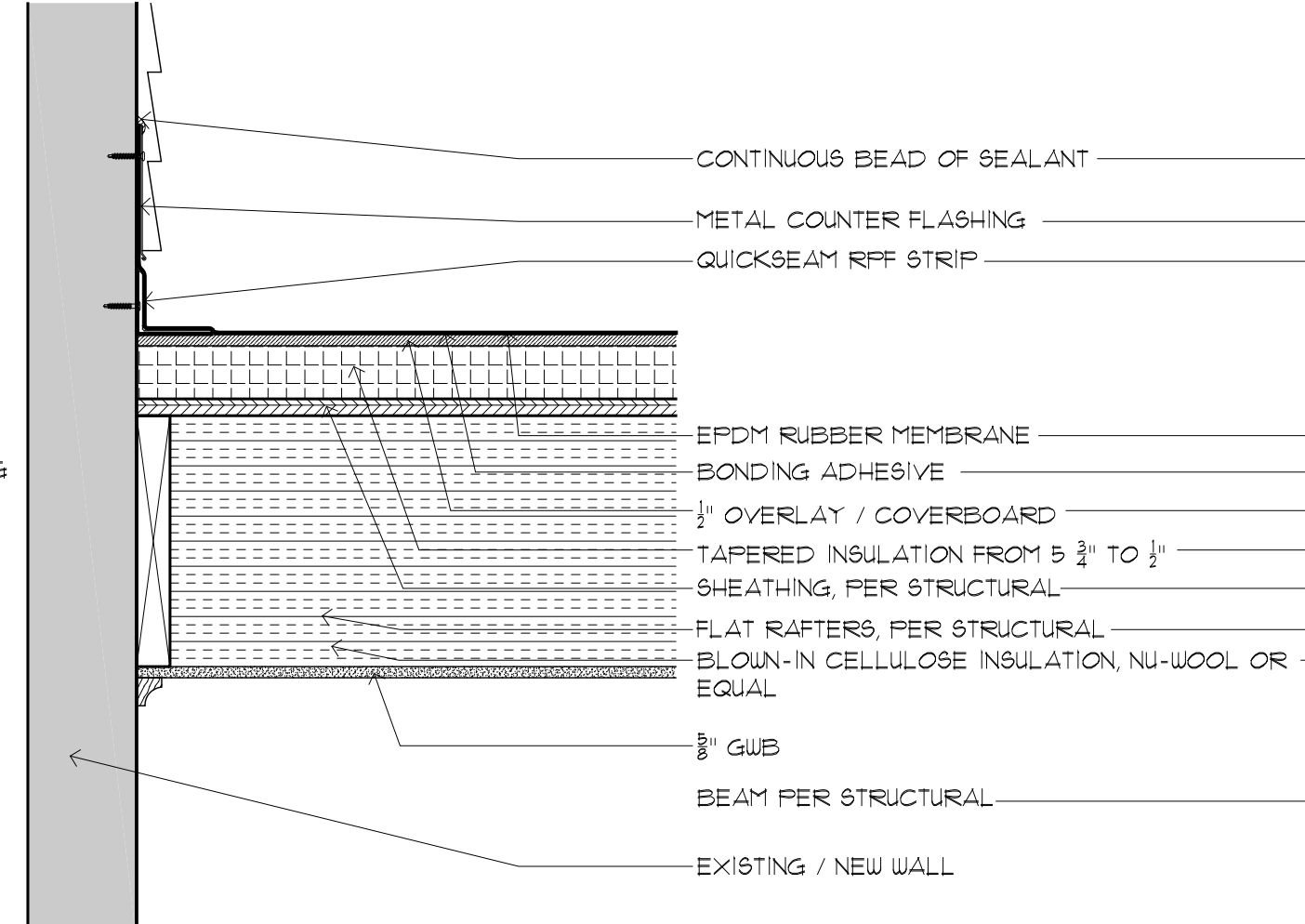
GENERAL RULE OF THUMB FOR INSULATION VALUES:		R-VALUE/INCH
RIGID INSULATION		5/INCH
CLOSED CELL INSULATION		6.5/INCH
OPEN CELL INSULATION		3.6/INCH
DENSE PACK CELLULOSE		3.6-3.8/INCH
FIBERGLASS (BATT)		3.2/INCH
FIBERGLASS (BLOWN)		2.2/INCH



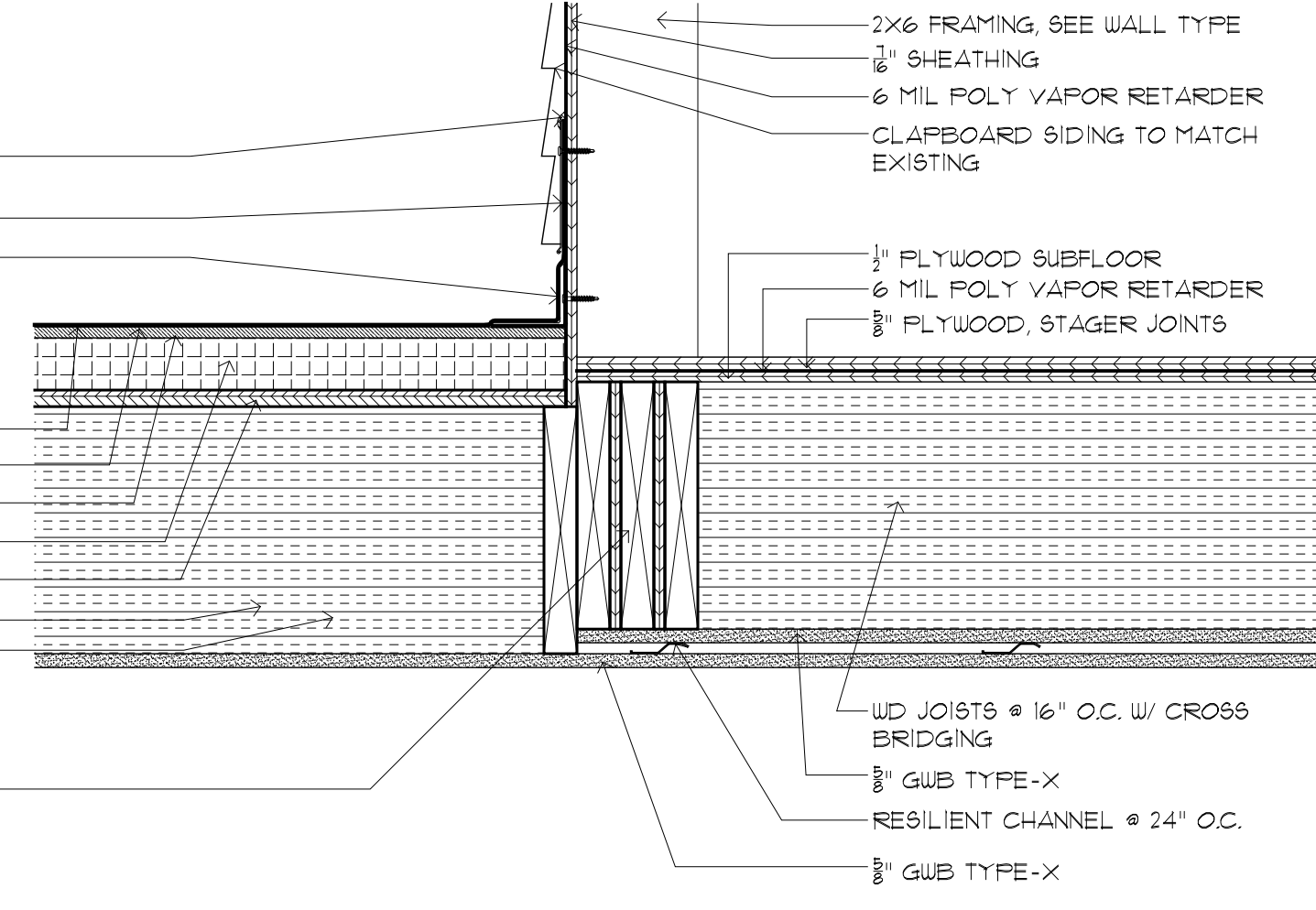
1 ROOF DETAIL @ EAVE, FLAT
A420 SCALE: 1 1/2"=1'-0"



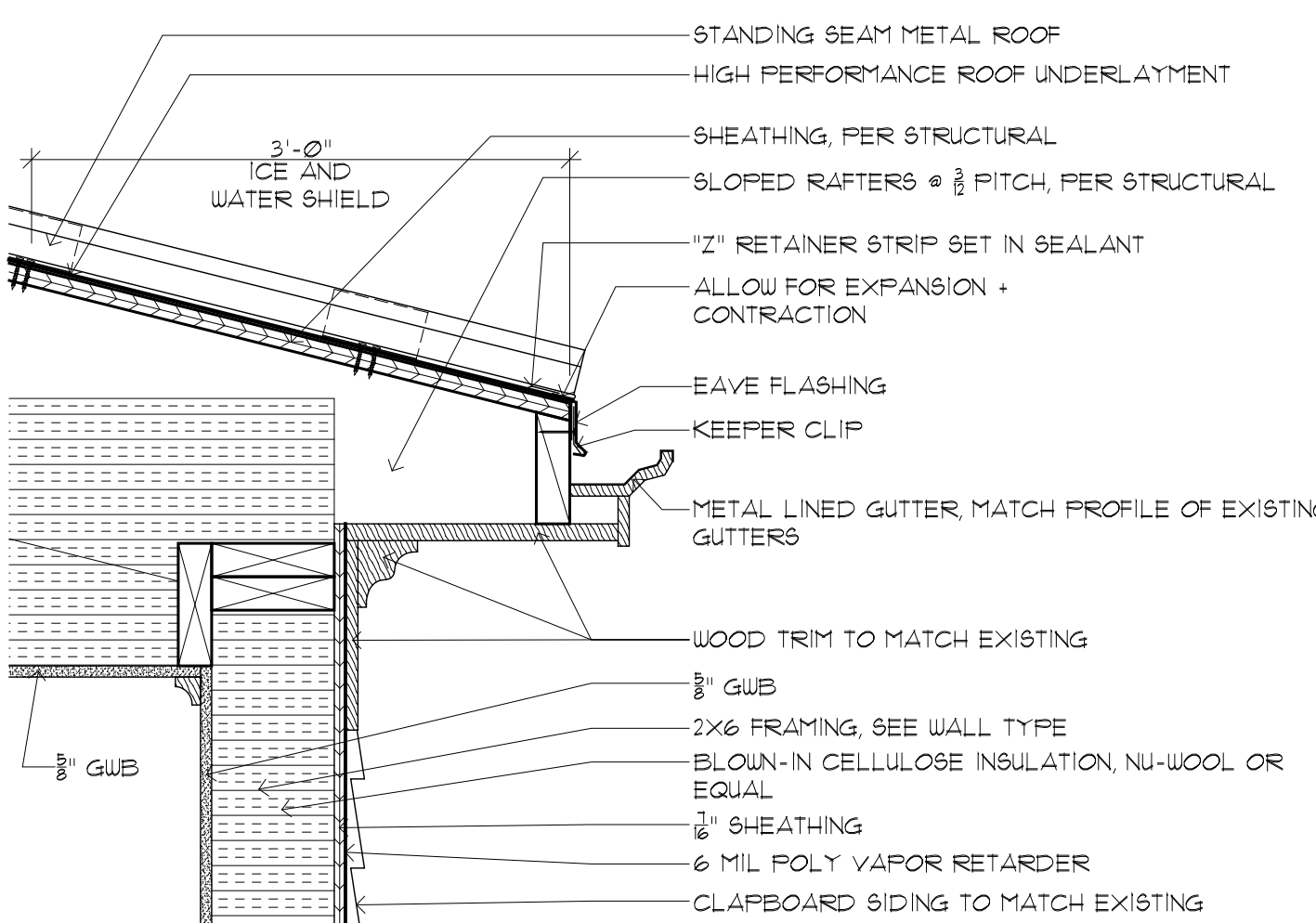
2 ROOF DETAIL @ EAVE, FLAT
A420 SCALE: 1 1/2"=1'-0"



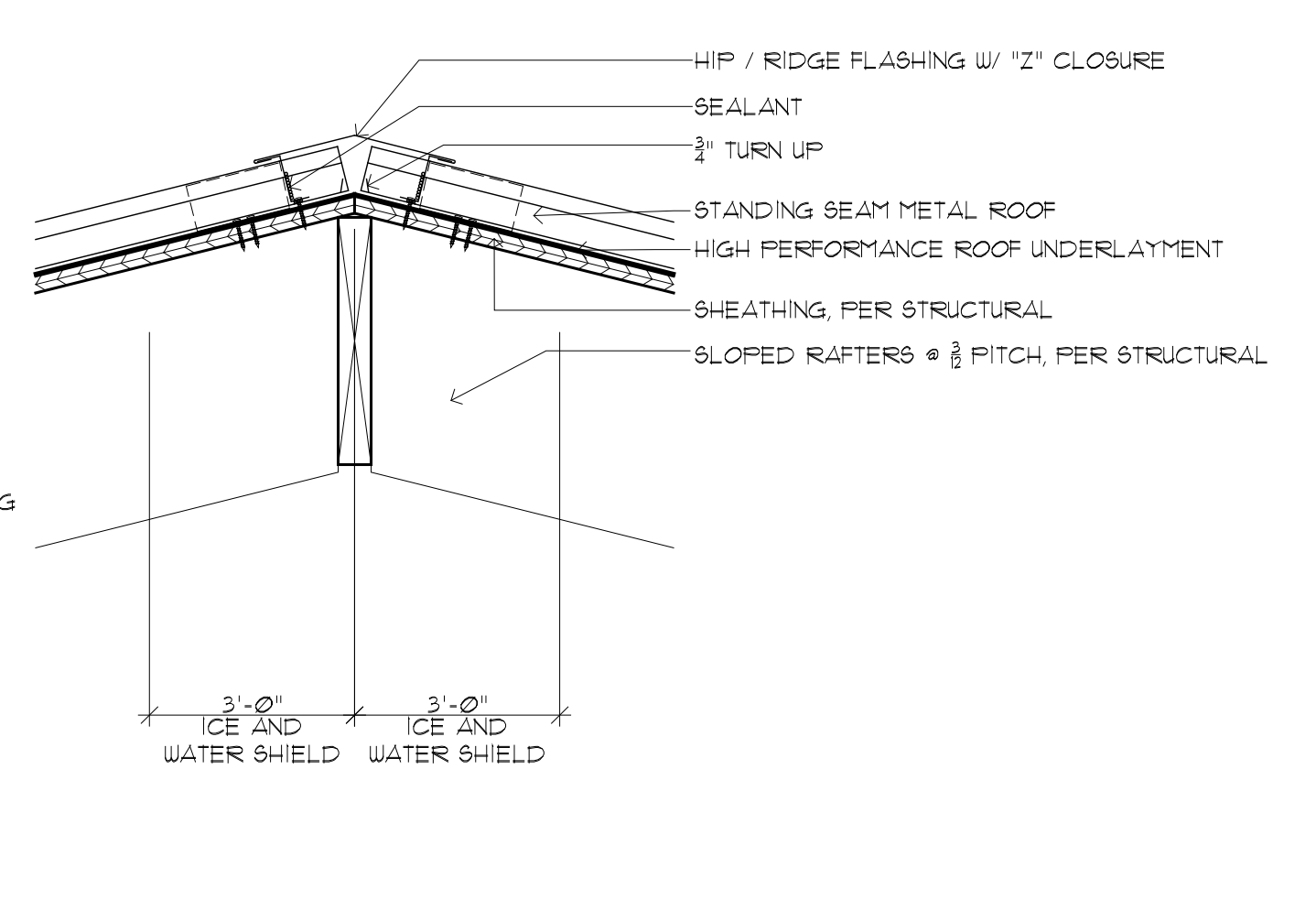
3 ROOF DETAIL @ WALL, FLAT
A420 SCALE: 1 1/2"=1'-0"



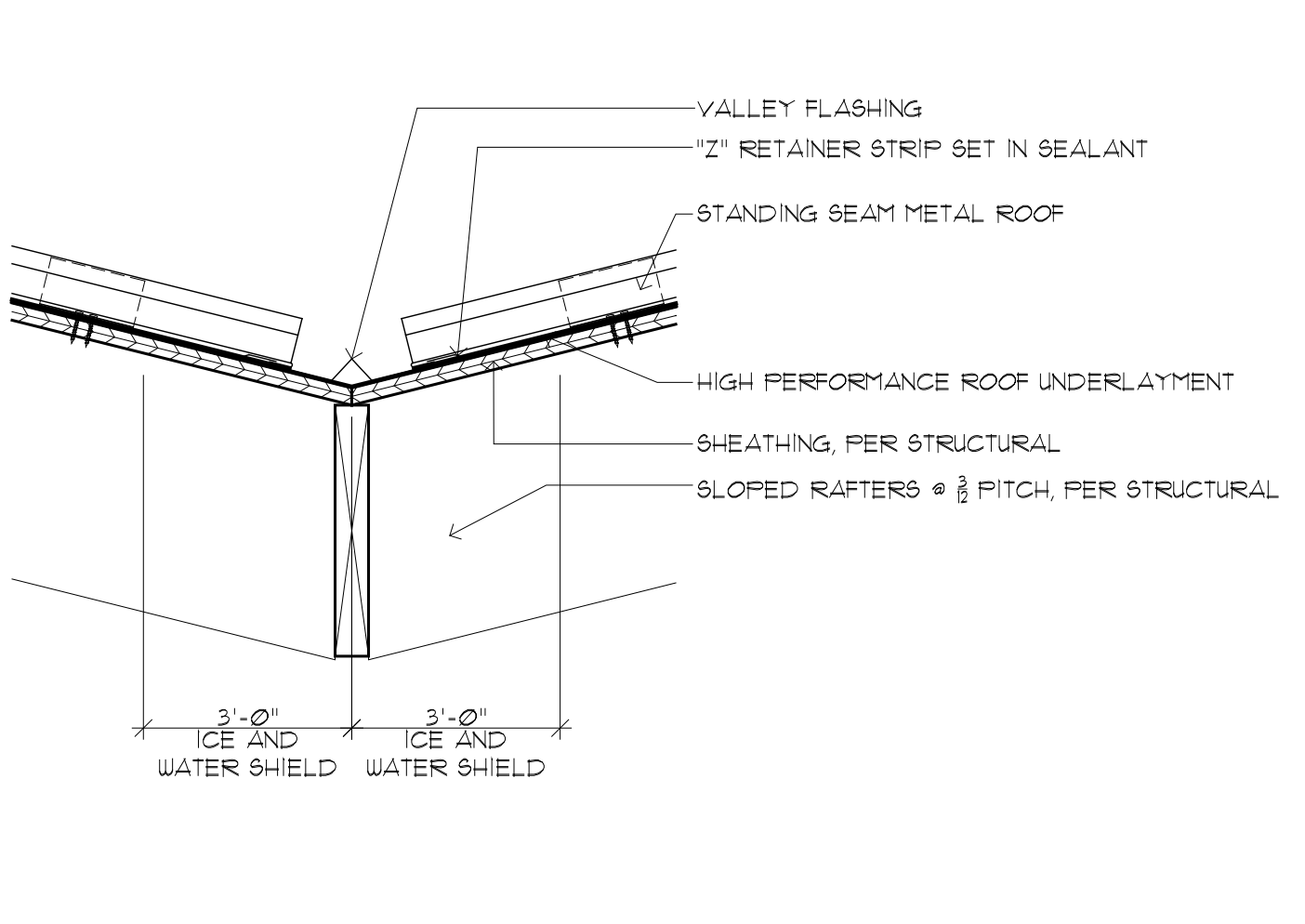
4 ROOF DETAIL @ GARAGE WALL, FLAT TO LOFT
A420 SCALE: 1 1/2"=1'-0"



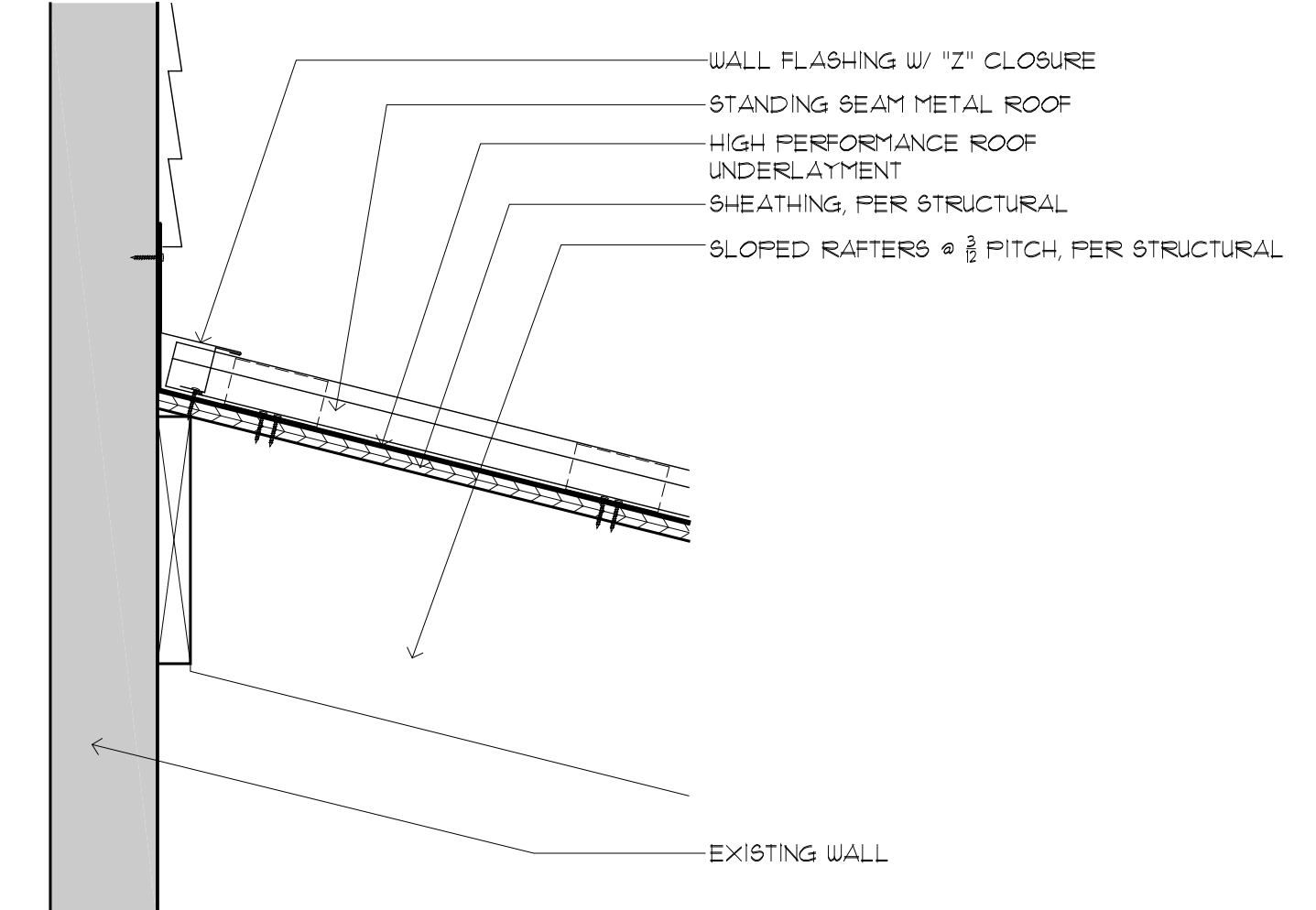
5 ROOF DETAIL @ EAVE, METAL
A420 SCALE: 1 1/2"=1'-0"



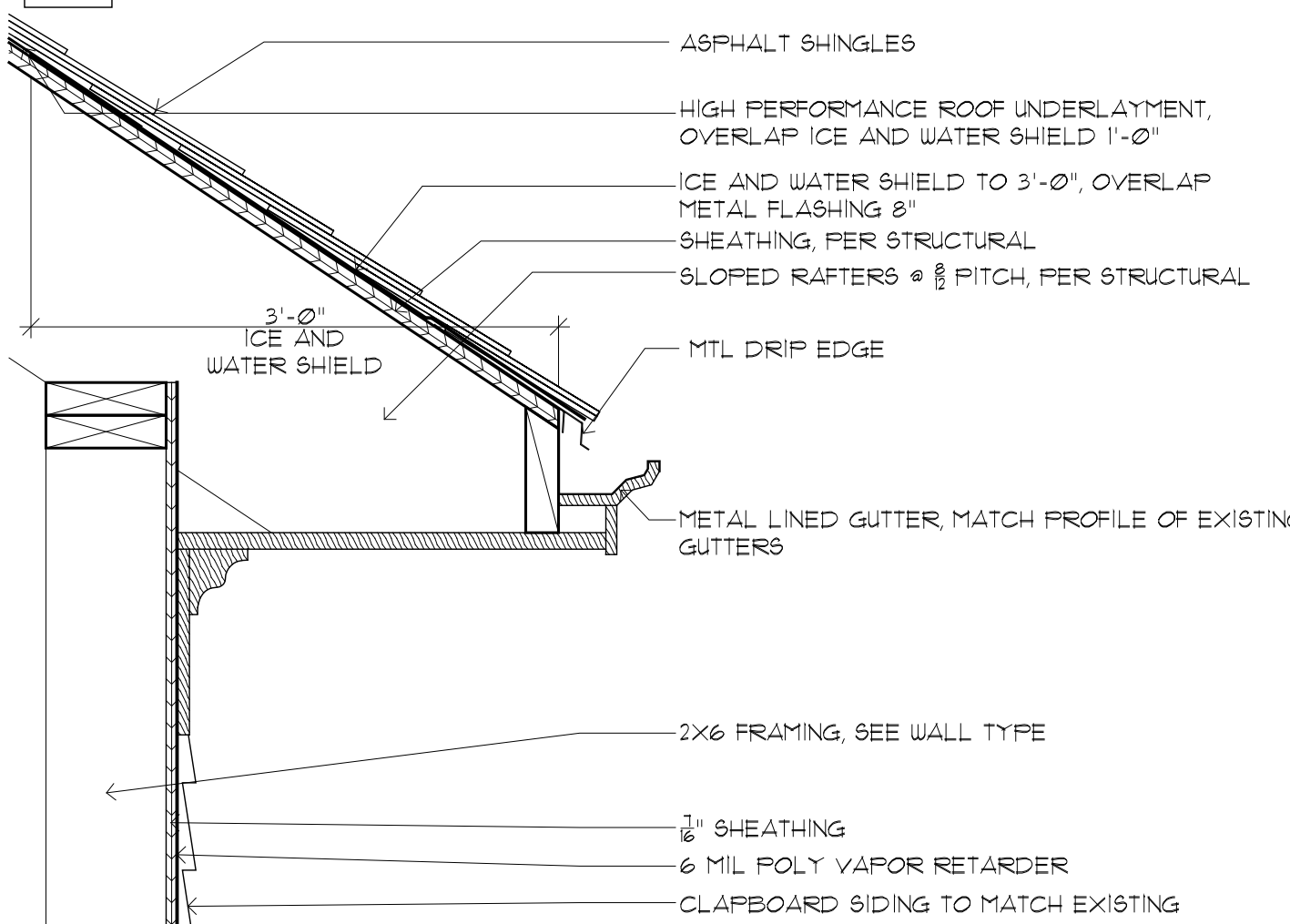
6 ROOF DETAIL @ HIP / RIDGE, METAL
A420 SCALE: 1 1/2"=1'-0"



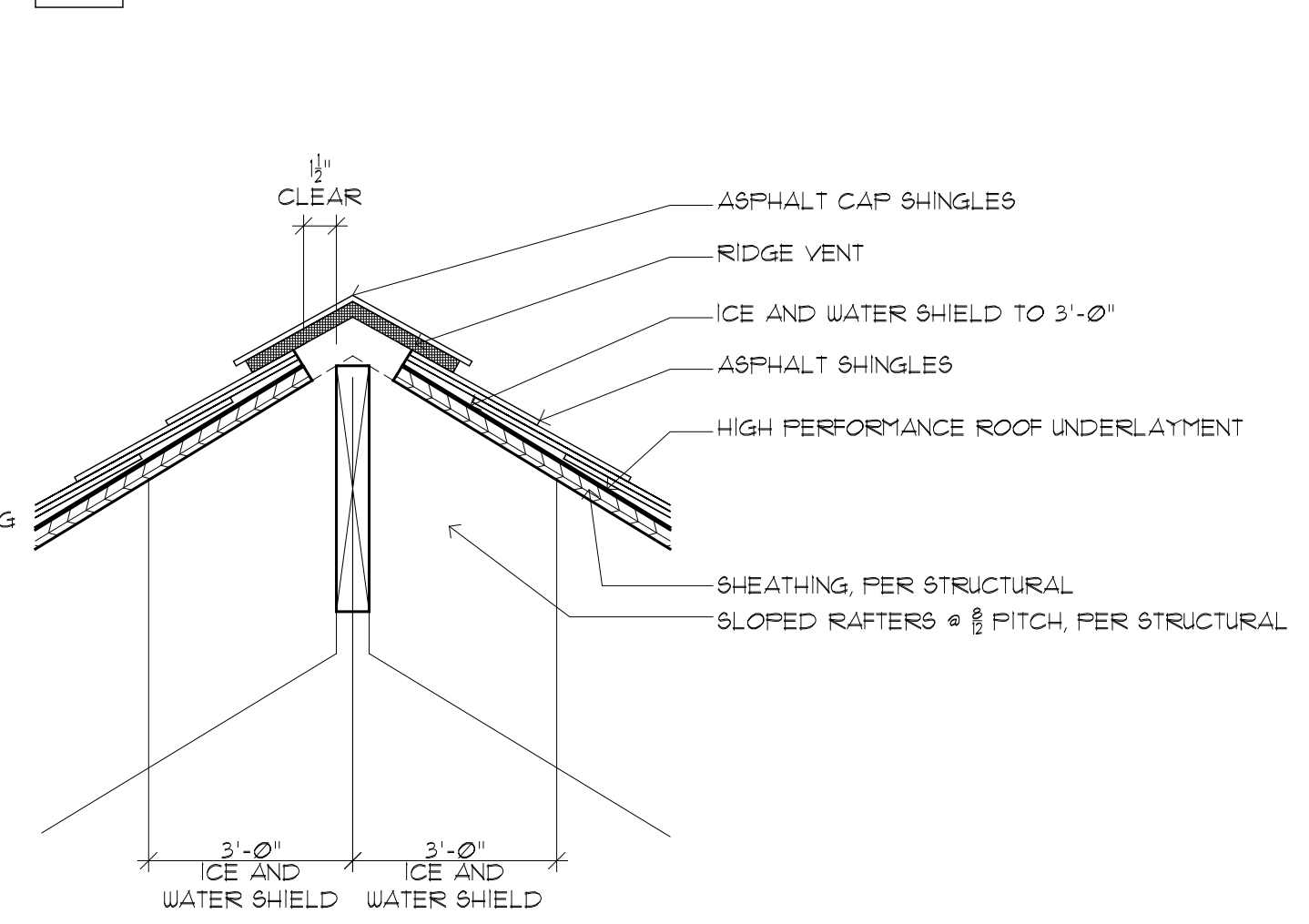
7 ROOF DETAIL @ VALLEY, METAL
A420 SCALE: 1 1/2"=1'-0"



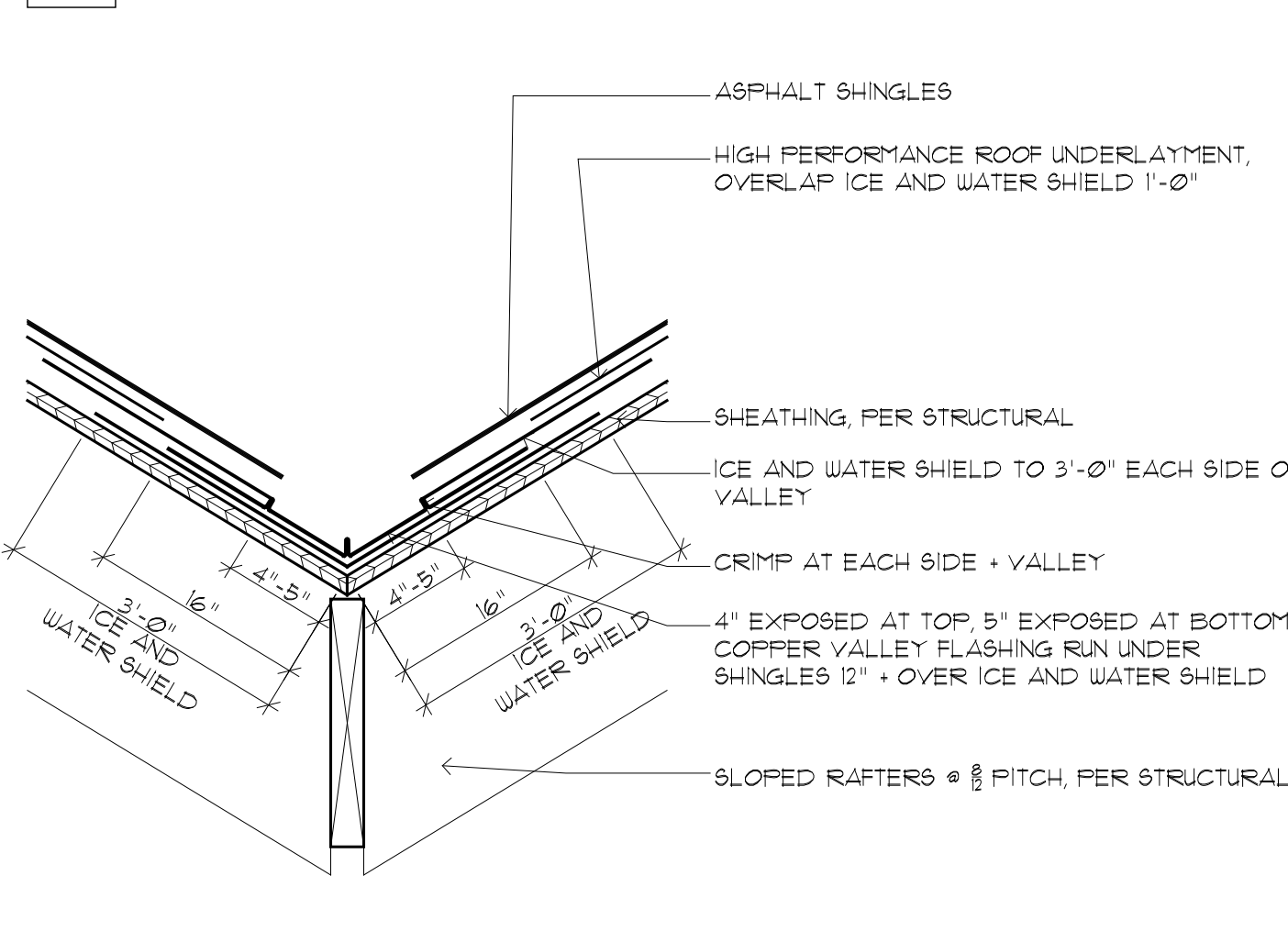
8 ROOF DETAIL @ WALL, METAL
A420 SCALE: 1 1/2"=1'-0"



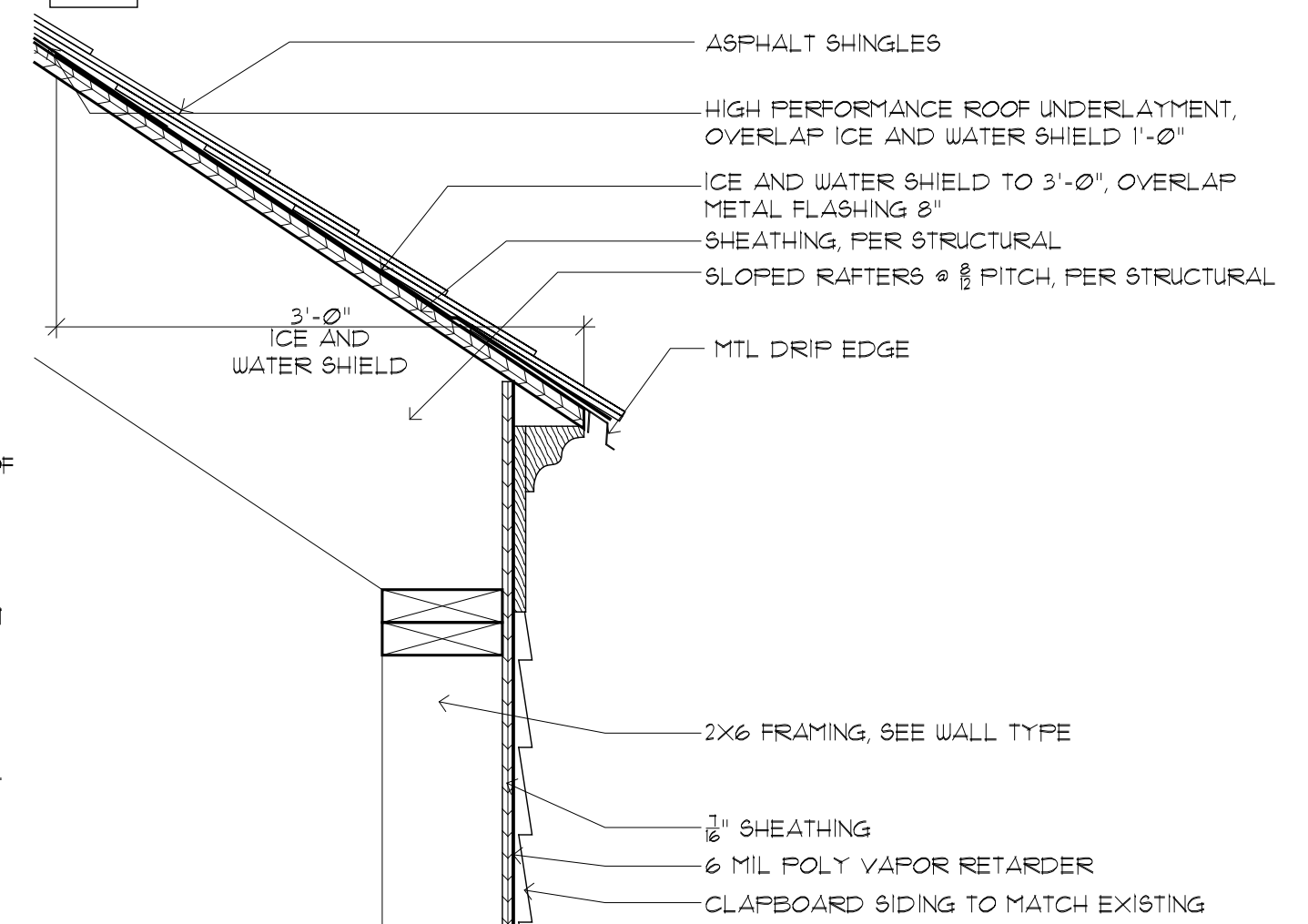
9 ROOF DETAIL @ EAVE, SHINGLE
A420 SCALE: 1 1/2"=1'-0"



10 ROOF DETAIL @ HIP / RIDGE, SHINGLE
A420 SCALE: 1 1/2"=1'-0"



11 ROOF DETAIL @ VALLEY, SHINGLE
A420 SCALE: EXPLODED, NTS



12 ROOF DETAIL @ DORMER EAVE, SHINGLE
A420 SCALE: 1 1/2"=1'-0"