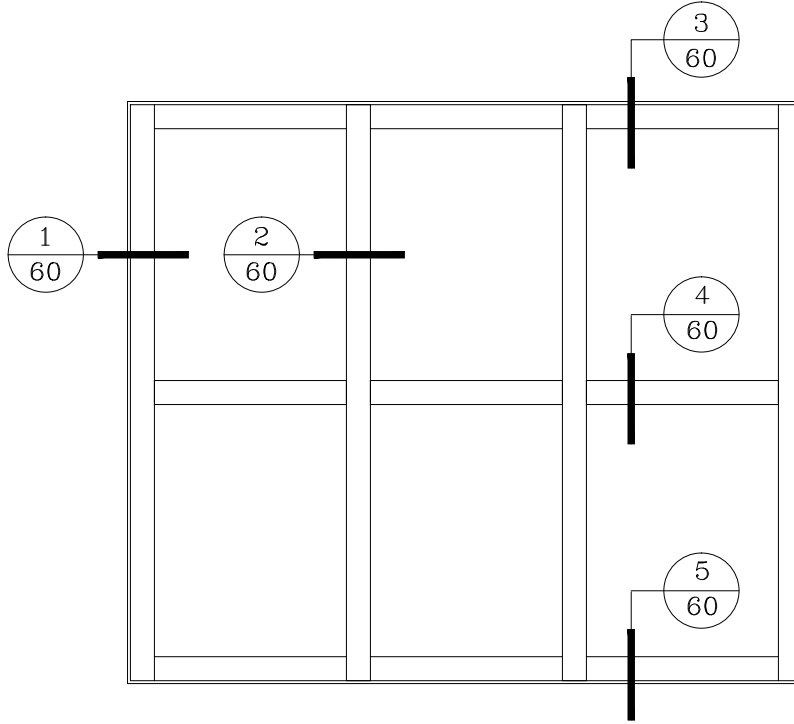


**\* 60 MINUTE FIRE RESISTIVE GPX WALL/WINDOW \***

For more details, please visit [www.safti.com](http://www.safti.com)



**\* 300-W-60R-IIXL \***

- 3" FIRE RESISTIVE GPX WALL/WINDOW WITH SUPERLITE II-XL 60 -  
 - INTERIOR APPLICATION -

**SAFTIFIRST™**  
 FIRE RATED GLAZING SOLUTIONS  
 325 NEWHALL STREET TEL: (415) 824-4900  
 SAN FRANCISCO, CA 94124 FAX: (415) 824-5900

**SuperLite™ II-XL**  
**SAFTIfire GPX**  
 FRAMING

300-W-60R-IIXL

DATE:

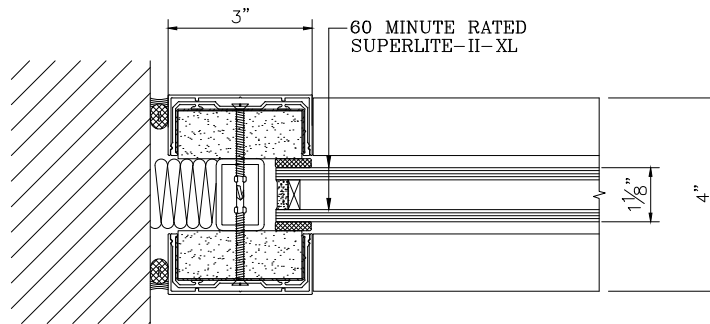
DRAWN:

SCALE: 1/2" = 1'

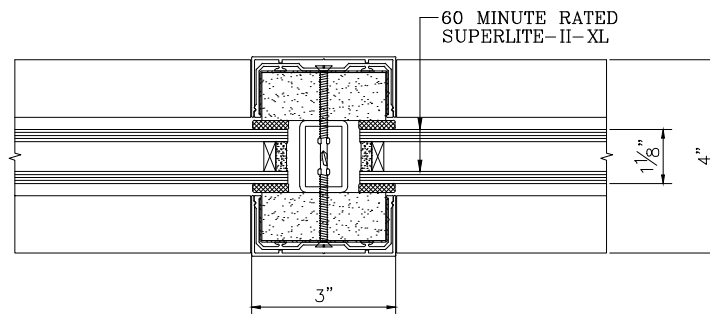
\* 60 MINUTE FIRE RESISTIVE GPX WALL/WINDOW \*

For more details, please visit [www.safti.com](http://www.safti.com)

① 300-W-60R-IIXL  
60 JAMB DETAIL



② 300-W-60R-IIXL  
60 VERTICAL MULLION DETAIL



**SAFTIFIRST™**  
FIRE RATED GLAZING SOLUTIONS  
325 NEWHALL STREET TEL: (415) 824-4900  
SAN FRANCISCO, CA 94124 FAX: (415) 824-5900

**SuperLite™ II-XL**  
**SAFTIfire GPX**  
FRAMING

300-W-60R-IIXL

DATE:

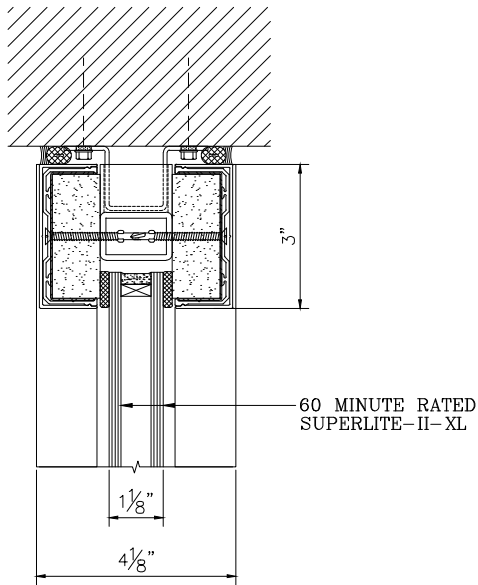
DRAWN:

SCALE:  
3" = 1'

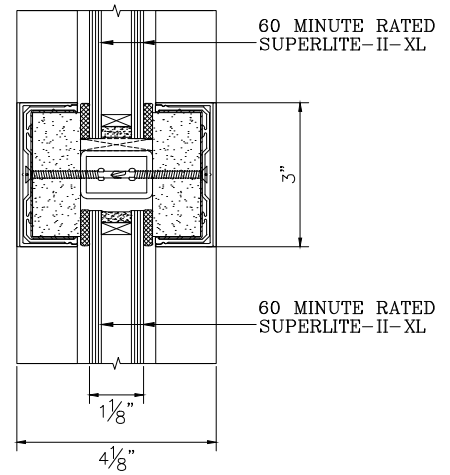
\* 60 MINUTE FIRE RESISTIVE GPX WALL/WINDOW \*

For more details, please visit [www.safti.com](http://www.safti.com)

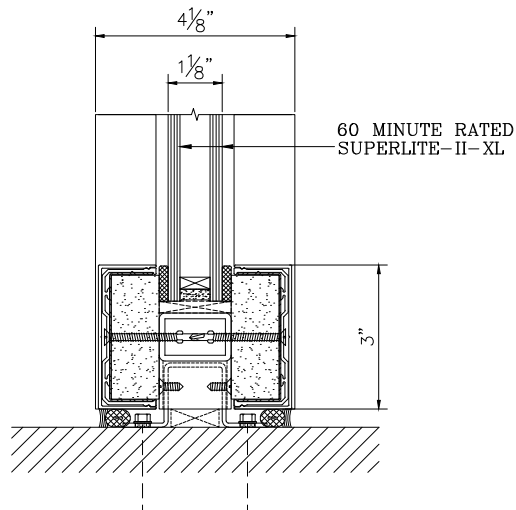
3  
60 300-W-60R-IIXL  
HEAD DETAIL



4  
60 300-W-60R-IIXL  
HORIZONTAL MULLION DETAIL



5  
60 300-W-60R-IIXL  
SILL DETAIL



**SAFTIFIRST™**

FIRE RATED GLAZING SOLUTIONS

325 NEWHALL STREET TEL: (415) 824-4900  
SAN FRANCISCO, CA 94124 FAX: (415) 824-5900

**SuperLite™ II-XL**

**SAFTIfire  
FRAMING GPX**

300-W-60R-IIXL

DATE:

DRAWN:

SCALE: 1/2" = 1'