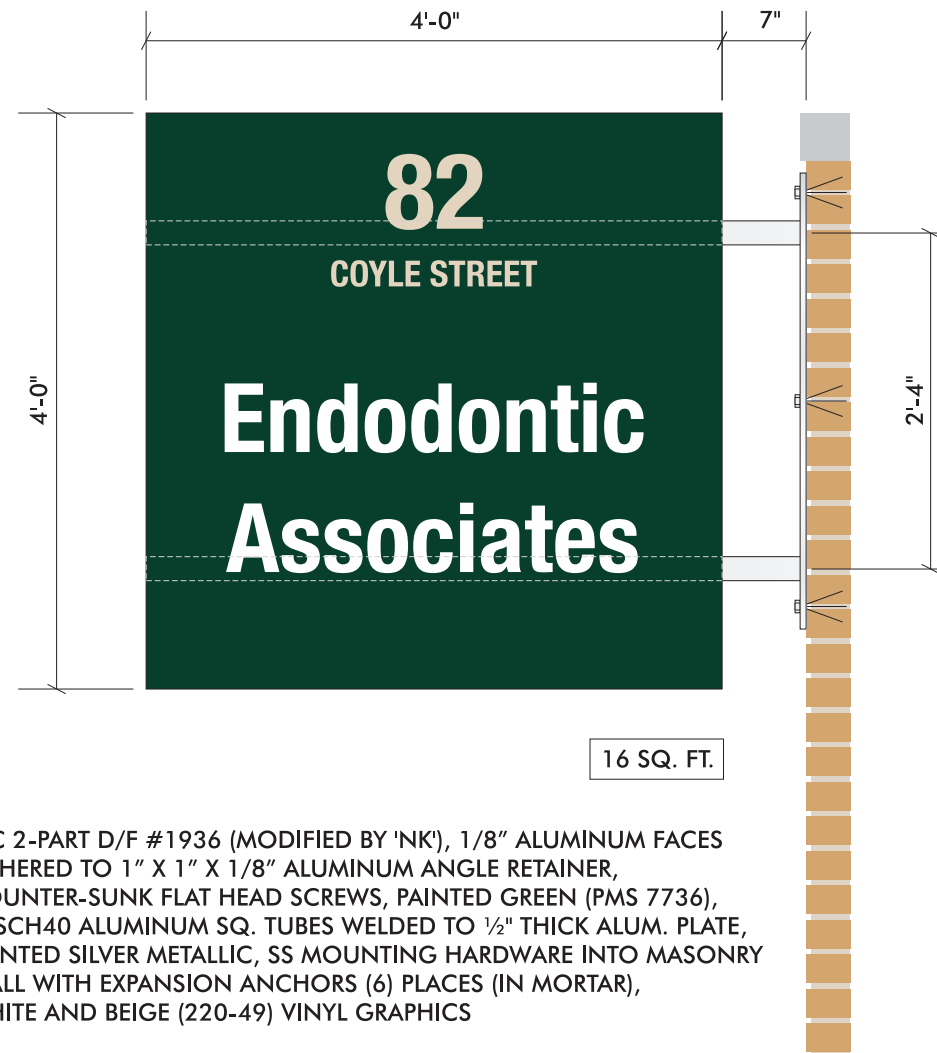
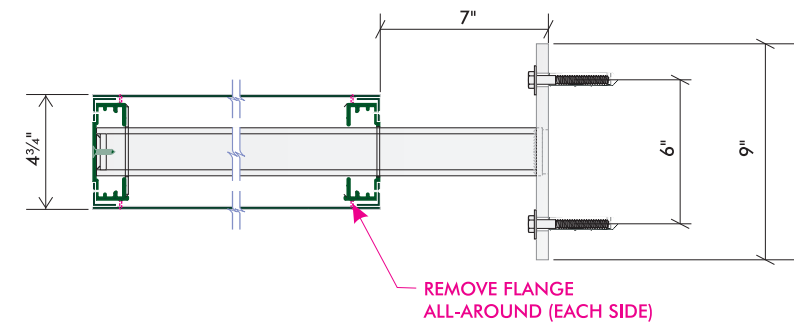


END VIEW

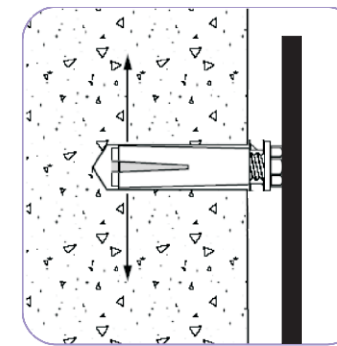


S/C 2-PART D/F #1936 (MODIFIED BY 'NK'), 1/8" ALUMINUM FACES ADHERED TO 1" X 1" X 1/8" ALUMINUM ANGLE RETAINER, COUNTER-SUNK FLAT HEAD SCREWS, PAINTED GREEN (PMS 7736), 2" SCH40 ALUMINUM SQ. TUBES WELDED TO 1/2" THICK ALUM. PLATE, PAINTED SILVER METALLIC, SS MOUNTING HARDWARE INTO MASONRY WALL WITH EXPANSION ANCHORS (6) PLACES (IN MORTAR), WHITE AND BEIGE (220-49) VINYL GRAPHICS

DOUBLE FACE NON-ILLUMINATED PROJECTING SIGN
SCALE: 3/4" = 1'-0"
(1) REQUIRED



TOP VIEW - S/C EXTRUSION / SECTION DETAIL / PLATE
SCALE: 1 1/2" = 1'-0"



SLEEVE-ANCHOR MOUNTING DETAIL
NOT TO SCALE

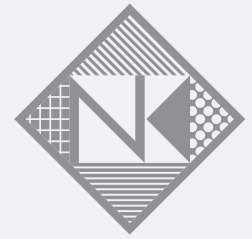
LOK-BOLT™ ANCHORING SYSTEM AS MFG BY POWERS FASTENERS, NEW ROCHELLE, NY OR EQUAL:
A PRE-ASSEMBLED SINGLE UNIT SLEEVE ANCHOR FOR ANCHORING INTO SOLID AND HOLLOW CONCRETE AND MASONRY SUBSTRATES
PATENTED COMPRESSION RING PULLS FIXTURE FLUSH TO THE WORK SURFACE
AVAILABLE IN CARBON STEEL AND TYPE 304 STAINLESS STEEL; SEVERAL HEAD STYLES
SIZE RANGE: 1/4" DIA. x 5/8" TO 3/4" DIA. x 7 1/2"



ELEVATION STOREFRONT ELEVATION = 15'-5" X 60' = 925 SQUARE FEET
SCALE: 3/32 = 1'-0"±



PHOTO COMPOSITE
NO SCALE



Neokraft
SIGN S

Neokraft Signs Inc.
686 Main Street
Lewiston, Maine 04240
Telephone: 207.782.9654
Facsimile: 207.782.0009
1.800.339.2258
<http://www.neokraft.com>

Custom Sign Fabrication

These plans are the exclusive property of Neokraft Signs, Inc. and are the result of the original work of its employees. They are submitted to Neokraft's client for the sole purpose of consideration of whether to purchase these plans or to purchase from Neokraft a sign manufactured according to these plans.

Distribution or exhibition of these plans to anyone other than employees of said client, or use of these plans to construct a sign similar to the one embodied herein, is expressly forbidden. In the event that such exhibition or construction occurs, Neokraft expects to be reimbursed \$1500 in compensation for time and effort entailed in creating these plans.

Endodontic Associates 18944

PERMIT

Location: 82 Coyle Street
Portland, Maine
Drawing No.: 1 of 2
Drawn by: BK Rep.: PL
Date: 11.25.2014
Lead No.: CL021869
Gen Ref.: