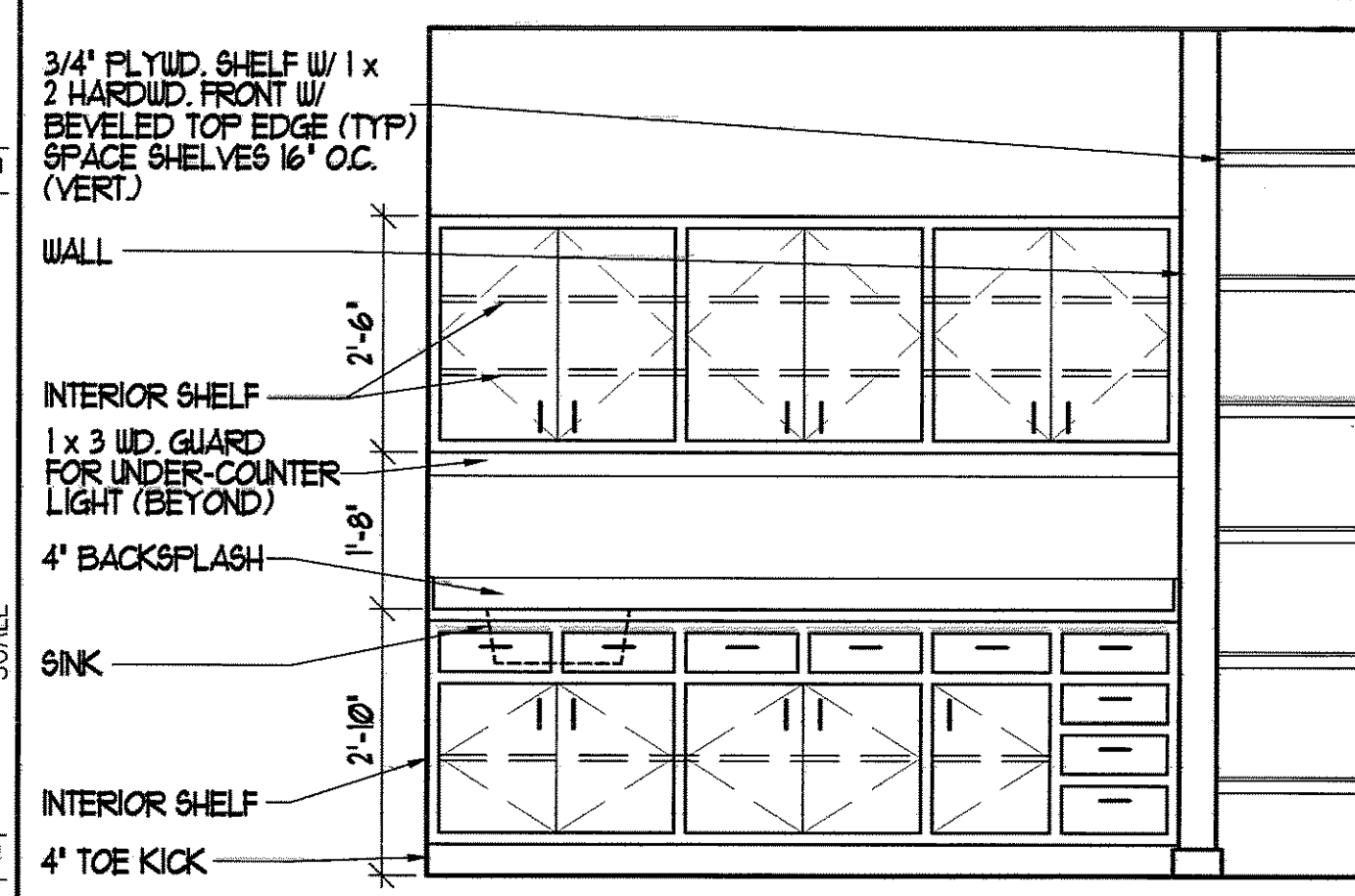
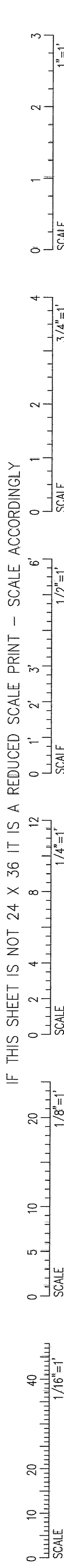
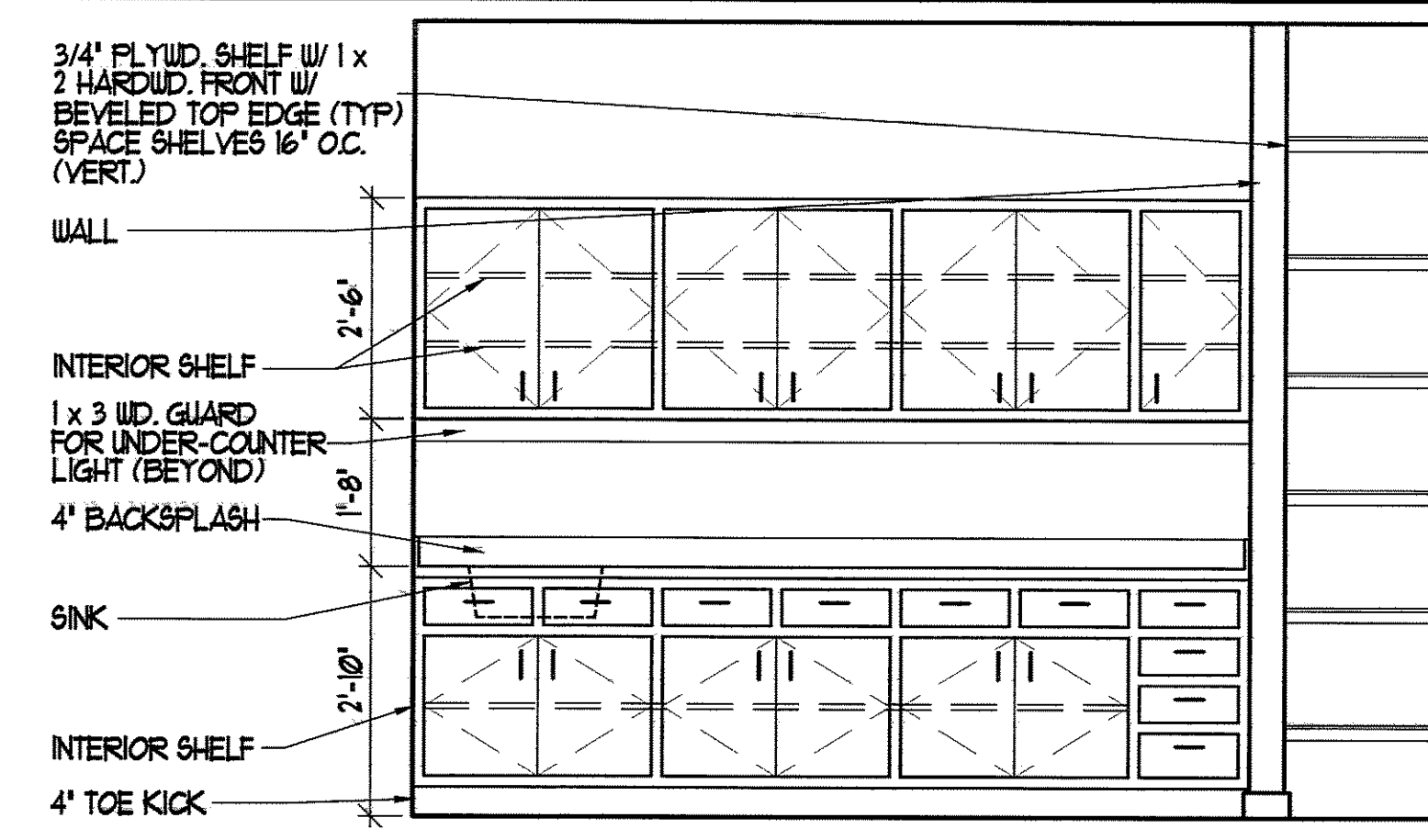


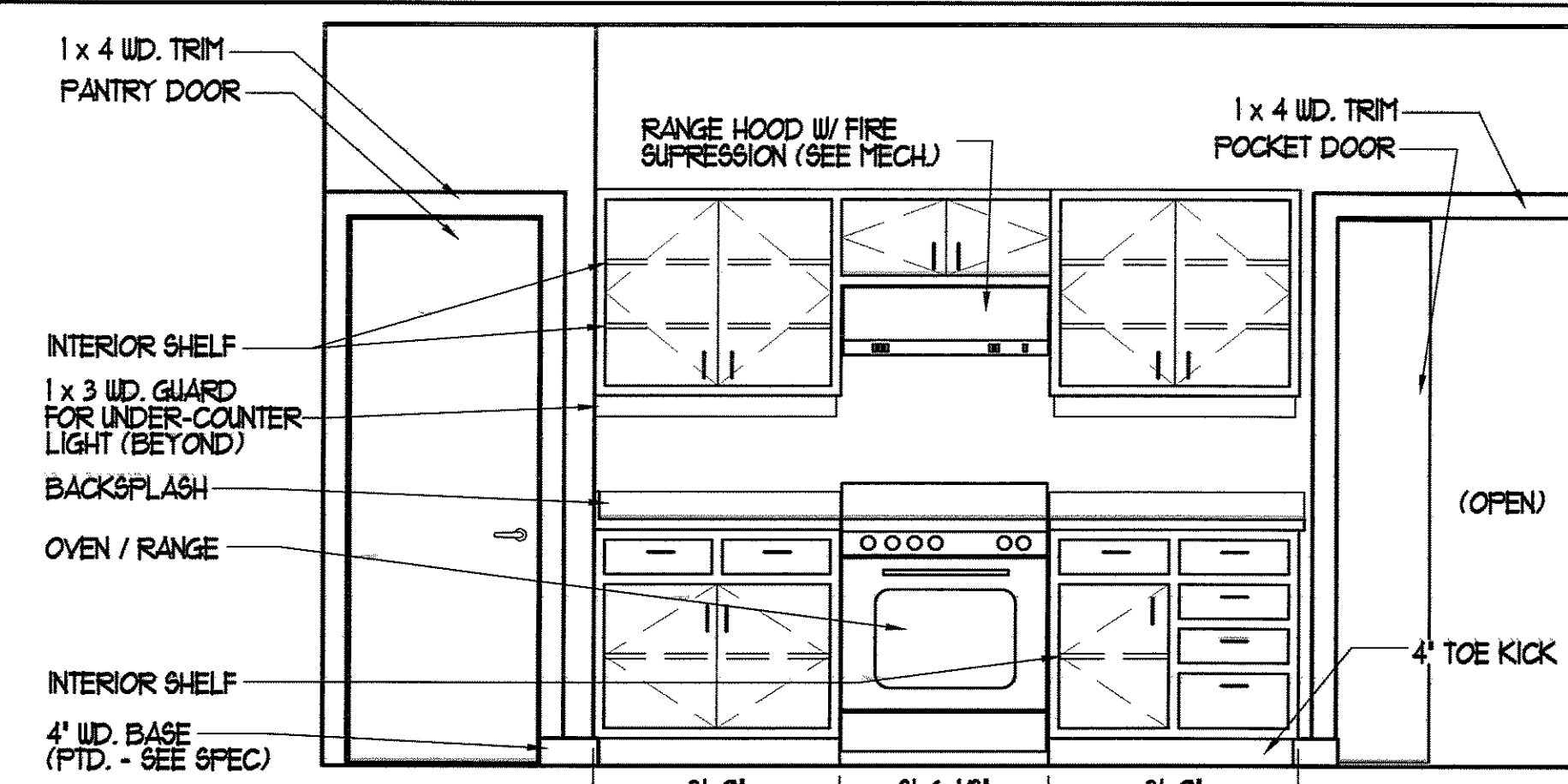
IF THIS SHEET IS NOT 24 X 36 IT IS A REDUCED SCALE PRINT - SCALE ACCORDINGLY



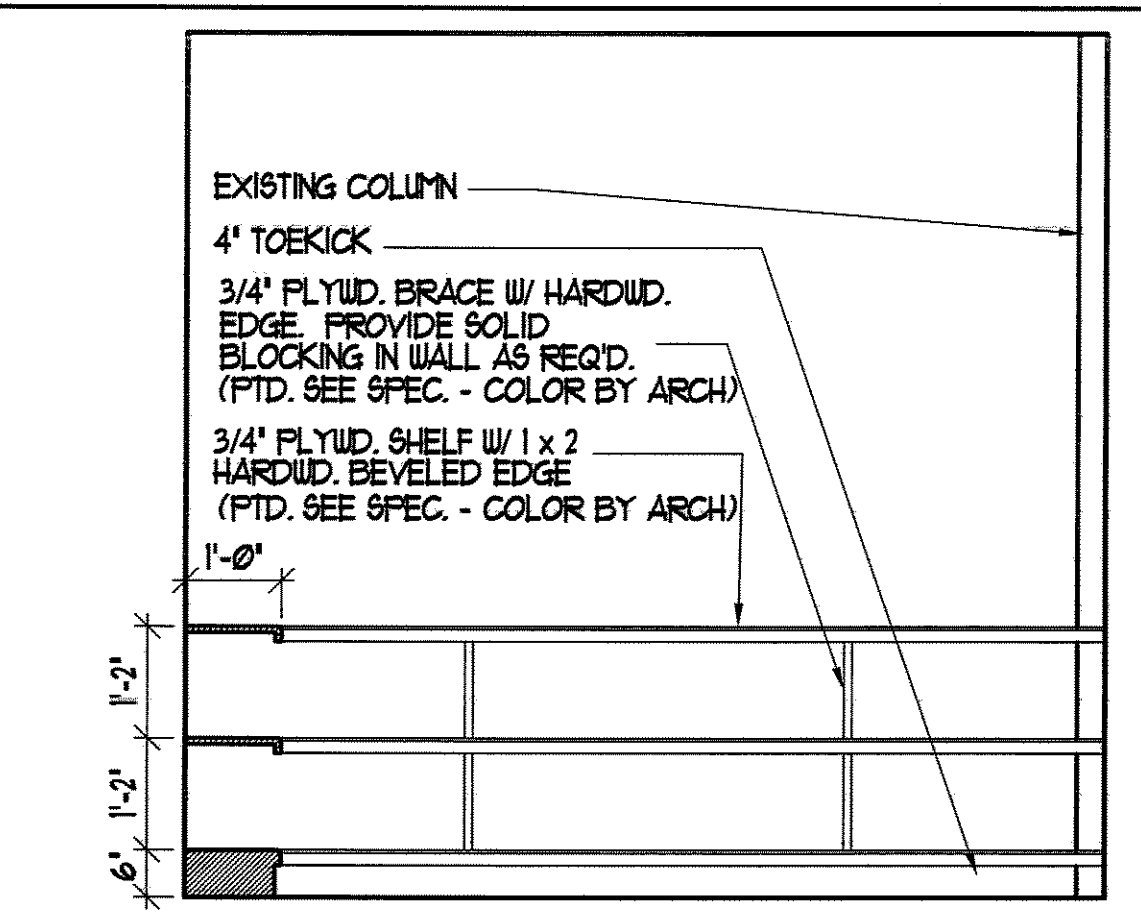
1 GROUP ROOM MILLWORK  
SCALE: 1/2" = 1'-0"



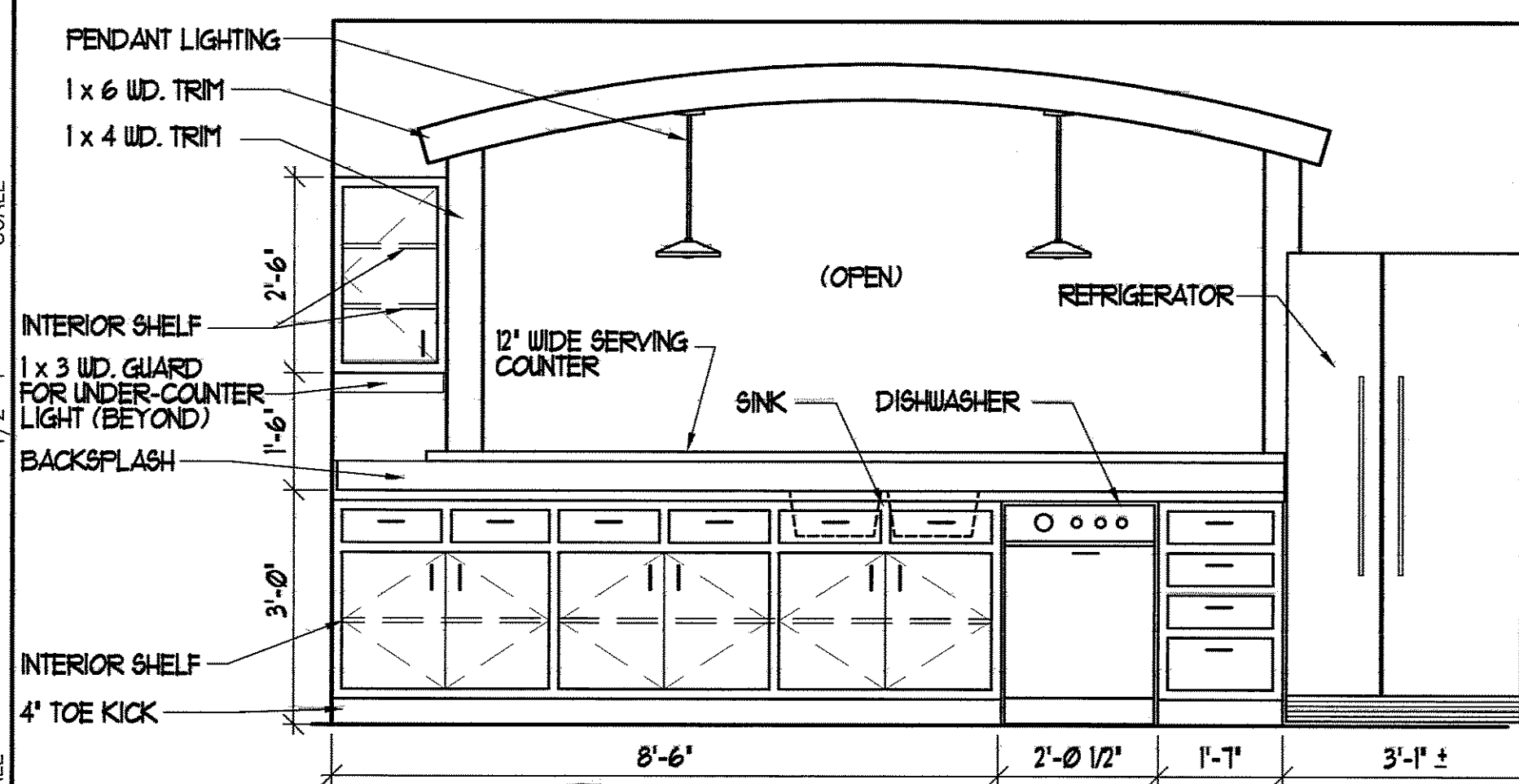
2 GROUP ROOM MILLWORK  
SCALE: 1/2" = 1'-0"



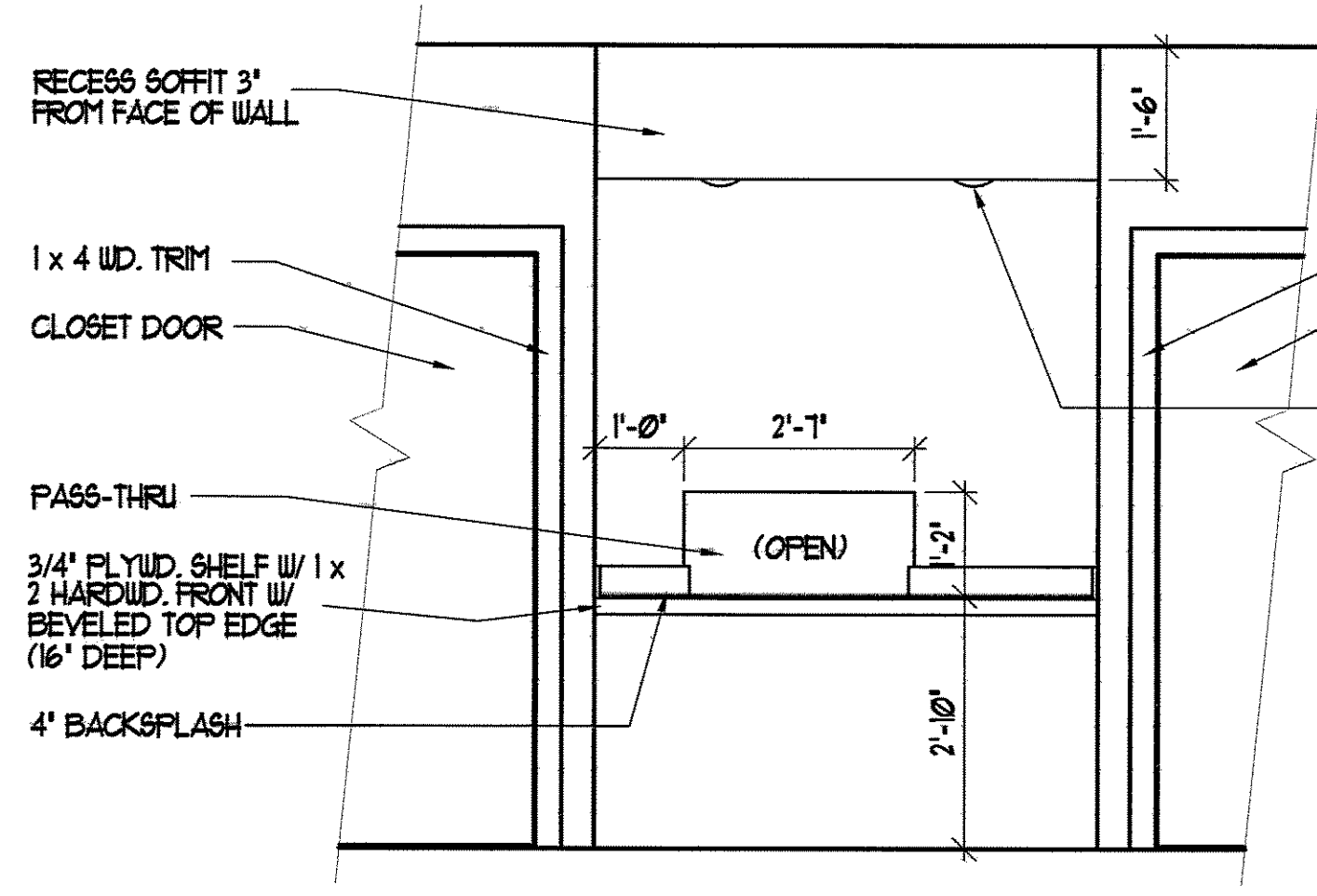
3 KITCHEN MILLWORK  
SCALE: 1/2" = 1'-0"



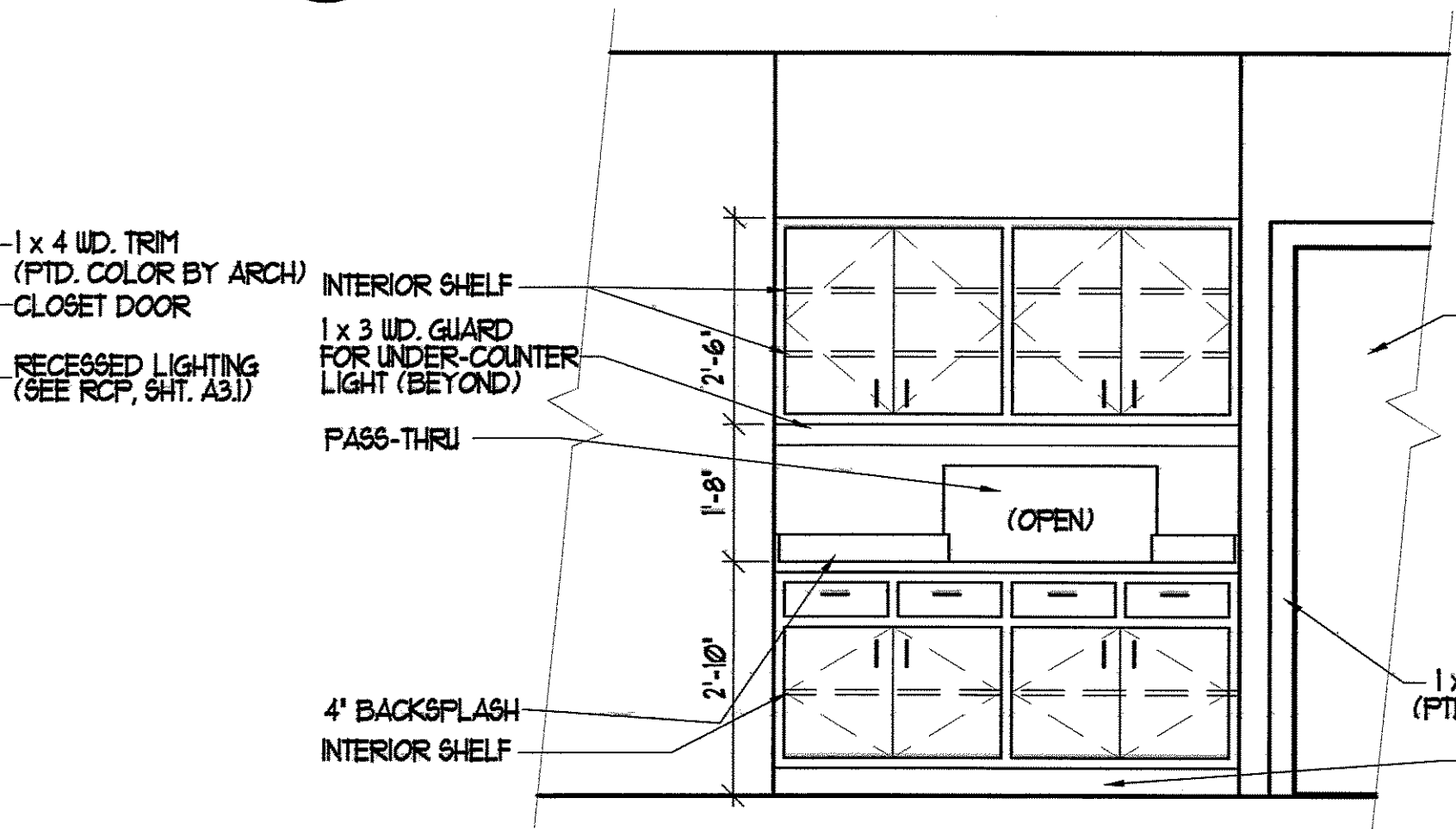
4 LIBRARY SHELVING  
SCALE: 1/2" = 1'-0"



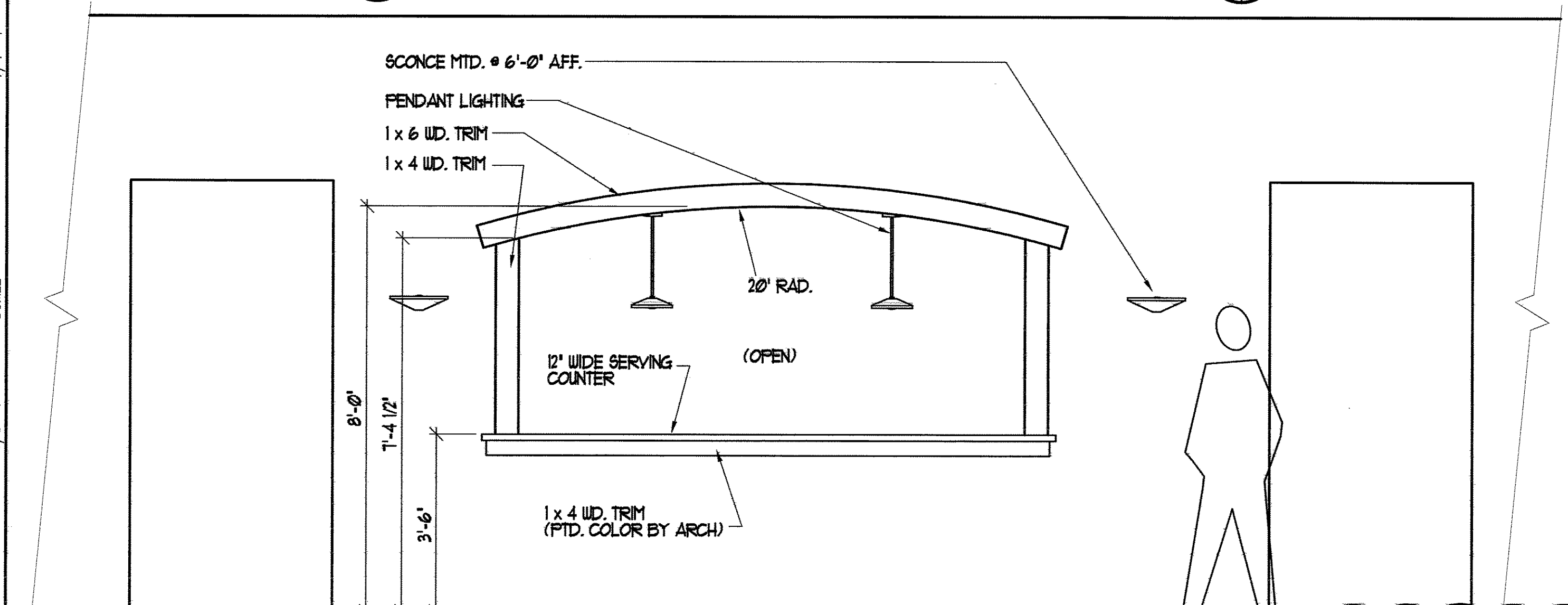
5 KITCHEN MILLWORK  
SCALE: 1/2" = 1'-0"



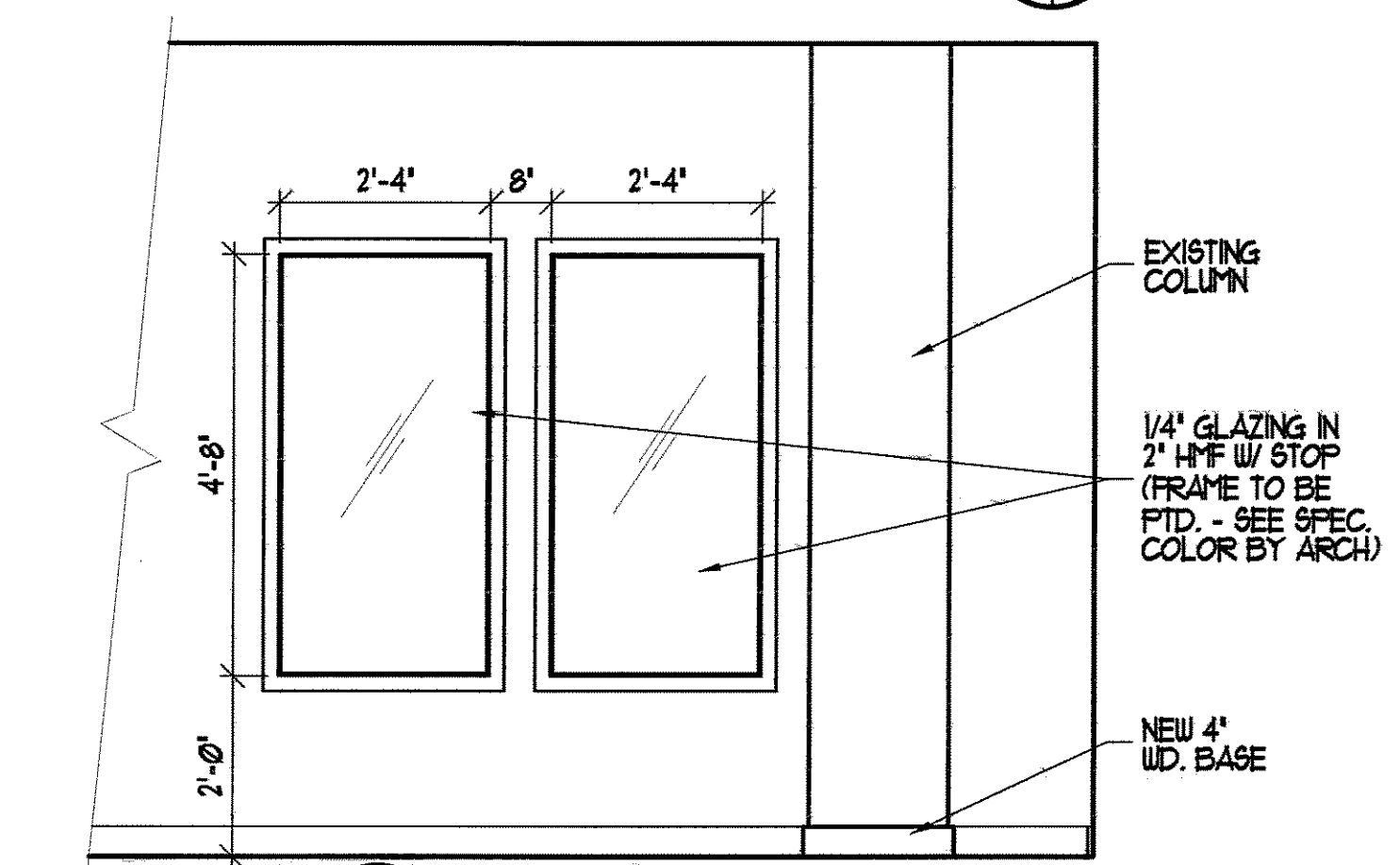
6 SERVING COUNTER  
SCALE: 1/2" = 1'-0"



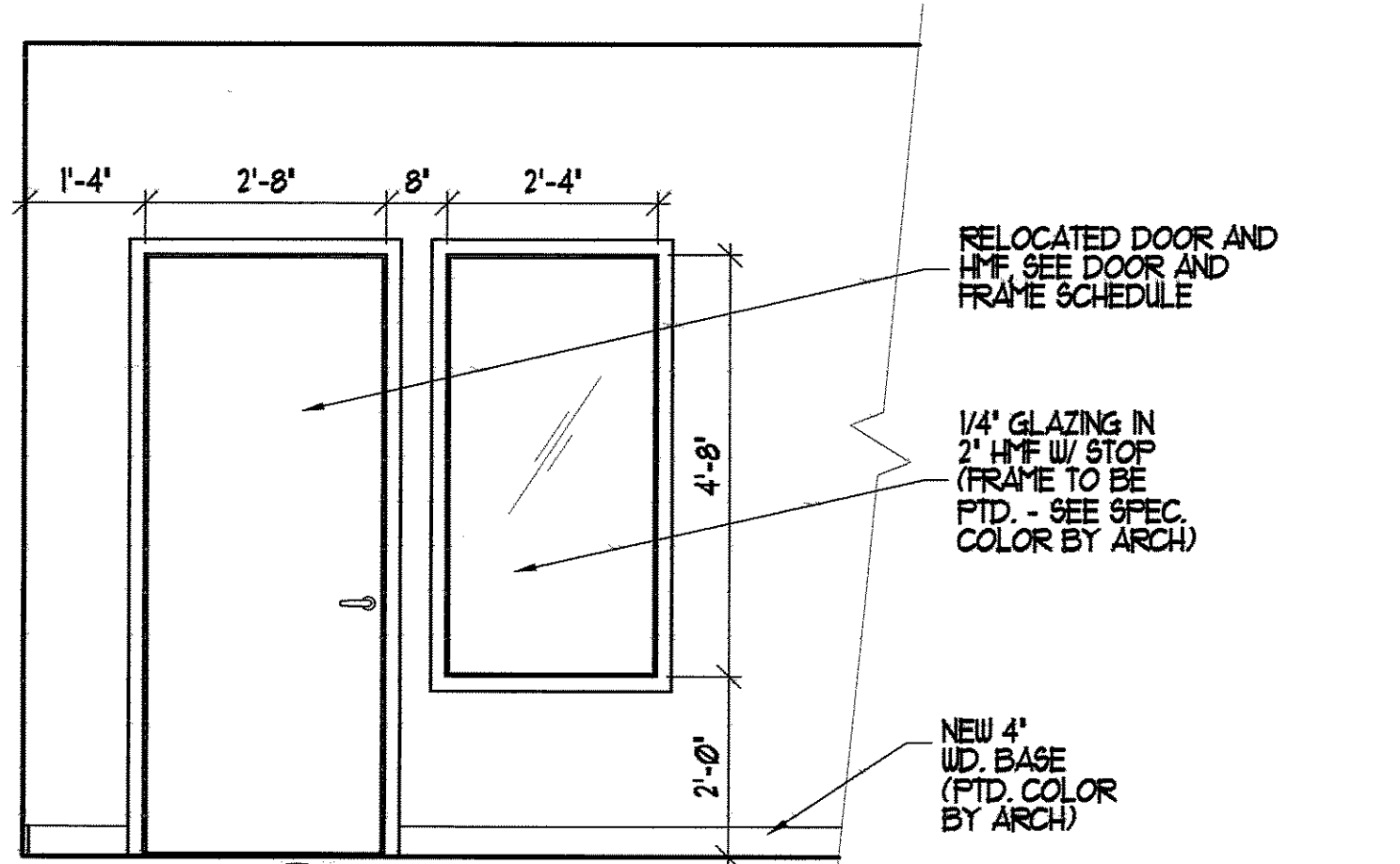
7 SERVING COUNTER  
SCALE: 1/2" = 1'-0"



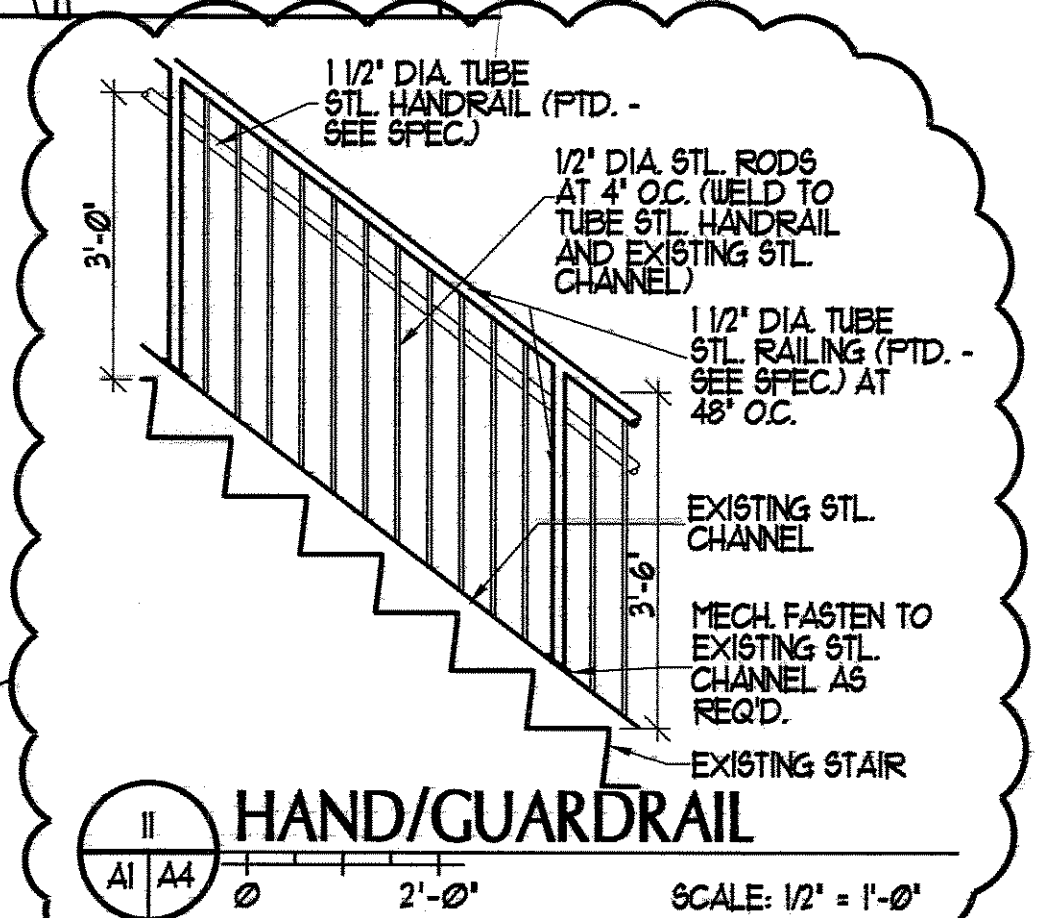
8 INT. ELEVATION - SERVING COUNTER  
SCALE: 1/2" = 1'-0"



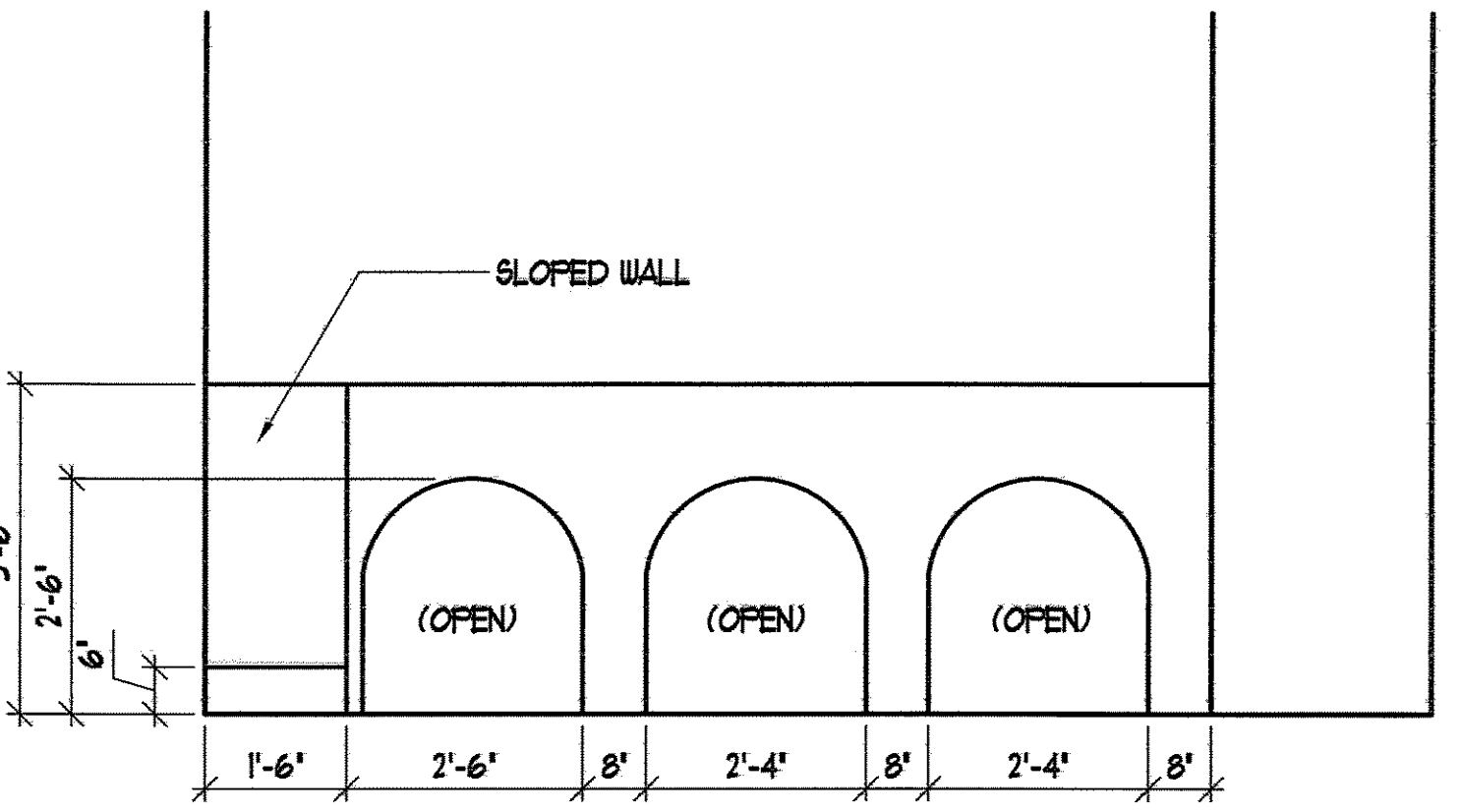
9 BORROWED LIGHTS  
SCALE: 1/2" = 1'-0"



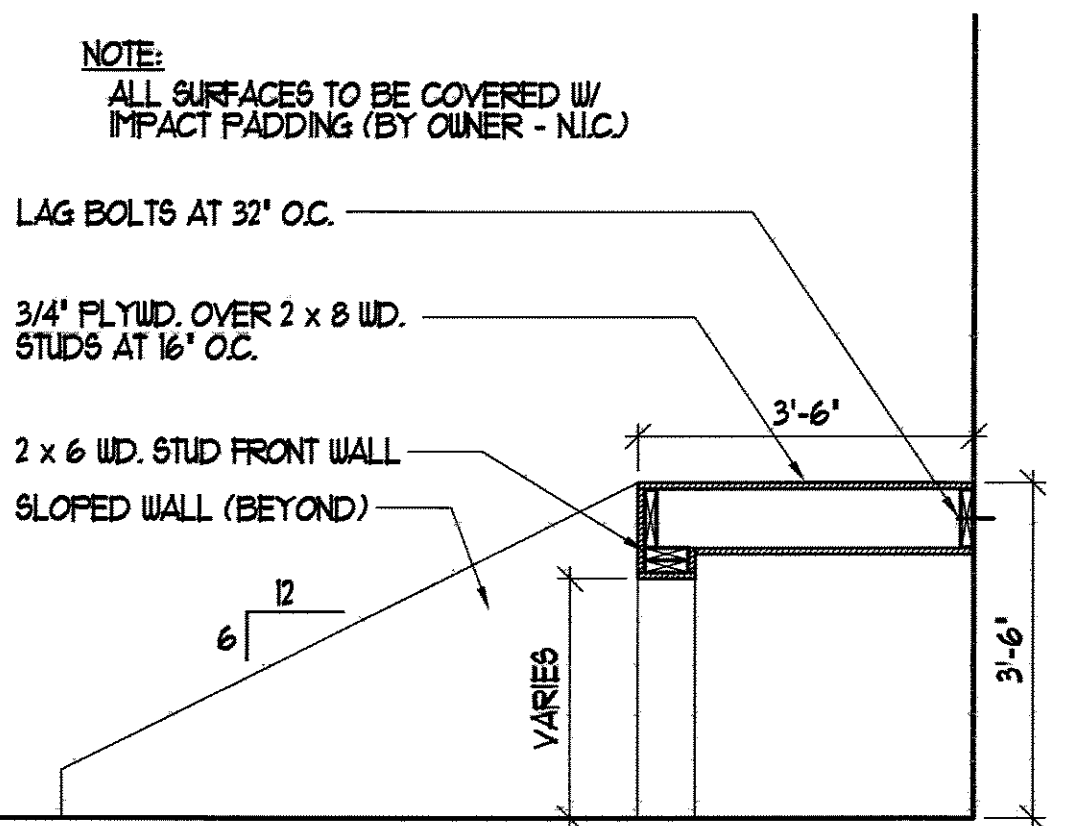
10 BORROWED LIGHT  
SCALE: 1/2" = 1'-0"



11 HAND/GUARDRAIL  
SCALE: 1/2" = 1'-0"



12 VOLCANO LOFT ELEVATION  
SCALE: 1/2" = 1'-0"



13 VOLCANO LOFT SECTION  
SCALE: 1/2" = 1'-0"

**MILLWORK NOTES:**  
 A. CONTRACTOR TO FIELD VERIFY ALL DIMENSIONS. PROVIDE AND INSTALL SOLID W.D. BLOCKING IN WALLS FOR ANCHORING ALL MILLWORK.  
 B. COUNTERTOPS AND BACKSPASHES TO BE FLAKEBOARD W/ PLASTIC LAMINATE ON ALL EXPOSED SURFACES (COLOR BY ARCH. - SEE SPEC).  
 C. ALL EXPOSED SURFACES TO BE PLASTIC LAM. (SEE SPEC. - COLOR BY ARCH).  
 D. ALL INTERIOR SHELVES TO BE 3/4\"/>

**NOTE:**  
 ALL SURFACES TO BE COVERED W/ IMPACT PADDING (BY OWNER - N.I.C.)  
 LAG BOLTS AT 32\"/>

**PORT CITY ARCHITECTURE**  
 65 NEWBURY STREET  
 PORTLAND, ME 04101  
 207.761.9000  
 fax: 207.761.2010  
 info@portcityarch.com



**FOR CONSTRUCTION**

**CONSULTANTS:**

**Allied / Cook Construction**  
 John S. Brockington  
 Preconstruction Mgr.  
 P.O. Box 1396  
 Portland, Maine 04104  
 (207) 712-2888  
 (207) 885-5135 fax

**Johnson and Jordan Mechanical Contractors**  
 Mike Johnson P.E.  
 13 Mussey Road  
 Scarborough, ME 04074  
 (207) 883-8345  
 (207) 883-8619 fax

**Seabee Electric**  
 Charles Hascall President  
 84 Pleasant Hill Road  
 Scarborough, ME 04074  
 (207) 883-5448

**CENTER FOR GRIEVING CHILDREN**

555 FOREST AVE  
 Portland, Maine 04103

NO.	DATE	DESCRIPTION
4	4-14-06	CONSTRUCTION SET
3	3-21-06	PERMIT SET
2	2-11-06	DESIGN DEVELOPMENT
1	1-4-06	SCHEMATIC DESIGN

**REVISIONS**

Date Issued: \_\_\_\_\_ Date - Year: \_\_\_\_\_

Project Number: **05109**

Drawing Scale: \_\_\_\_\_

SHEET NAME: **INTERIOR ELEVATIONS**

Drawn By: \_\_\_\_\_

Checked By: \_\_\_\_\_

**A4**