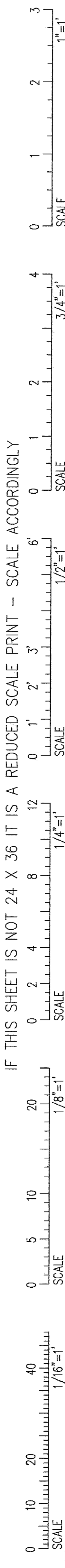
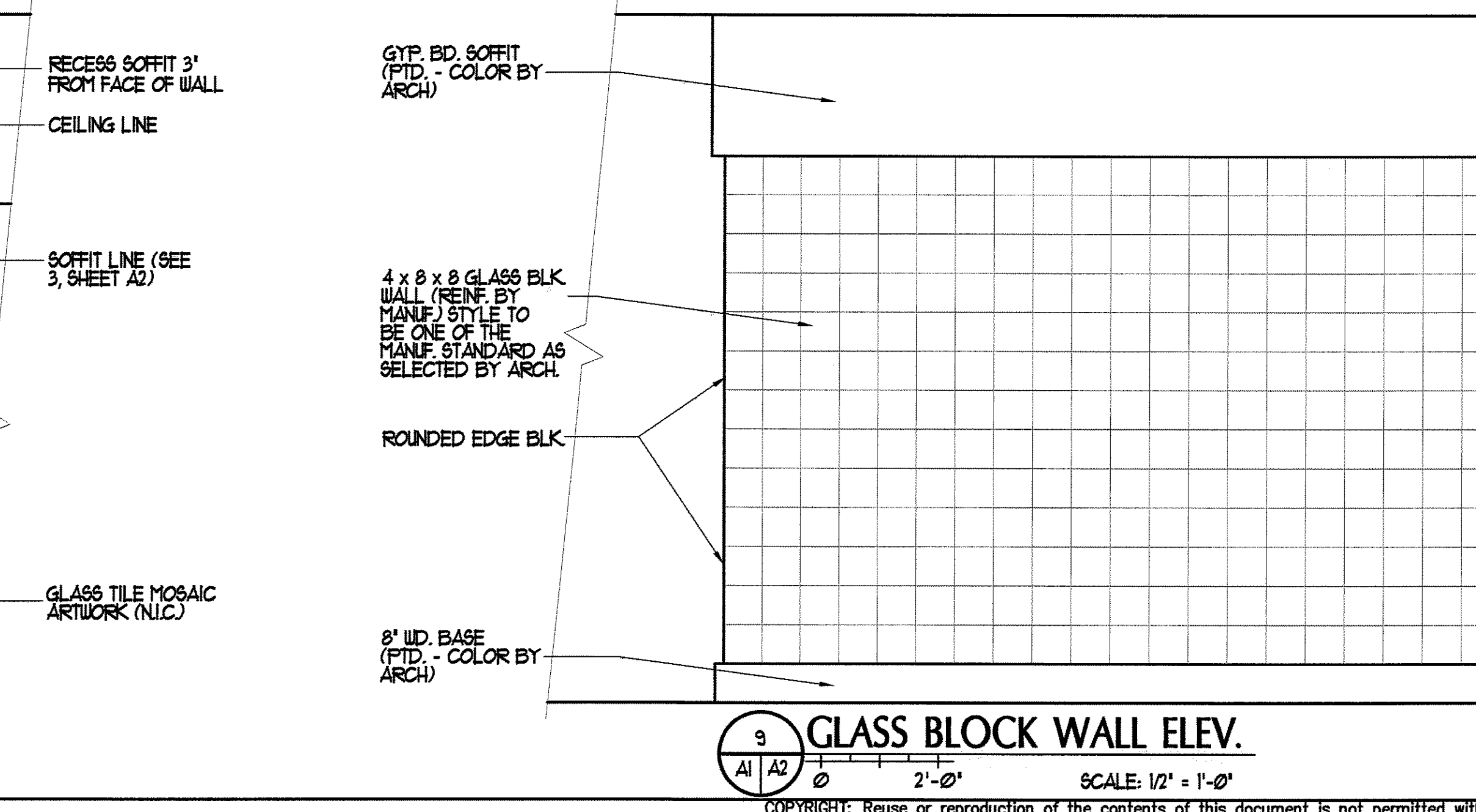
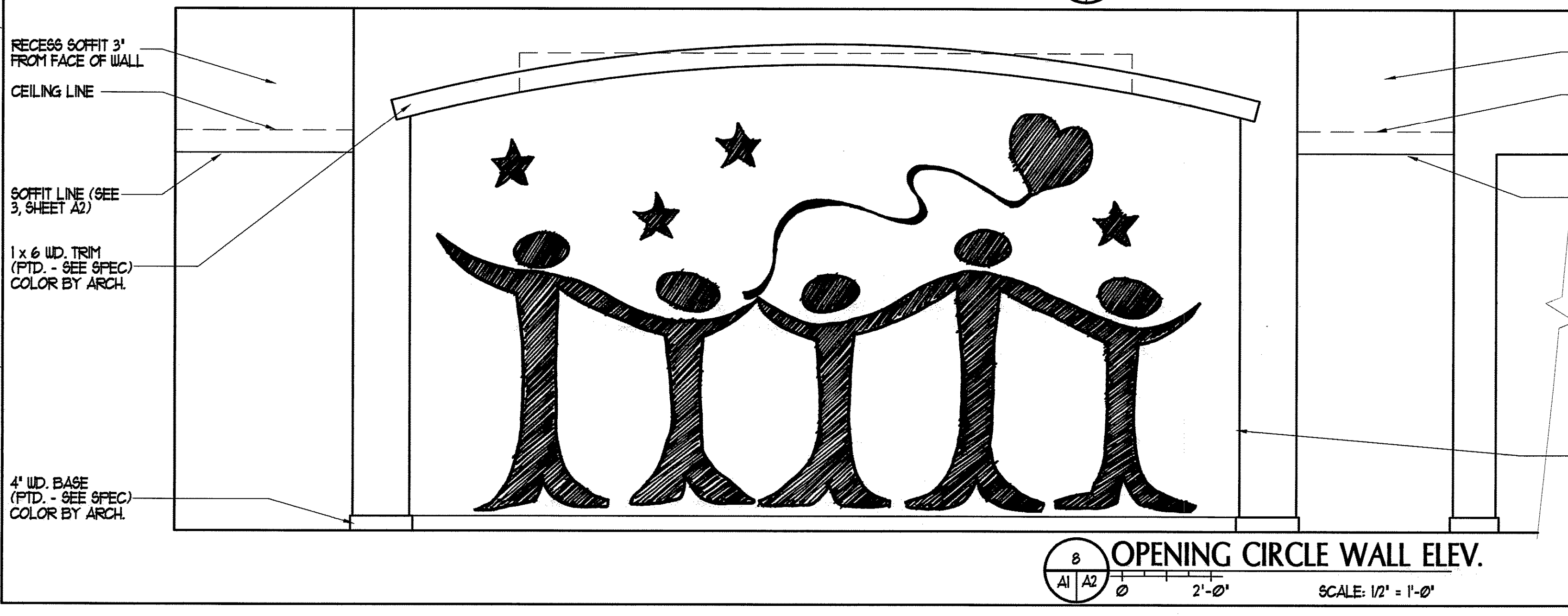
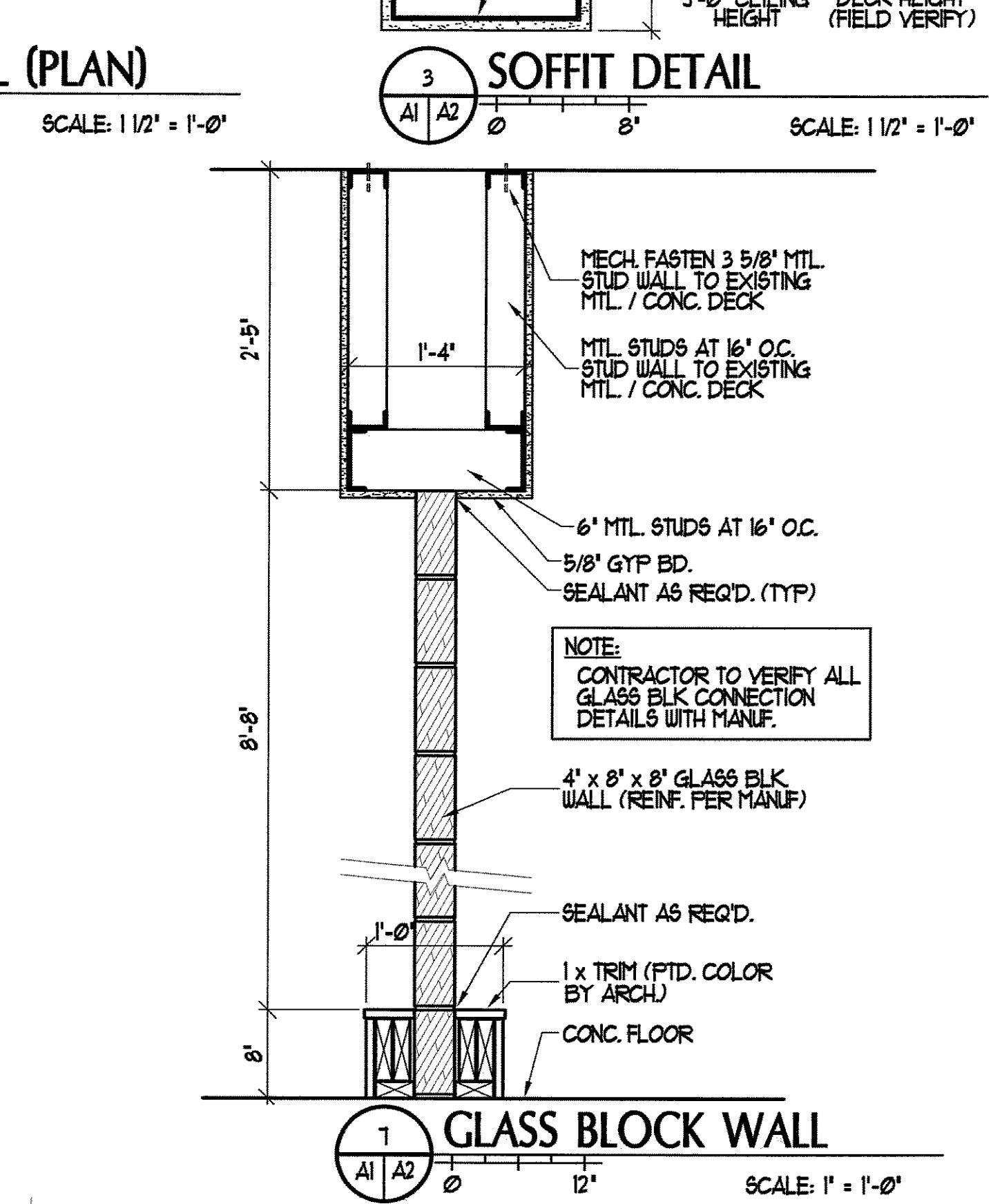
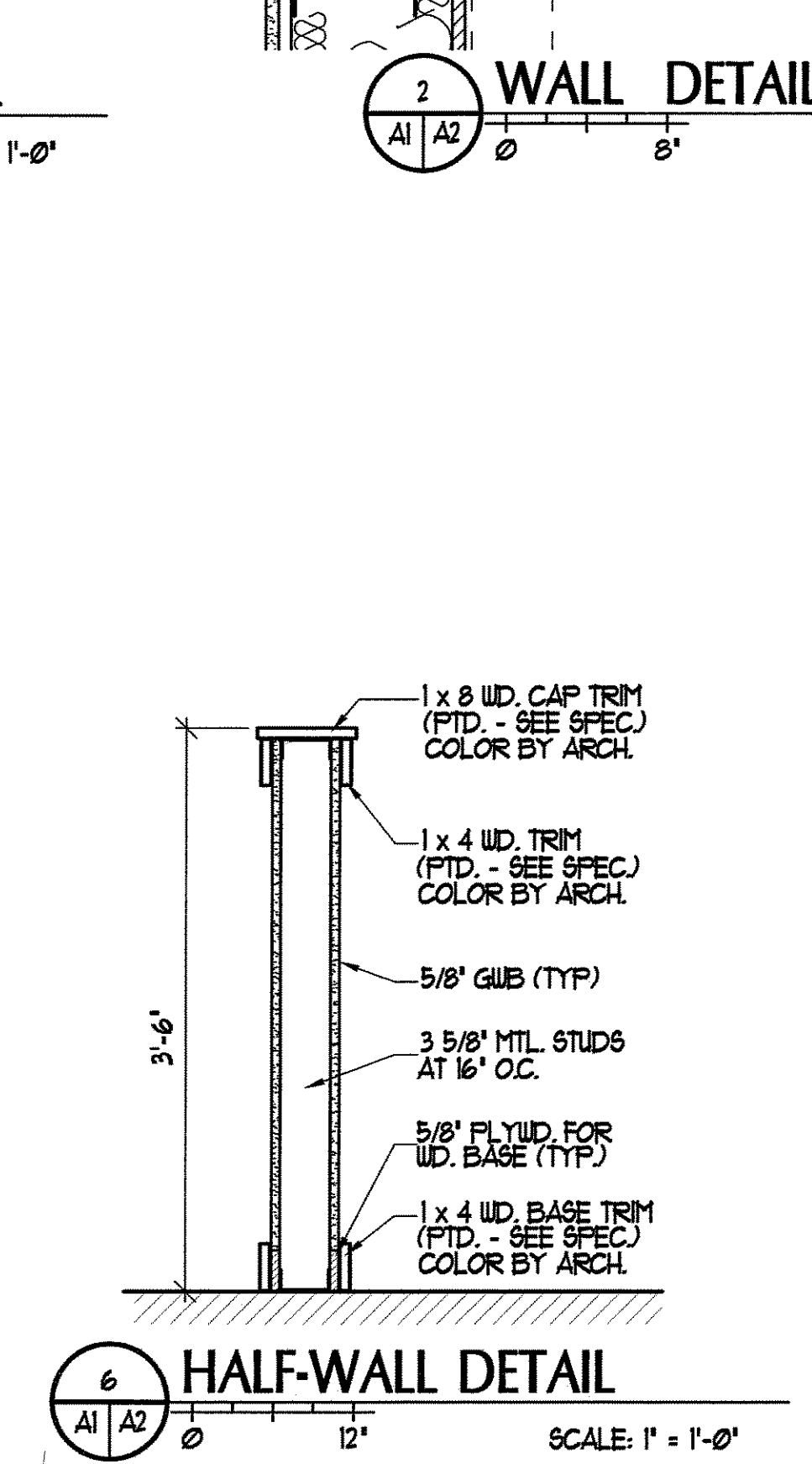
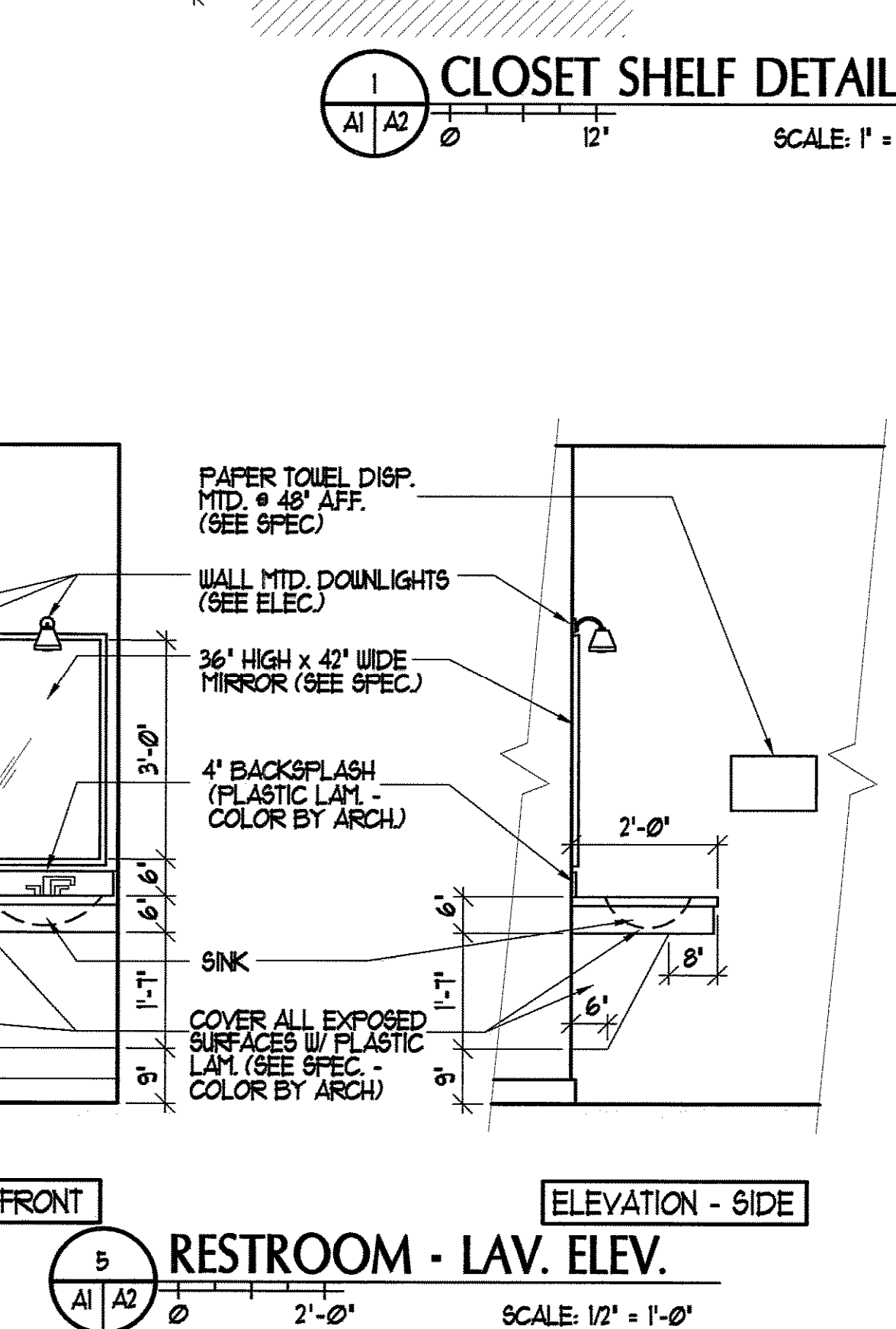
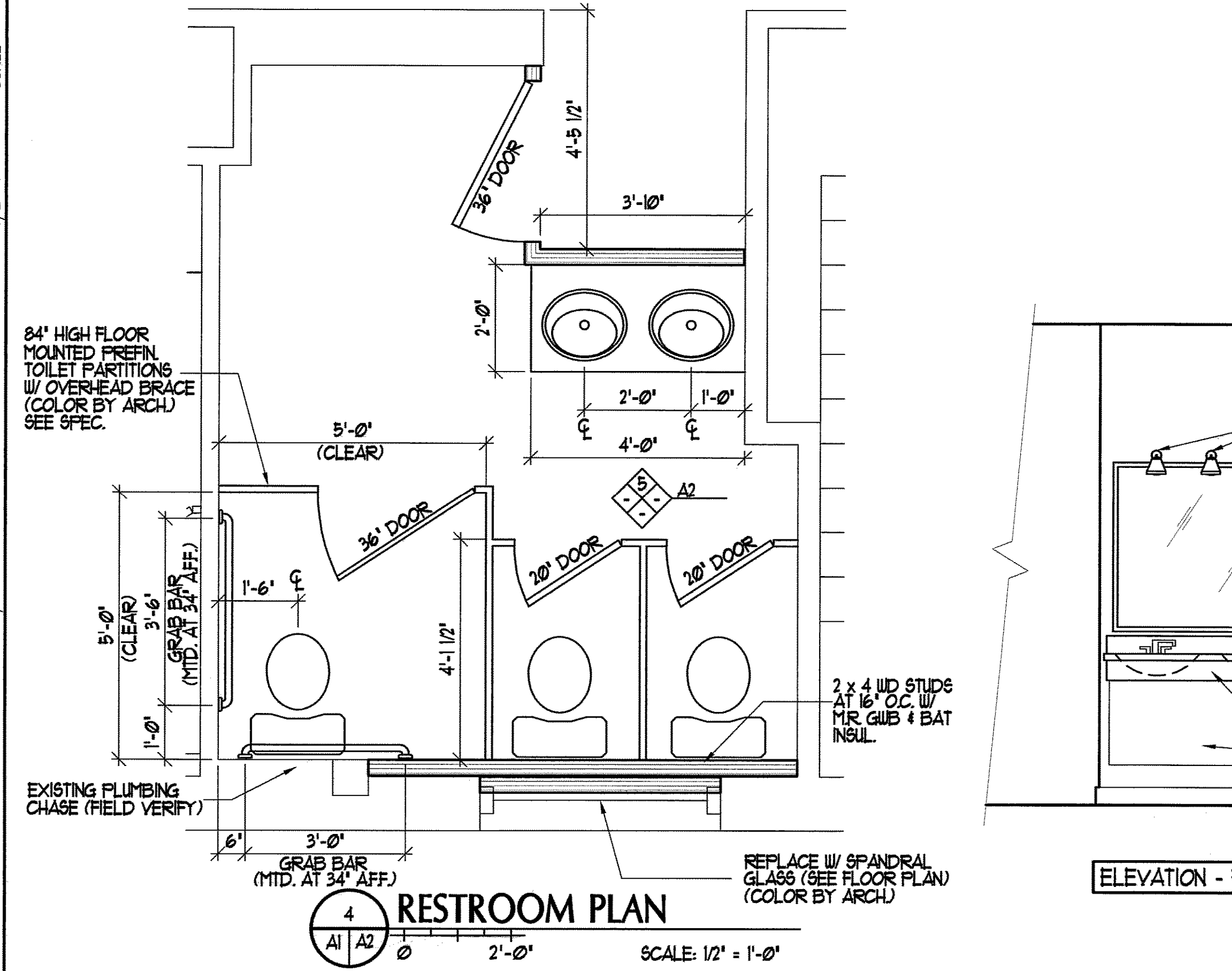
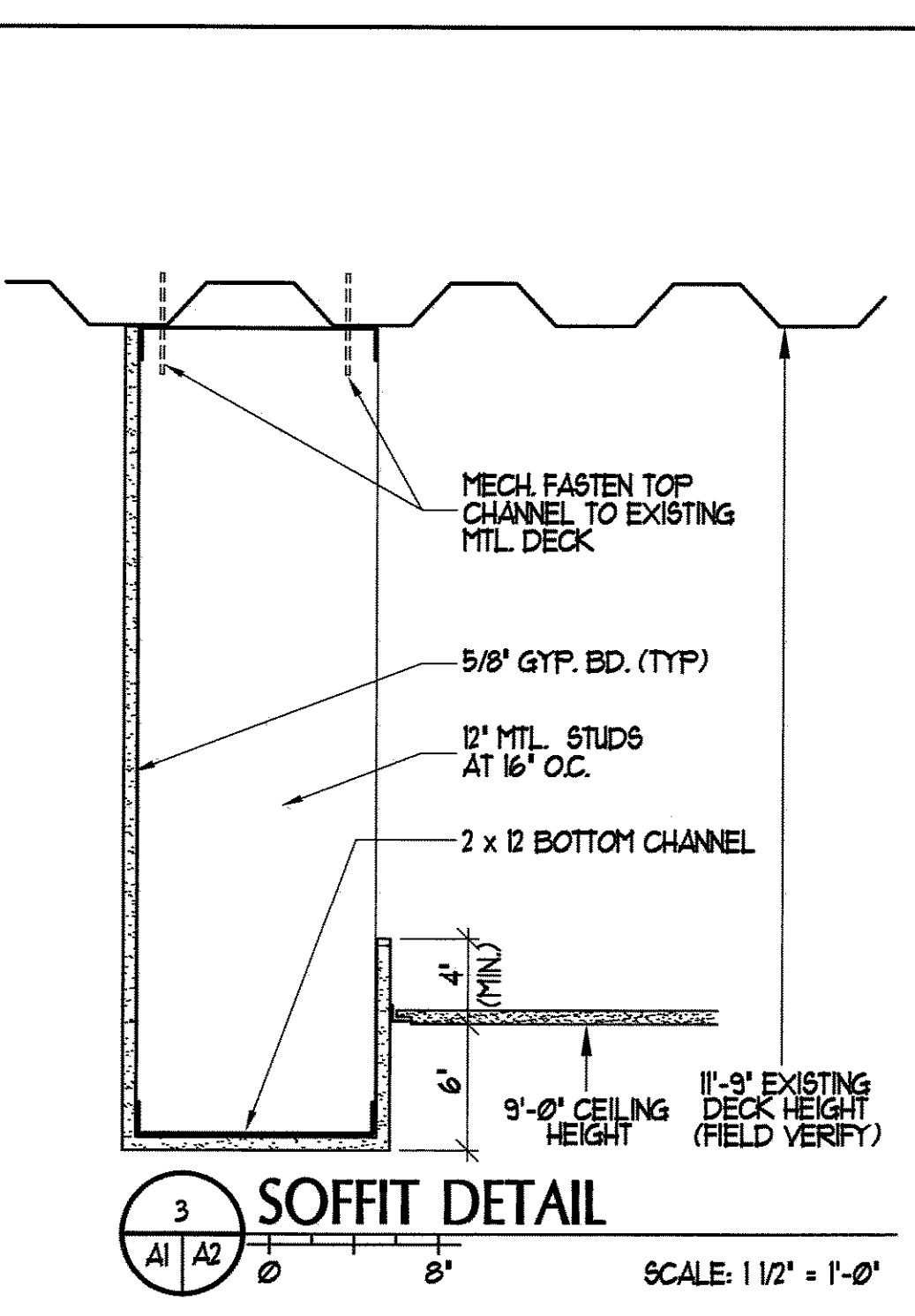
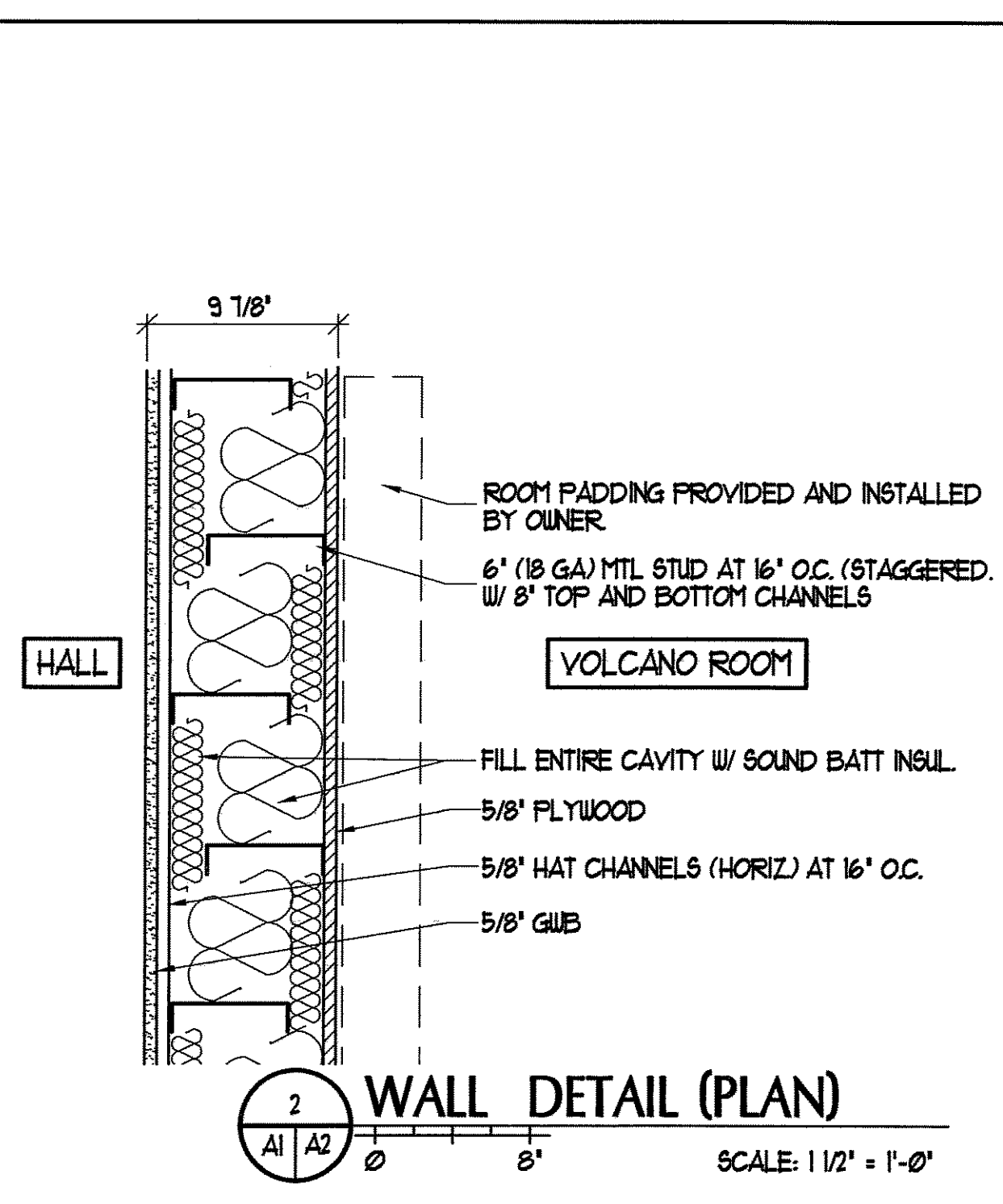
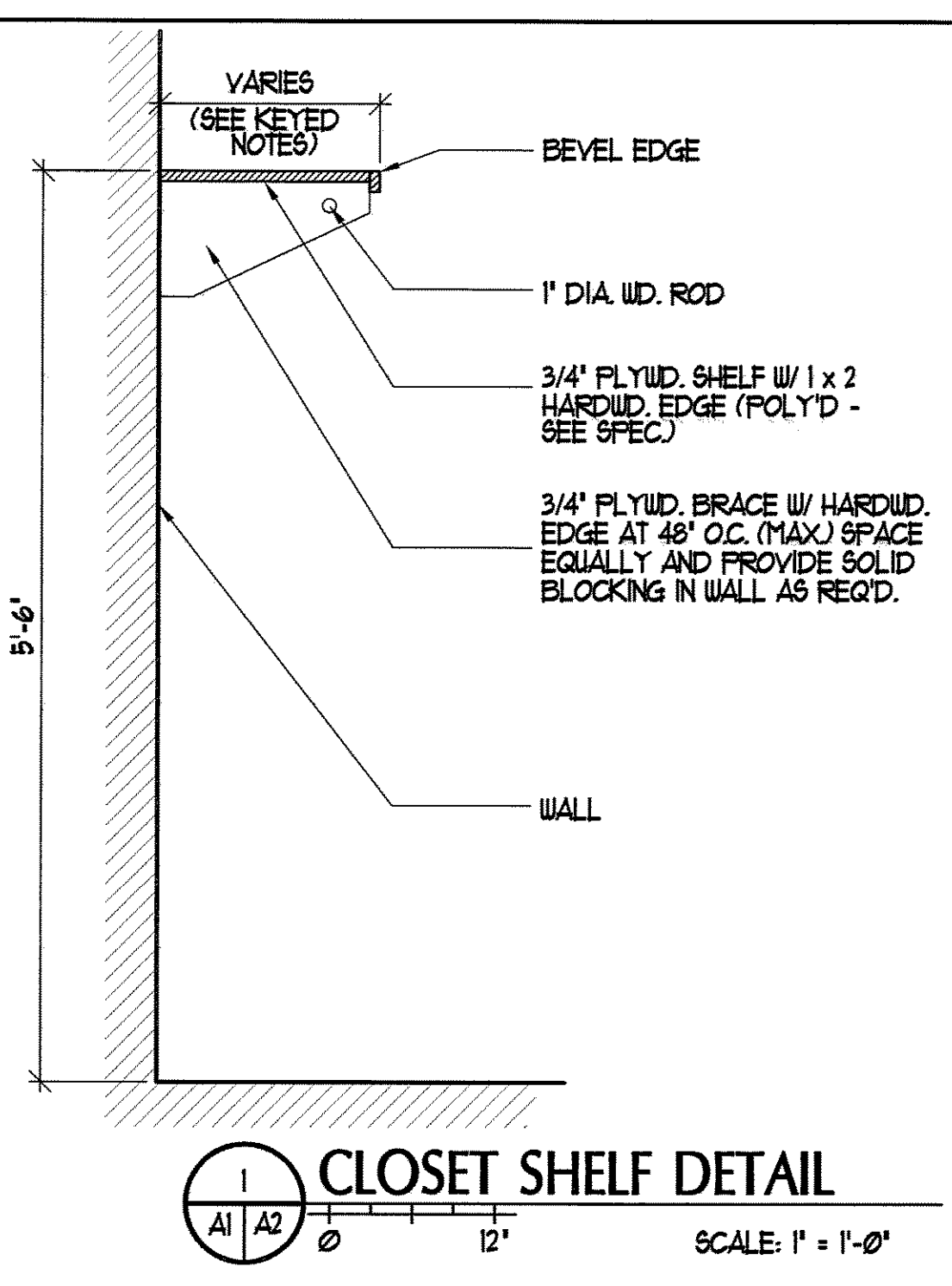


IF THIS SHEET IS NOT 24 X 36 IT IS A REDUCED SCALE PRINT - SCALE ACCORDINGLY



DOOR SCHEDULE												
FLOOR	NUM	DESCRIPTION	SIZE	DOOR	FRAME	DETAIL					NOTES	
				MAT	TYPE	RATING	MAT	HEAD	JAMB	SILL	H / W	
FIRST	104A	FOYER TO COORDINATORS	3'-0" x 6'-8"	UD	--	--	HMF	--	--	--		SALVAGED DOOR AND FRAME
FIRST	105A	OPENING CIRCLE TO ADULT RM	3'-0" x 6'-8"	UD	--	--	HMF	--	--	--		SALVAGED DOOR AND FRAME
FIRST	106A	OPENING CIRCLE TO ADULT RM	3'-0" x 6'-8"	UD	--	--	HMF	--	--	--		SALVAGED DOOR AND FRAME
FIRST	107A	OPENING CIRCLE TO CHILD RM	3'-0" x 6'-8"	UD	--	--	HMF	--	--	--		SALVAGED DOOR AND FRAME
FIRST	108A	OPENING CIRCLE TO CHILD RM	3'-0" x 6'-8"	UD	--	--	HMF	--	--	--		SALVAGED DOOR AND FRAME
FIRST	109A	HALL TO CHILD RM	3'-0" x 6'-8"	UD	--	--	HMF	--	--	--		SALVAGED DOOR AND FRAME
FIRST	110A	HALL TO CHILD RM	3'-0" x 6'-8"	UD	--	--	HMF	--	--	--		SALVAGED DOOR AND FRAME
FIRST	111A	HALL TO YOUNG ADULT RM	3'-0" x 6'-8"	UD	--	--	HMF	--	--	--		SALVAGED DOOR AND FRAME
FIRST	112A	HALL TO VOLCANO ROOM	3'-0" x 6'-8"	UD	--	--	HMF	--	--	--	A	SOLID CORE DOOR
FIRST	113A	HALL TO WOMEN'S	3'-0" x 6'-8"	UD	--	--	HMF	--	--	--	B	SOLID CORE DOOR
FIRST	114A	HALL TO KITCHEN	3'-0" x 6'-8"	UD	--	--	WD	--	--	--	C	POCKET DOOR
FIRST	116B	KITCHEN TO PANTRY	2'-4" x 6'-8"	UD	--	--	HMF	--	--	--	A	
FIRST	116C	HALL TO KITCHEN	3'-0" x 6'-8"	UD	--	--	WD	--	--	--	C	POCKET DOOR
FIRST	118A	HALL TO CLOSET	6'-0" x 6'-8"	UD	--	--	UD	--	--	--		DBL 36" SLIDER
FIRST	120A	HALL TO CLOSET	6'-0" x 6'-8"	UD	--	--	UD	--	--	--		DBL 36" SLIDER
FIRST	121A	HALL TO STAIR	3'-0" x 6'-8"	UD	--	--	HMF	--	--	--	D	45 MIN DOOR AND FRAME
FIRST	121B	HALL TO EXTERIOR	3'-0" x 6'-8"	ALUM	--	--	ALUM	--	--	--	E	STOREFRONT FULL-LITE W/ PANIC H/W
FIRST	122A	STAIR TO ENTRY	3'-0" x 6'-8"	UD	--	--	HMF	--	--	--	F	45 MIN DOOR AND FRAME
FIRST	122B	STAIR TO EXTERIOR	3'-0" x 6'-8"	MTL	--	--	HMF	--	--	--	G	INSUL MTL DOOR AND FRAME
SECOND	202A	HALL TO BEREAVEMENT	3'-0" x 6'-8"	UD	--	--	UD	--	--	--		SALVAGED DOOR
SECOND	207A	HALL TO OUTREACH	3'-0" x 6'-8"	UD	--	--	UD	--	--	--		SALVAGED DOOR
SECOND	208A	HALL TO TLC	3'-0" x 6'-8"	UD	--	--	UD	--	--	--		SALVAGED DOOR
SECOND	215A	TRAINING TO CLOSET	4'-8" x 6'-8"	UD	--	--	UD	--	--	--		DBL 28" SLIDER
SECOND	215B	TRAINING TO CLOSET	4'-8" x 6'-8"	UD	--	--	UD	--	--	--		DBL 28" SLIDER
SECOND	215C	TRAINING TO CLOSET	4'-8" x 6'-8"	UD	--	--	UD	--	--	--		DBL 28" SLIDER
SECOND	218A	HALL TO CLOSET	4'-8" x 6'-8"	UD	--	--	UD	--	--	--		DBL 28" SLIDER
SECOND	218B	HALL TO CLOSET	4'-8" x 6'-8"	UD	--	--	UD	--	--	--		DBL 28" SLIDER
SECOND	220A	HALL TO STAIR	3'-0" x 6'-8"	UD	--	--	HMF	--	--	--	D	45 MIN DOOR AND FRAME
SECOND	221A	FAMILY WELCOME AREA TO STAIR	3'-0" x 6'-8"	UD	--	--	HMF	--	--	--	H	45 MIN DOOR AND FRAME



PORT CITY ARCHITECTURE
65 NEWBURY STREET
PORTLAND, ME 04101
207.761.9000
fax: 207.761.2010
info@portcityarch.com

REGISTERED ARCHITECT
STATE OF MAINE
NO. 2887

FOR CONSTRUCTION

CONSULTANTS:

Allied / Cook Construction
John S. Brockington
Preconstruction Mgr.
P.O. Box 1396
Portland, Maine 04104
(207) 712-2888
(207) 885-5135 fax

Johnson and Jordan Mechanical Contractors
Mike Johnson P.E.
18 Mussey Road
Scarborough, ME 04074
(207) 883-8345
(207) 883-8619 fax

Seabee Electric
Charles Hascall, President
84 Pleasant Hill Road
Scarborough, ME 04074
(207) 883-5448

CENTER FOR GRIEVING CHILDREN
555 FOREST AVE
Portland, Maine 04103

4	4-14-06	CONSTRUCTION SET
3	3-21-06	PERMIT SET
2	2-11-06	DESIGN DEVELOPMENT
1	1-4-06	SCHEMATIC DESIGN
*	DATE	DESCRIPTION

REVISIONS

Date Issued: _____ Date - Year: _____
Project Number: **05109**
Drawing Scale: _____ SHEET NAME: **DOOR AND FRAME SCHEDULE, DETAILS**
Drawn By: _____
Checked By: _____

A2