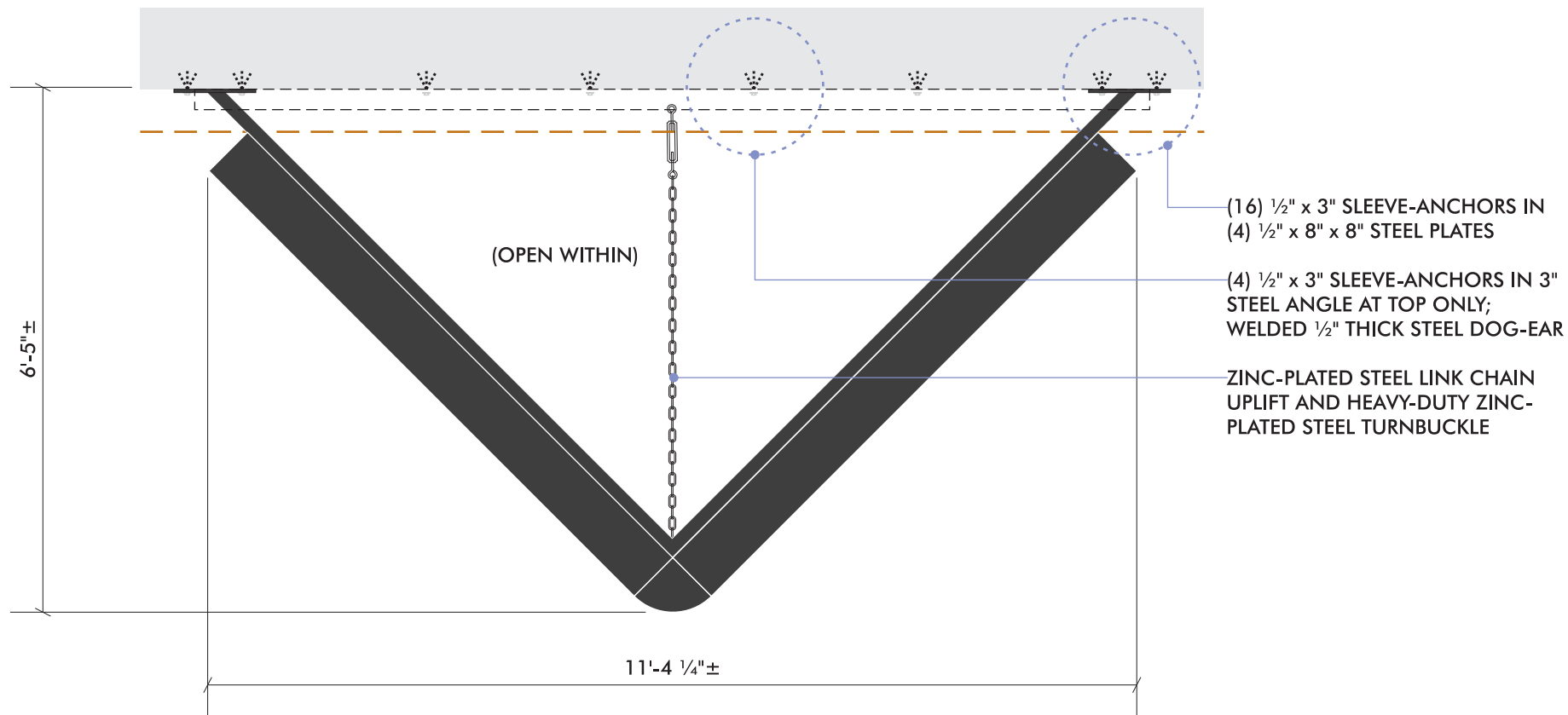


LOK-BOLT™ ANCHORING SYSTEM AS MFG BY POWERS FASTENERS, NEW ROCHELLE, NY OR EQUAL; A PRE-ASSEMBLED SINGLE UNIT SLEEVE ANCHOR FOR ANCHORING INTO SOLID AND HOLLOW CONCRETE AND MASONRY SUBSTRATES; PATENTED COMPRESSION RING PULLS FIXTURE FLUSH TO THE WORK SURFACE

SEE http://www.powers.com/product_06160.html

SLEEVE-ANCHOR MOUNTING DETAIL
NOT TO SCALE



PLAN VIEW
SCALE: 1/2" = 1'-0"



EXTRUDED ALUMINUM CABINET AND RETAINERS PAINTED BLACK, ACRYLIC FACES, TRANS VINYL GRAPHICS

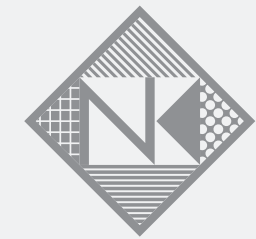
DOUBLE-FACE (V-MNTG) 20 MM MONO 32 x 112 RED ELECTRONIC DISPLAYS

FABRICATED ALUMINUM FILLER AT NOSE

NORMAL VIEW—DOUBLE-FACE "V" INT. ILLUM. PROJ. ID
SCALE: 1/2" = 1'-0" (1) REQUIRED



PHOTO-COMPOSITE
NOT TO SCALE: 1/4" = 1'-0"±



Neokraft
SIGN S

Neokraft Signs Inc.
686 Main Street
Lewiston, Maine 04240
Telephone: 207.782.9654
Facsimile: 207.782.0009
1.800.339.2258
<http://www.neokraft.com>

Custom Sign Fabrication

These plans are the exclusive property of Neokraft Signs, Inc. and are the result of the original work of its employees. They are submitted to Neokraft's client for the sole purpose of consideration of whether to purchase these plans or to purchase from Neokraft a sign manufactured according to these plans.

Distribution or exhibition of these plans to anyone other than employees of said client, or use of these plans to construct a sign similar to the one embodied herein, is expressly forbidden. In the event that such exhibition or construction occurs, Neokraft expects to be reimbursed \$1500 in compensation for time and effort entailed in creating these plans.

Coastal Trading & Pawn 16895

| PERMIT | |
|--------------|--------------------------------|
| Location: | 543 Forest Ave Portland, ME |
| Drawing No.: | 1 of 2 |
| Drawn by: | DS Rep.: RM |
| Date: | 06.12.2013 |
| Lead No.: | ML019155 |
| Gen Ref.: | 3723 |