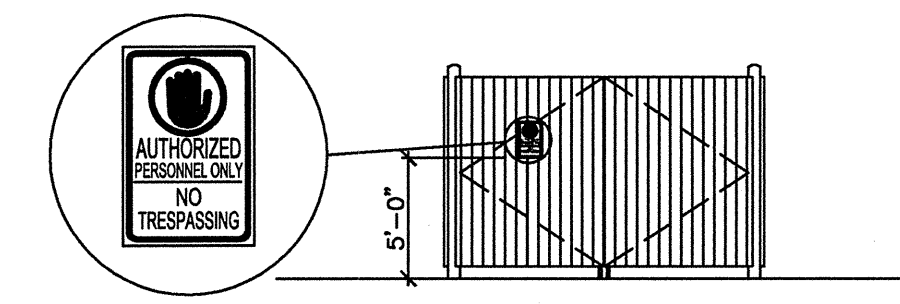
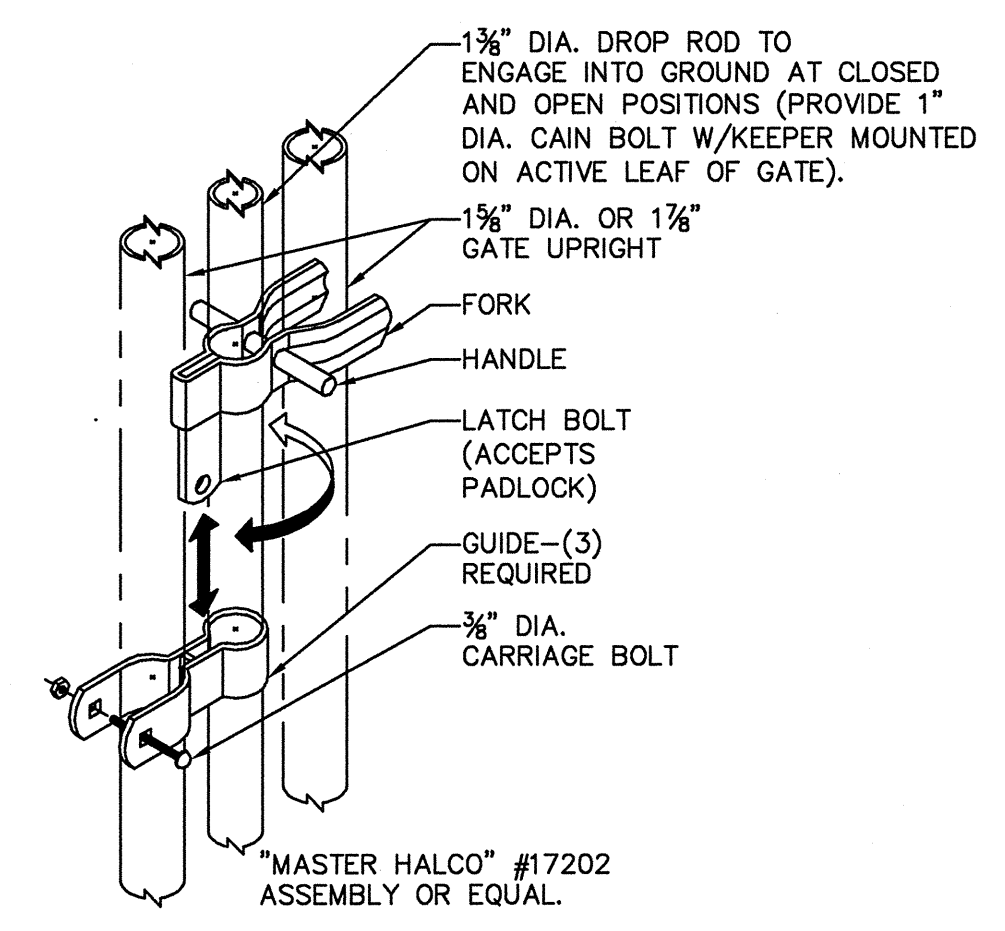


DRAWINGS/SPECIFICATIONS BY:  
 WALGREENS  
 LANDLORD'S CONSULTANT  
 ALL CONSTRUCTION WORK, UNLESS NOTED OTHERWISE, BY:  
 WALGREENS CONTRACTOR  
 LANDLORD'S CONTRACTOR (TURNKEY CONSTRUCTION)

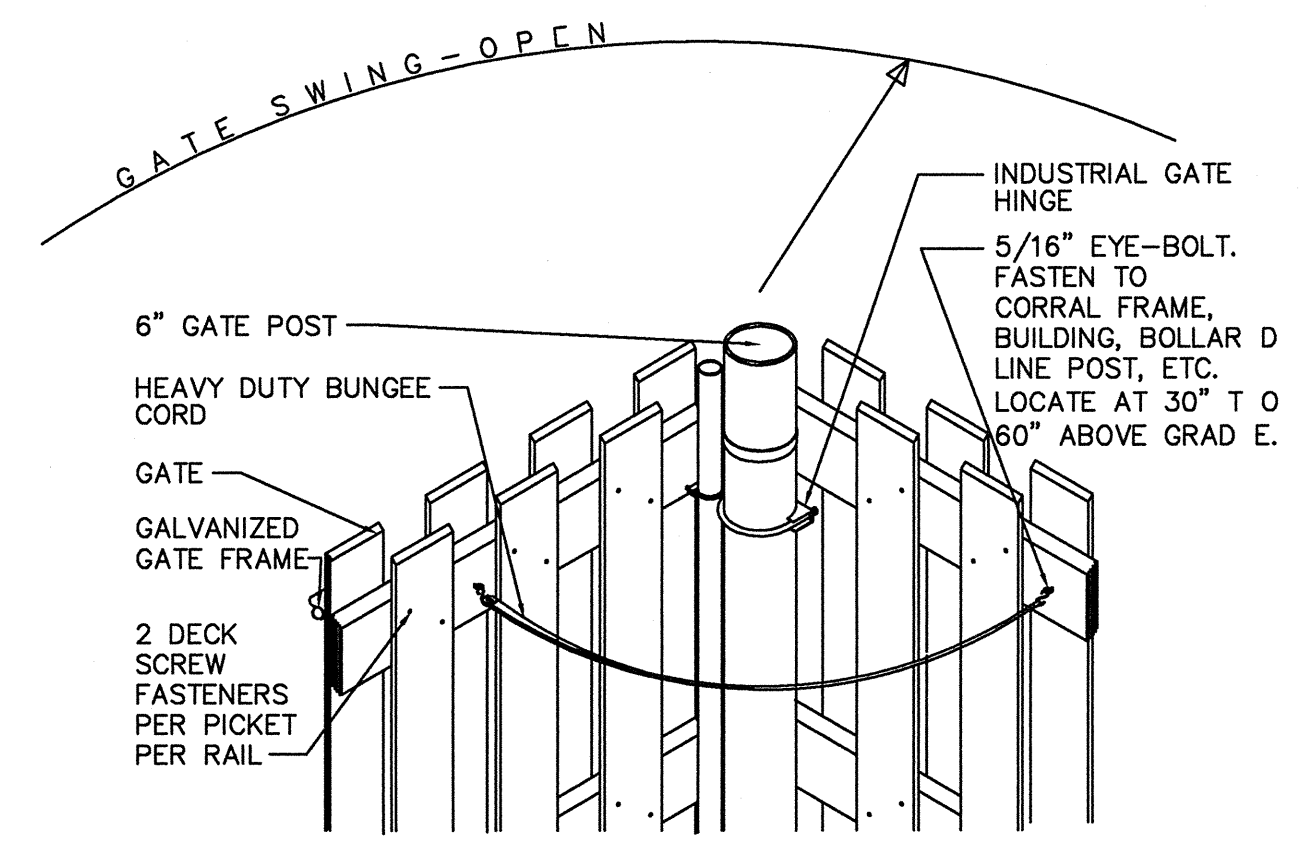
STORE	BUILDING
NEW . . . . . <input checked="" type="checkbox"/>	NEW . . . . . <input type="checkbox"/>
REMODELING . . . . . <input type="checkbox"/>	EXISTING . . . . . <input checked="" type="checkbox"/>
RELOCATION . . . . . <input type="checkbox"/>	NEW SHELL ONLY . . . . . <input type="checkbox"/>
OTHERS . . . . . <input type="checkbox"/>	



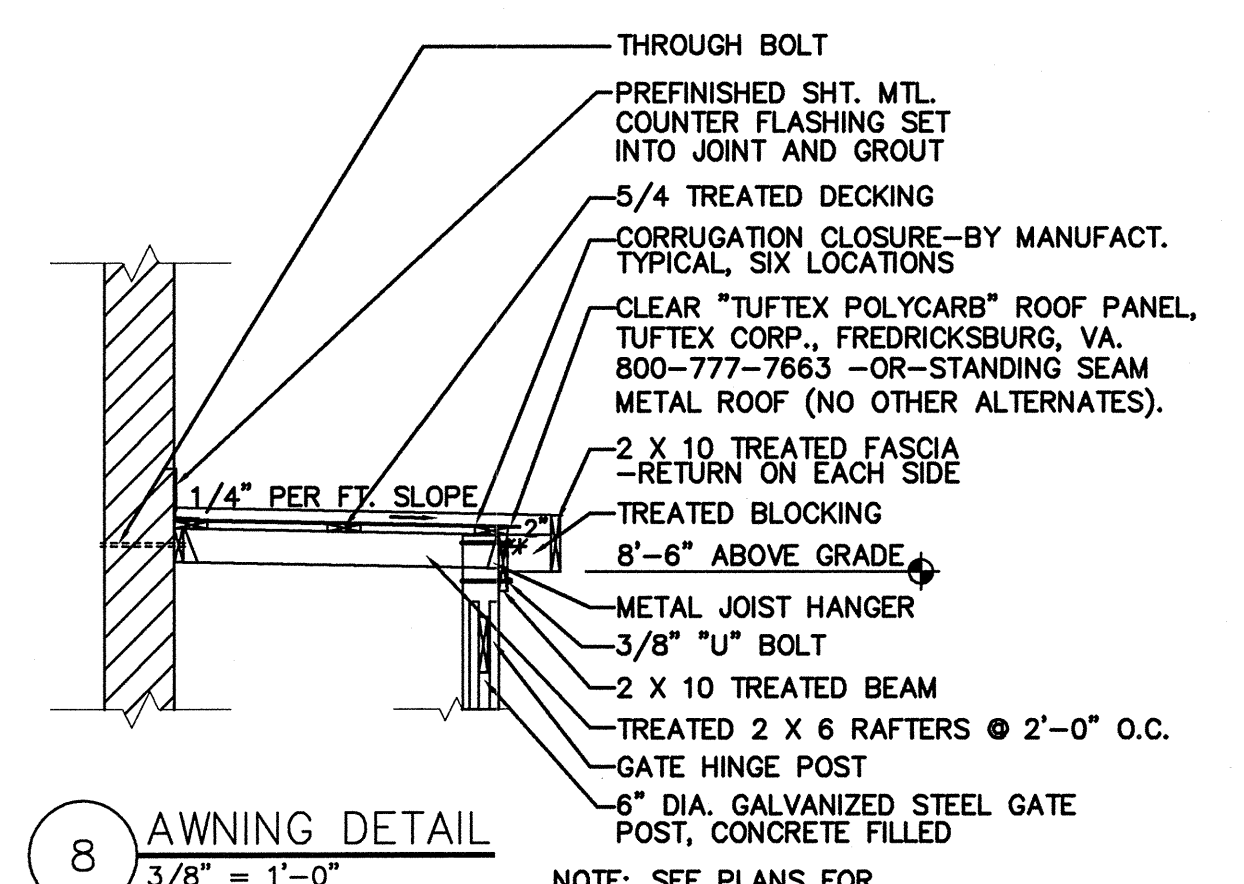
**ELEVATION – SIGN PLACEMENT**  
NOT TO SCALE



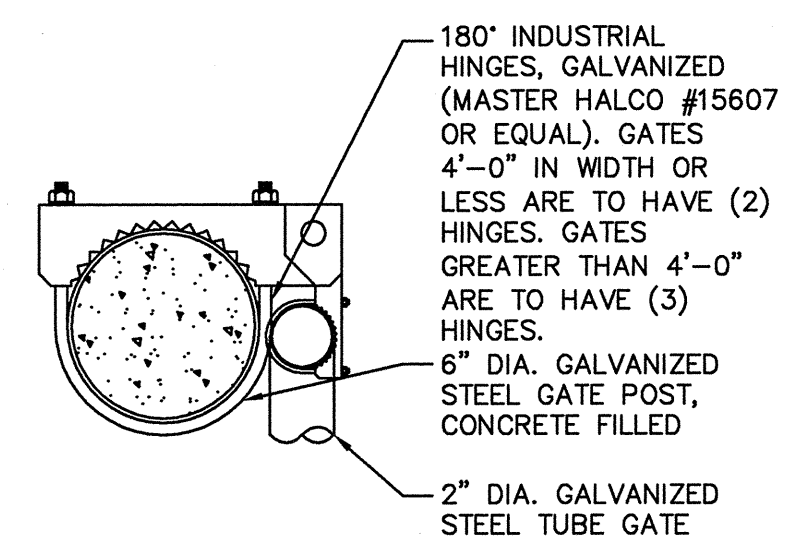
**INDUSTRY LATCH W/DROP ROD AND GATE HINGE**  
NOT TO SCALE



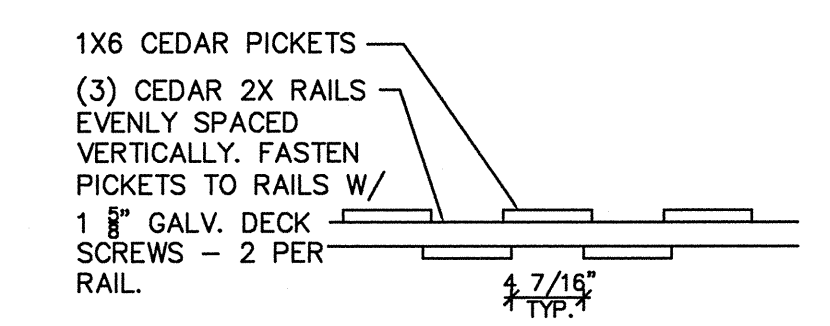
**GATE HOLD-OPEN**  
NOT TO SCALE



**AWNING DETAIL**  
NOT TO SCALE

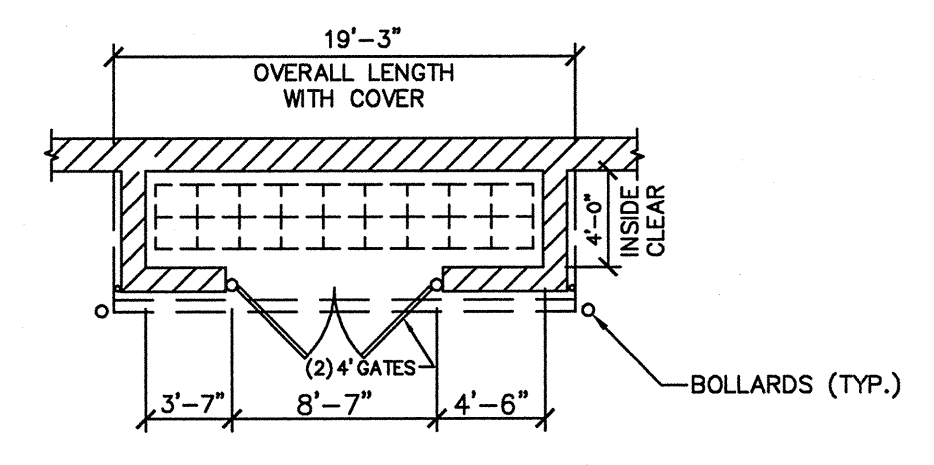


**INDUSTRIAL HINGE DETAIL**  
NOT TO SCALE

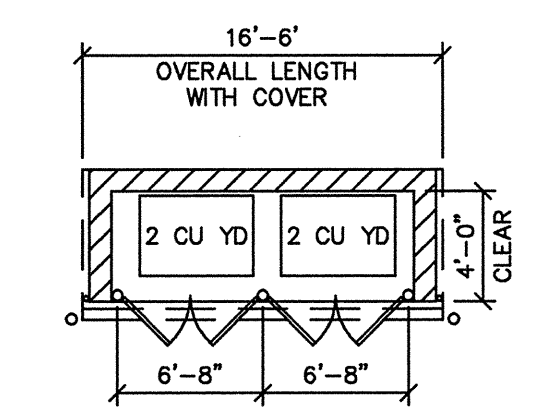


**FENCE DETAIL**  
NOT TO SCALE

NOTE: BOTTOM OF PICKETS INCLUDING GATES, TO BE 6" ABOVE CONCRETE PAD.



**PLAN AT TOTE ENCLOSURE**  
NOT TO SCALE

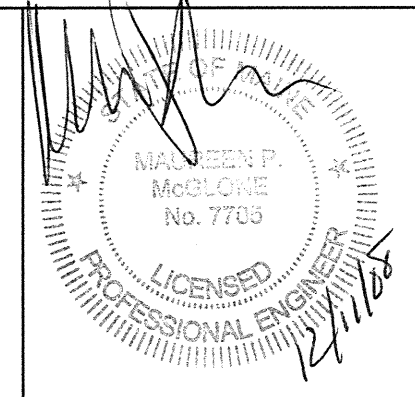


NOTE: "BIN WITH CASTERS" IS MANUALLY REMOVED FROM ENCLOSURE AND ROLLED INTO POSITION FOR TRUCK ACCESS. A LEVEL CONCRETE SURFACE AND APPROPRIATE CLEARANCES ARE TO BE PROVIDED TO PERMIT MANUAL MANEUVERABILITY.  
 NOTE: A MANUALLY REMOVED BIN IS ONLY USED IN CERTAIN URBAN AREAS. CONTACT A.C.E.S. CO. INC. TO DETERMINE APPLICABILITY AND WALGREENS PROJECT ARCHITECT FOR APPROVAL.

**PLAN AT TRASH ENCLOSURE**  
NOT TO SCALE

NO.	DATE	BY	DESCRIPTION	CONST
A	12/11/08	MPM	ISSUED FOR CONSTRUCTION	
2	04/16/08	MPM	RESPONSE TO CITY COMMENTS	
1	03/21/08	MPM	RESPONSE TO COMMENTS	

**REVISIONS**  
CERTIFICATION AND SEAL  
 I HEREBY CERTIFY THAT THIS PLAN AND SPECIFICATION WAS PREPARED BY ME OR UNDER MY DIRECT SUPERVISION AND THAT I AM A DULY REGISTERED ARCHITECT OR ENGINEER UNDER THE LAWS OF THE STATE OF MAINE AS SIGNIFIED BY MY HAND AND SEAL.



STORE NUMBER 12325  
 PROJECT NAME  
**WALGREENS – STORE #12325**  
 (SWC) FOREST & REVERE  
 PORTLAND, MAINE  
 DRAWING TITLE  
**TRASH ENCLOSURE DETAILS**  
 CADD PLOT: SCALE: DRAWING NO. \_\_\_\_\_  
 VOID PLOT: DRAWN BY: JBC  
 DATE: 12/07  
 SUPERSEDES PLAN DATED: MPM  
 REVIEWED BY: MPM  
**C4.5**  
 OF DWGS.