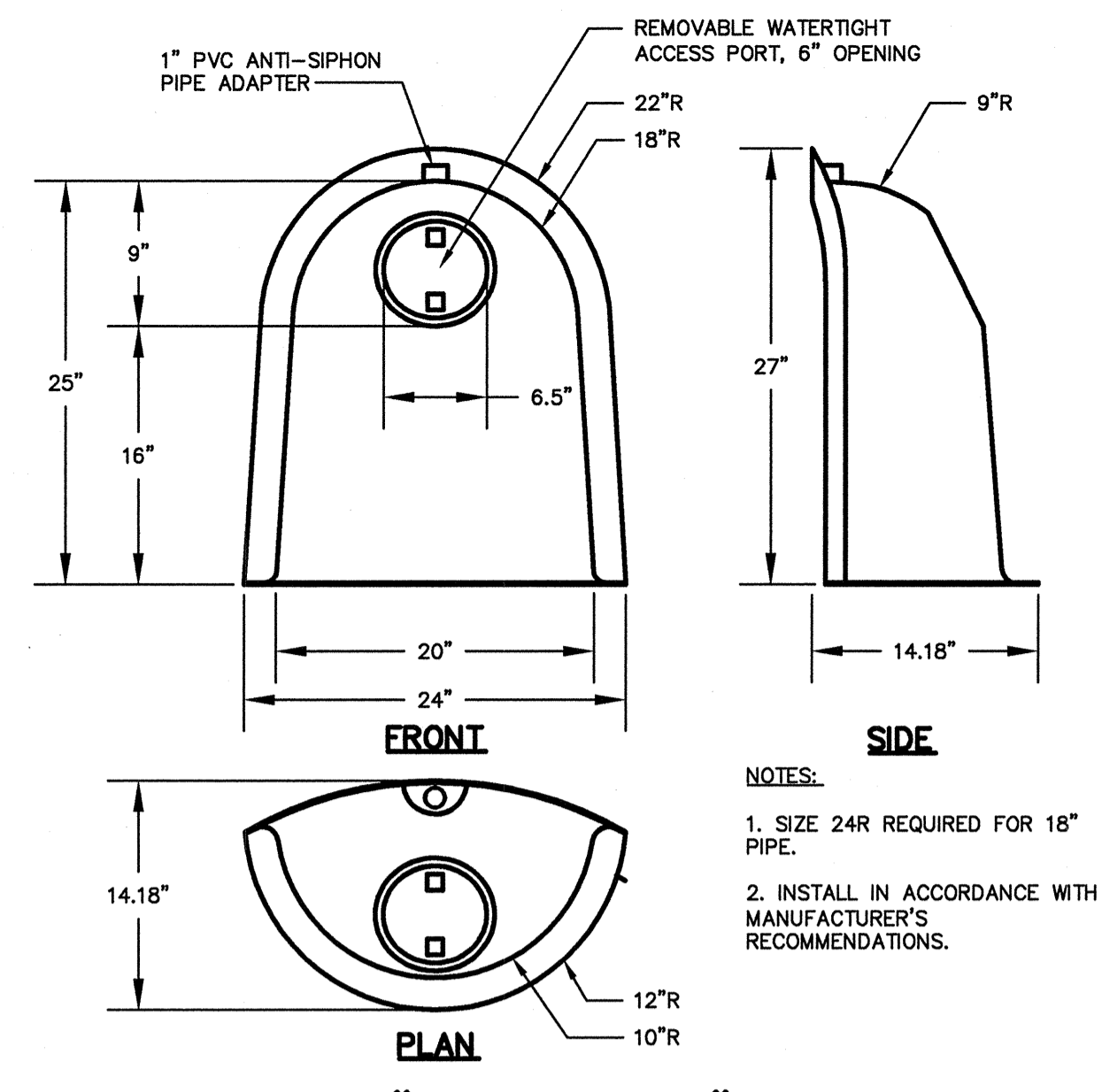
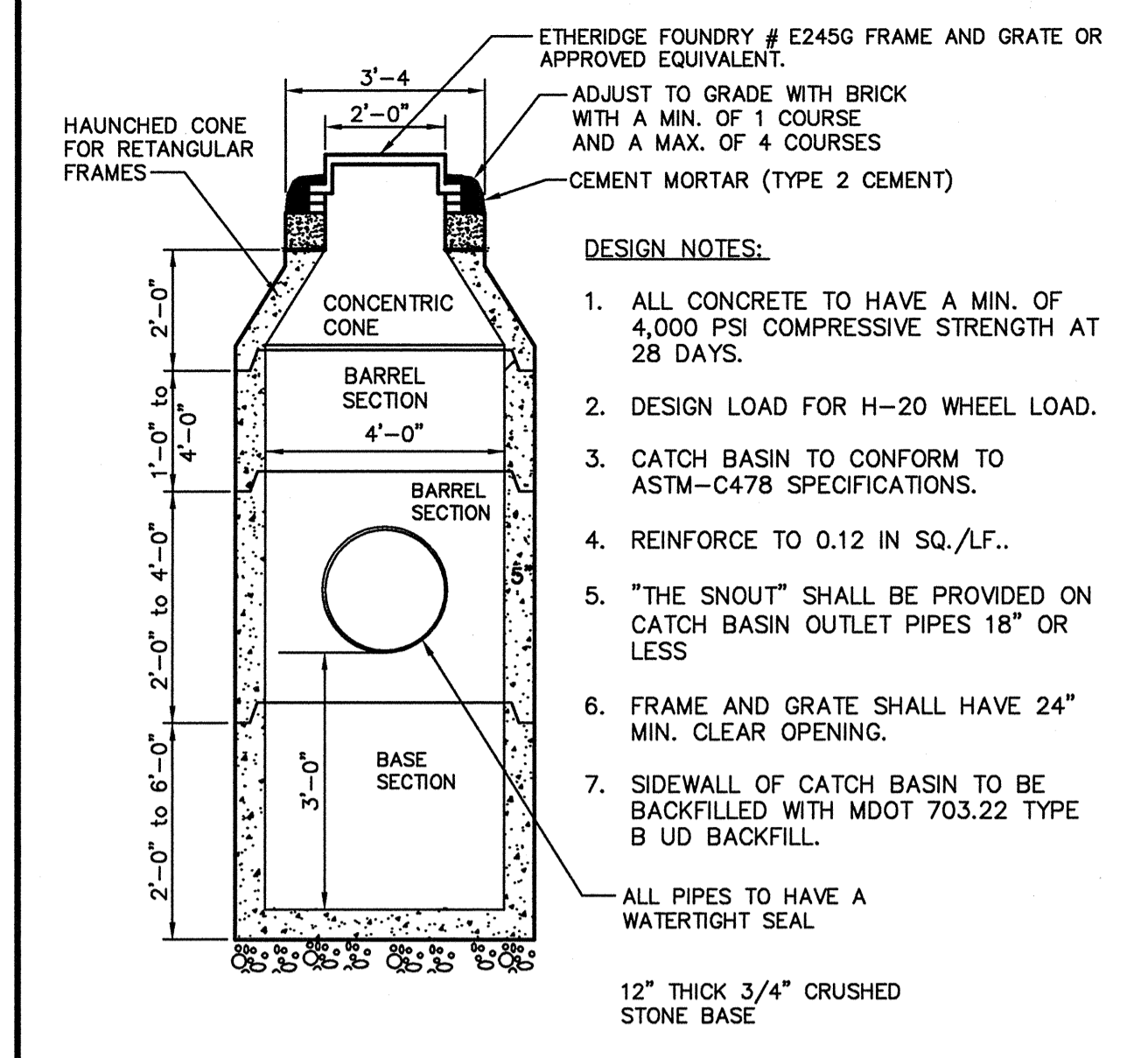


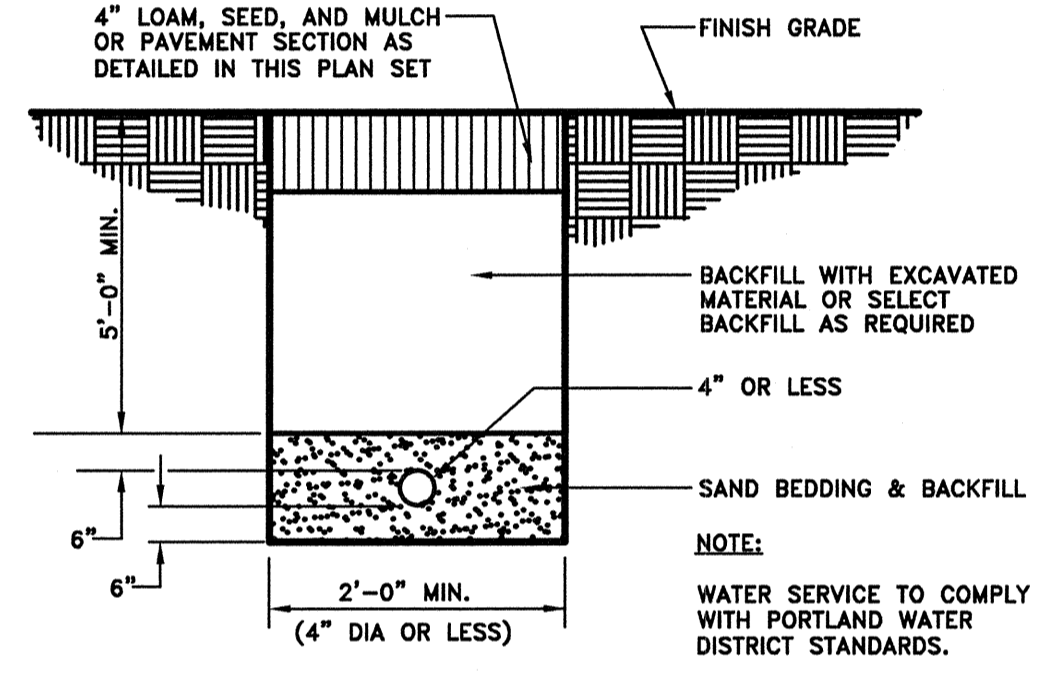
SECONDARY ELECTRICAL TRENCH
NOT TO SCALE



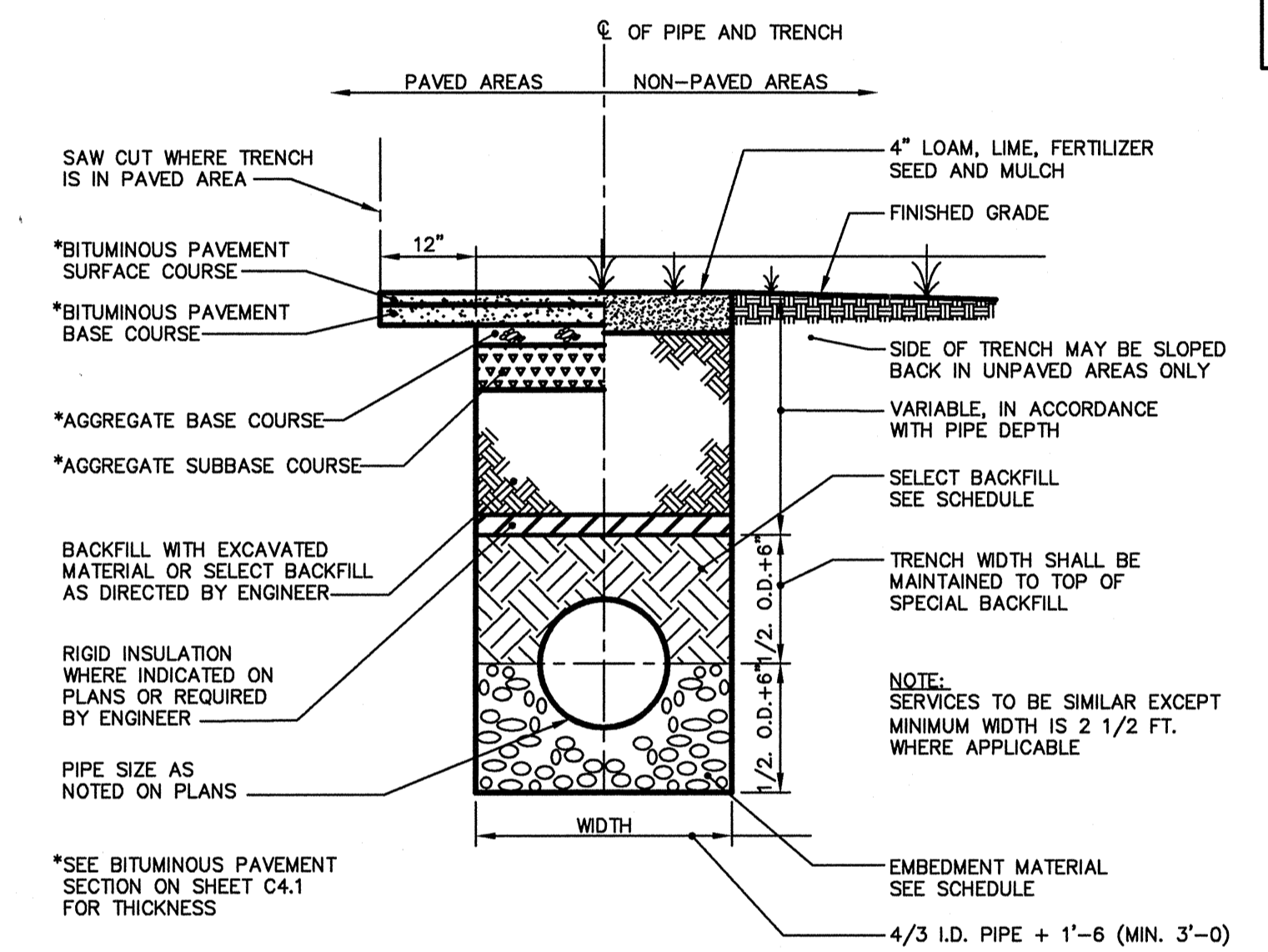
"THE SNOOT"
NOT TO SCALE



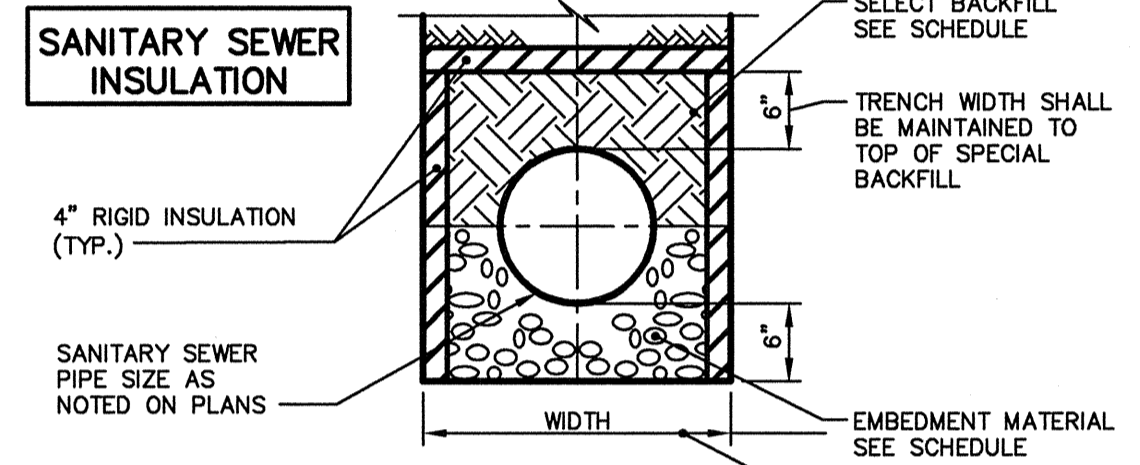
4'-0" PRECAST CATCH BASIN
NOT TO SCALE



WATER SERVICE TRENCH SECTION
NOT TO SCALE



TRENCH SECTION
NOT TO SCALE

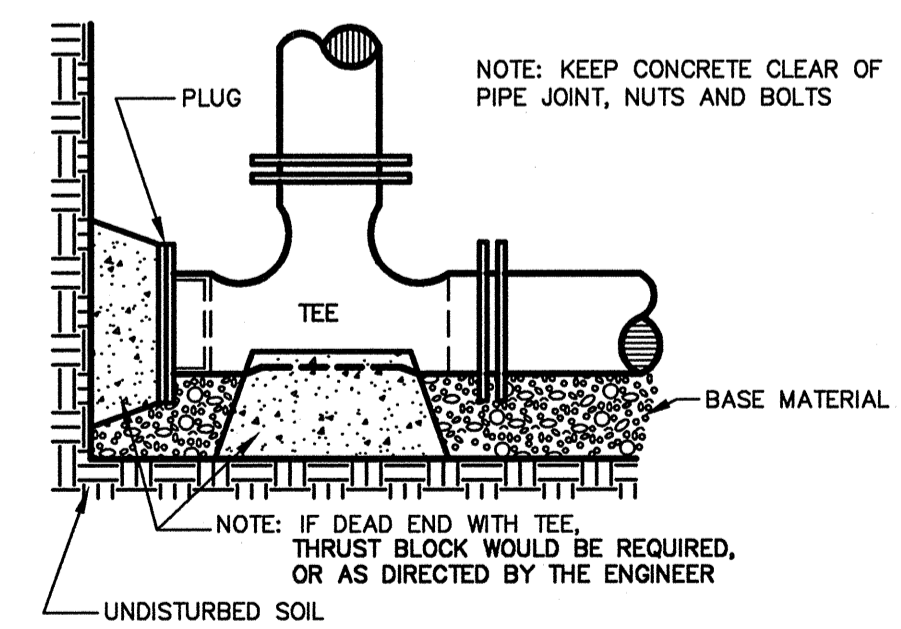


SCHEDULE OF TRENCH BACKFILL		
TYPE OF PIPE	EMBEDMENT MATERIAL	SELECT BACKFILL
CMP DUCTILE IRON RCP	MDOT 703.22 TYPE B UD BACKFILL	MDOT 703.22 TYPE B UD BACKFILL
PVC-SDR 35 HDPE	MDOT 703.22 TYPE C 3/4" CRUSHED STONE	MDOT 703.22 TYPE B UD BACKFILL

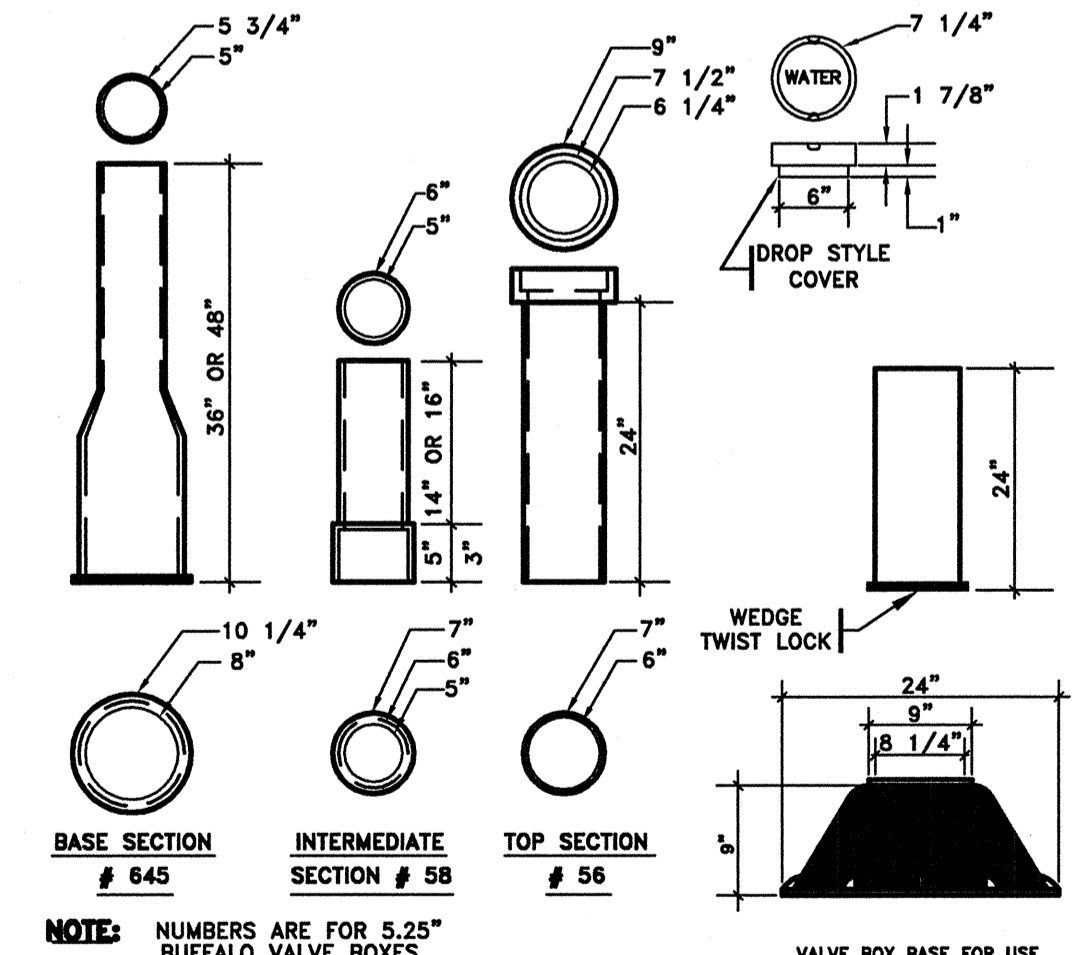
NOTE:

1. BRACING AND SHEETING OR OTHER TRENCH PROTECTION TO BE PROVIDED TO MEET APPLICABLE STATE AND O.S.H.A. SAFETY STANDARDS. ALL SUCH TRENCH PROTECTION TO BE THE RESPONSIBILITY OF THE CONTRACTOR

MINIMUM COVER	PIPE	(1) COVER BETWEEN 2' AND 3' SHALL INCLUDE 4" RIGID INSULATION. COVER BETWEEN 3' AND 4' SHALL INCLUDE 2" RIGID INSULATION.
2'-0"	DRAIN (1)	
5'-5"	WATER	
5'-0"	SEWER	



STANDARD TEE BLOCKING
NOT TO SCALE



VALVE BOXES
NOT TO SCALE

NOTE:

VALVE BOXES TO COMPLY WITH PORTLAND WATER DISTRICT STANDARDS.



CONSULTANT PROJECT NO. 1348

PROJECT TYPE

DRAWINGS/SPECIFICATIONS BY:

WALGREENS

LANDLORD'S CONSULTANT

ALL CONSTRUCTION WORK, UNLESS NOTED OTHERWISE, BY:

WALGREENS' CONTRACTOR

LANDLORD'S CONTRACTOR (TURNKEY CONSTRUCTION)

STORE	BUILDING
NEW <input checked="" type="checkbox"/>	NEW <input type="checkbox"/>
REMODELING <input type="checkbox"/>	EXISTING <input checked="" type="checkbox"/>
RELOCATION <input type="checkbox"/>	NEW SHELL ONLY <input type="checkbox"/>
OTHERS <input type="checkbox"/>	

NO.	DATE	BY	DESCRIPTION	CONST
A	12/11/08	MPM	ISSUED FOR CONSTRUCTION	
2	04/16/08	MPM	RESPONSE TO CITY COMMENTS	
1	03/21/08	MPM	RESPONSE TO COMMENTS	

REVISIONS				
CERTIFICATION AND SEAL				
I HEREBY CERTIFY THAT THIS PLAN AND SPECIFICATION WAS PREPARED BY ME OR UNDER MY DIRECT SUPERVISION AND THAT I AM A DULY REGISTERED ARCHITECT OR ENGINEER UNDER THE LAWS OF THE STATE OF MAINE AS SIGNIFIED BY MY HAND AND SEAL.				
PROJECT NAME				
WALGREENS - STORE #12325				
(SWC) FOREST & REVERE PORTLAND, MAINE				
DRAWING TITLE				
UTILITY DETAILS				
CADD PLOT:	SCALE:	DRAWN BY: JBC		DRAWING NO. _
VOID PLOT:		DATE: 12/07		C4.3
SUPERSEDES PLAN DATED:	REVIEWED BY: MPM	OF _ DWGS.		



GP Gorrill-Palmer Consulting Engineers, Inc.

PO Box 1237 Transportation and Civil Engineering Services 207-657-6910
 15 Shaker Road Gray, ME 04039 FAX: 207-657-6912
 E-Mail: mailbox@gorrillpalmer.com