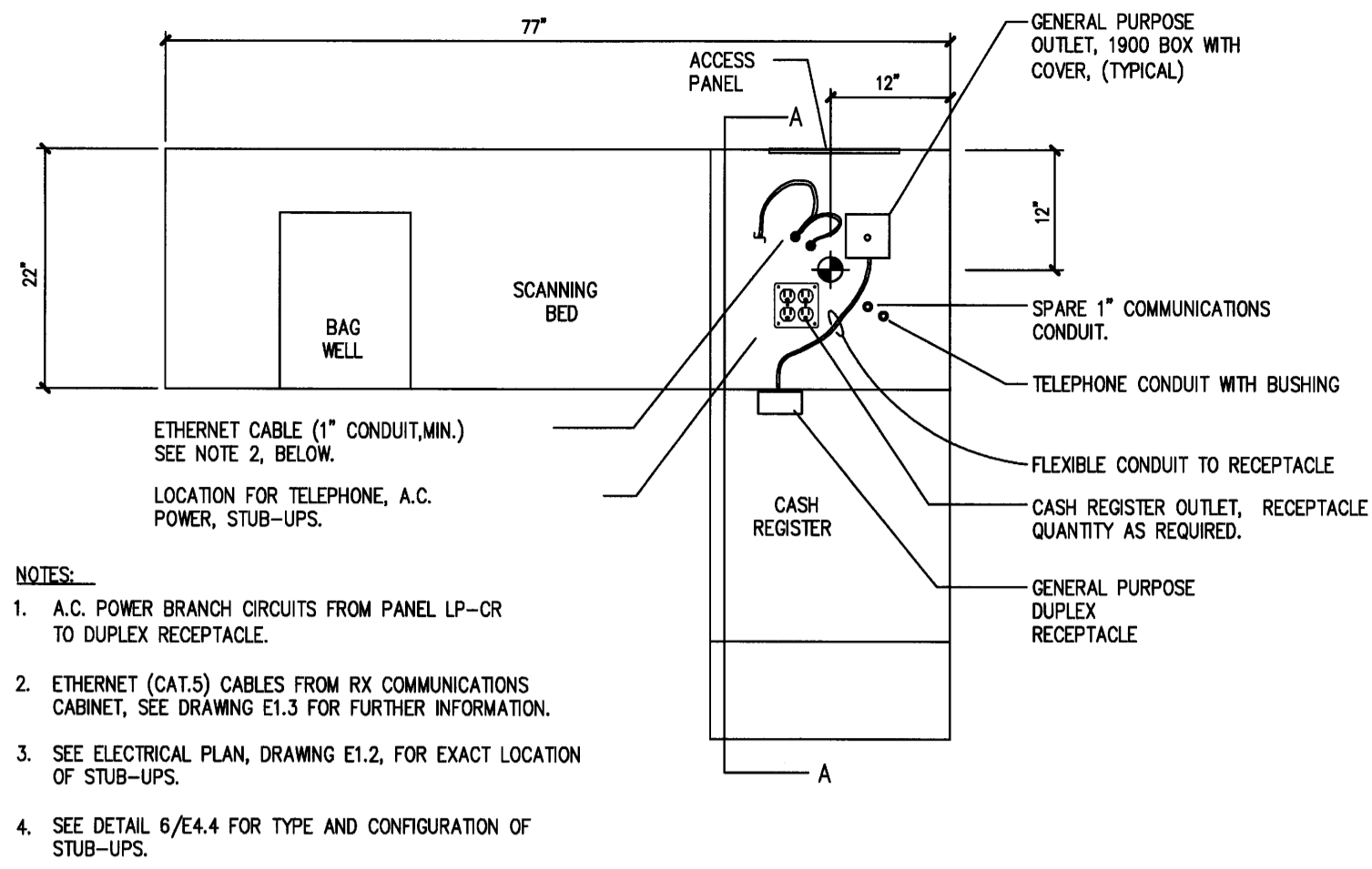


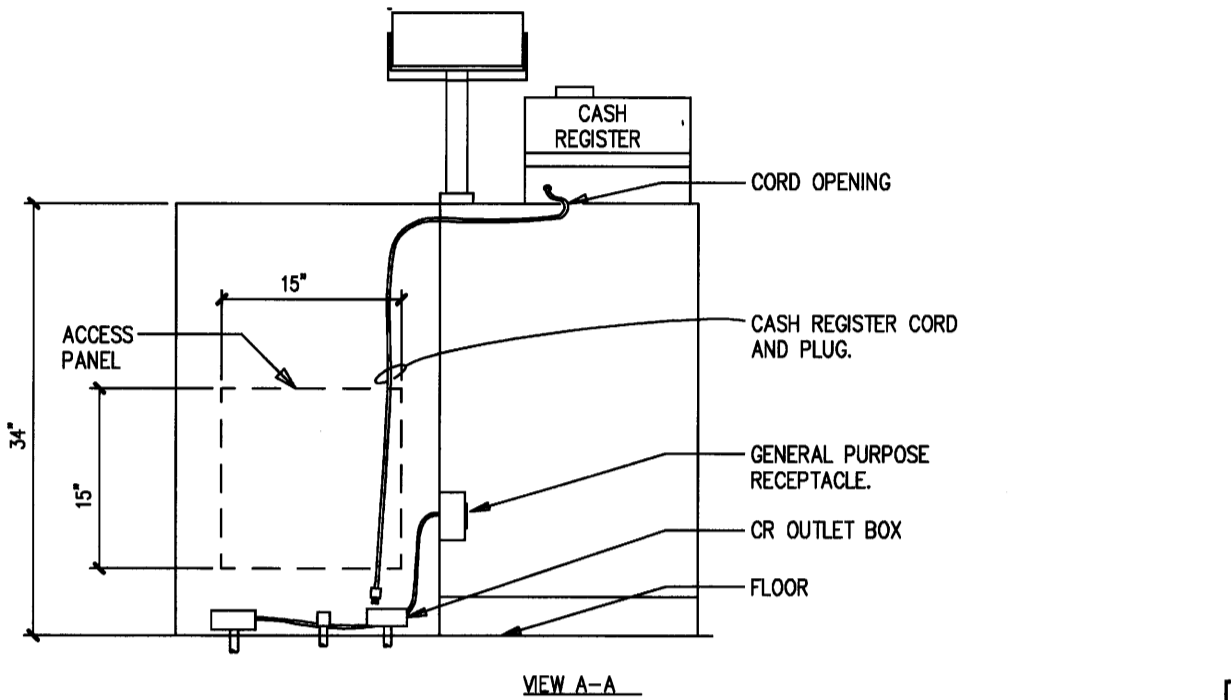
DRAWINGS/SPECIFICATIONS BY:  
 WALGREENS'  
 LANDLORD'S CONSULTANT  
 ALL CONSTRUCTION WORK, UNLESS NOTED OTHERWISE, BY:  
 WALGREENS' CONTRACTOR  
 LANDLORD'S CONTRACTOR (TURNKEY CONSTRUCTION)

STORE	BUILDING
NEW <input checked="" type="checkbox"/>	NEW <input checked="" type="checkbox"/>
REMODELING <input type="checkbox"/>	EXISTING <input type="checkbox"/>
RELOCATION <input type="checkbox"/>	NEW SHELL ONLY <input type="checkbox"/>
OTHERS <input type="checkbox"/>	

**SCANNING CASH REGISTER STAND**

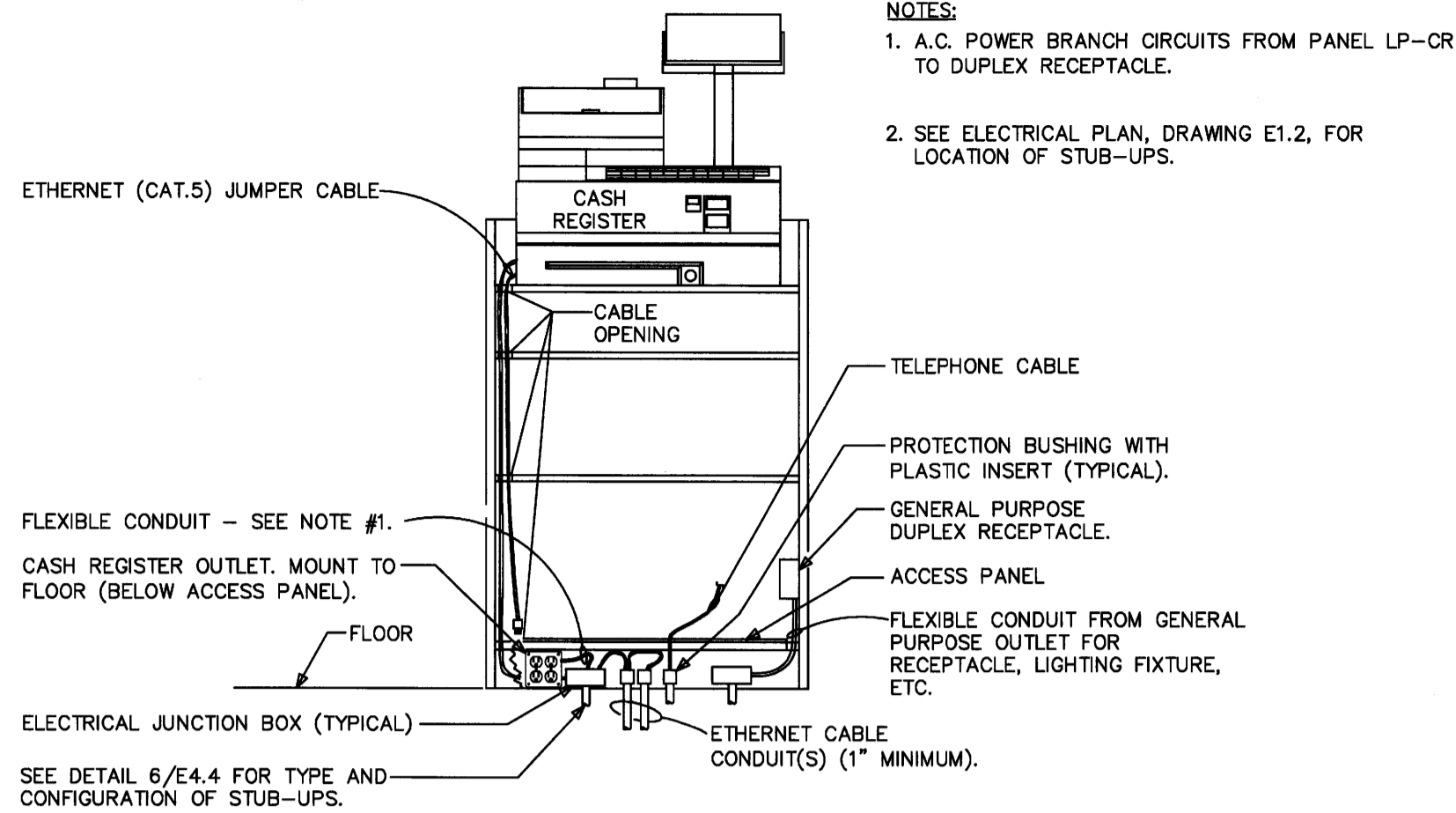


- NOTES:**
- A.C. POWER BRANCH CIRCUITS FROM PANEL LP-CR TO DUPLEX RECEPTACLE.
  - ETHERNET (CAT.5) CABLES FROM RX COMMUNICATIONS CABINET, SEE DRAWING E1.3 FOR FURTHER INFORMATION.
  - SEE ELECTRICAL PLAN, DRAWING E1.2, FOR EXACT LOCATION OF STUB-UPS.
  - SEE DETAIL 6/E4.4 FOR TYPE AND CONFIGURATION OF STUB-UPS.



1  
E4.4

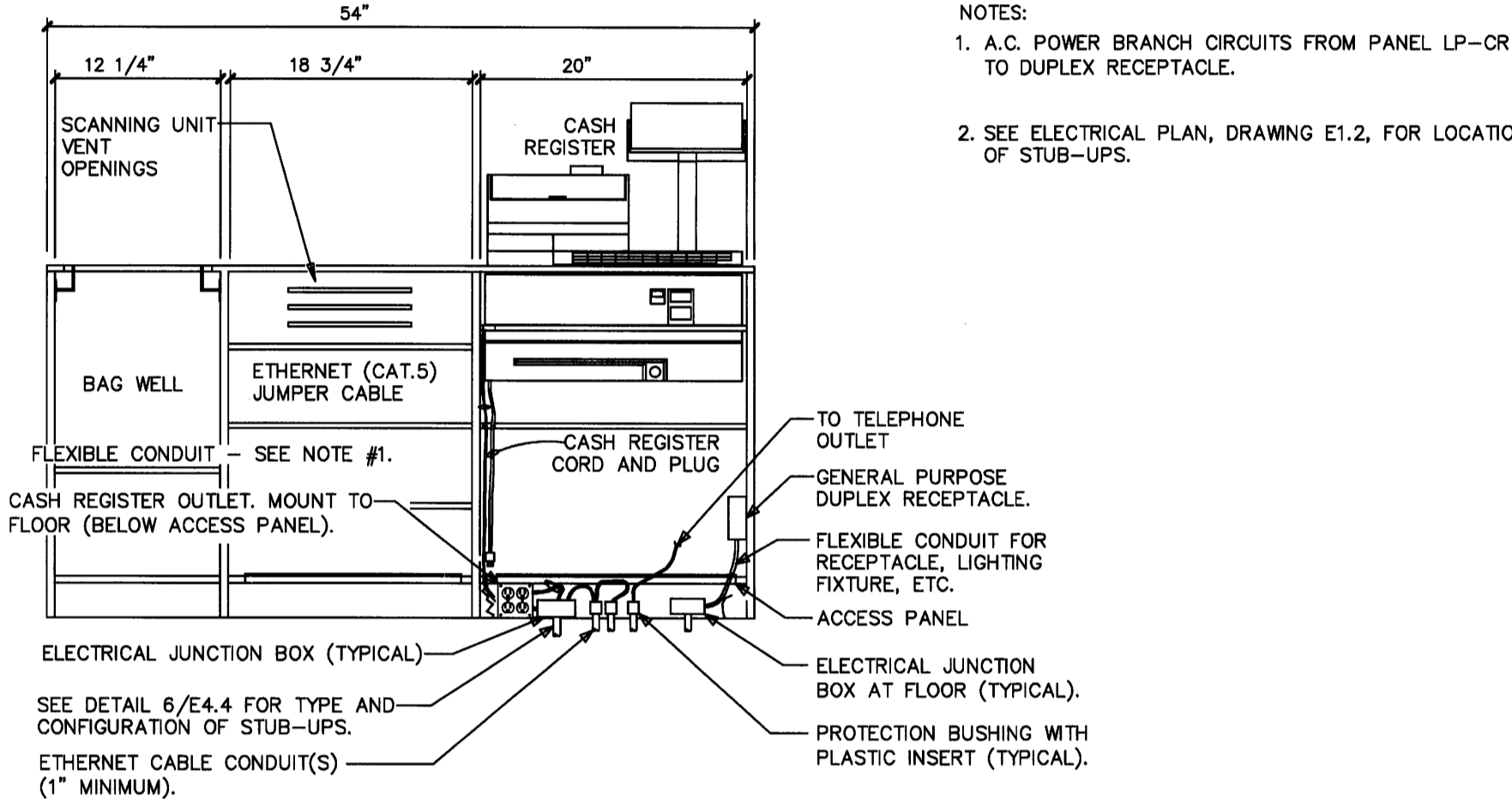
**STANDARD CASH REGISTER STAND ELEVATION**



- NOTES:**
- A.C. POWER BRANCH CIRCUITS FROM PANEL LP-CR TO DUPLEX RECEPTACLE.
  - SEE ELECTRICAL PLAN, DRAWING E1.2, FOR LOCATION OF STUB-UPS.

4  
E4.4

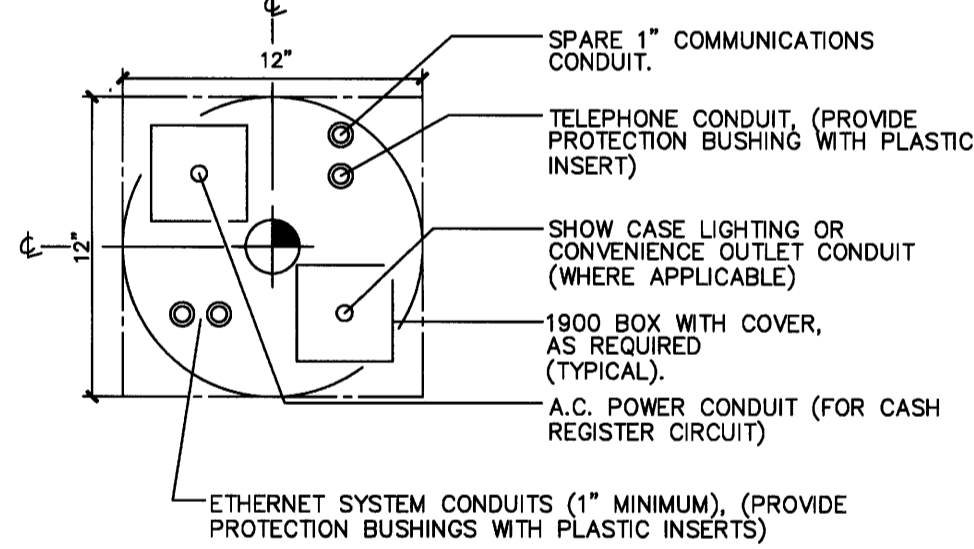
**IN-LINE SCANNING CASH REGISTER STAND ELEVATION**



- NOTES:**
- A.C. POWER BRANCH CIRCUITS FROM PANEL LP-CR TO DUPLEX RECEPTACLE.
  - SEE ELECTRICAL PLAN, DRAWING E1.2, FOR LOCATION OF STUB-UPS.

5  
E4.4

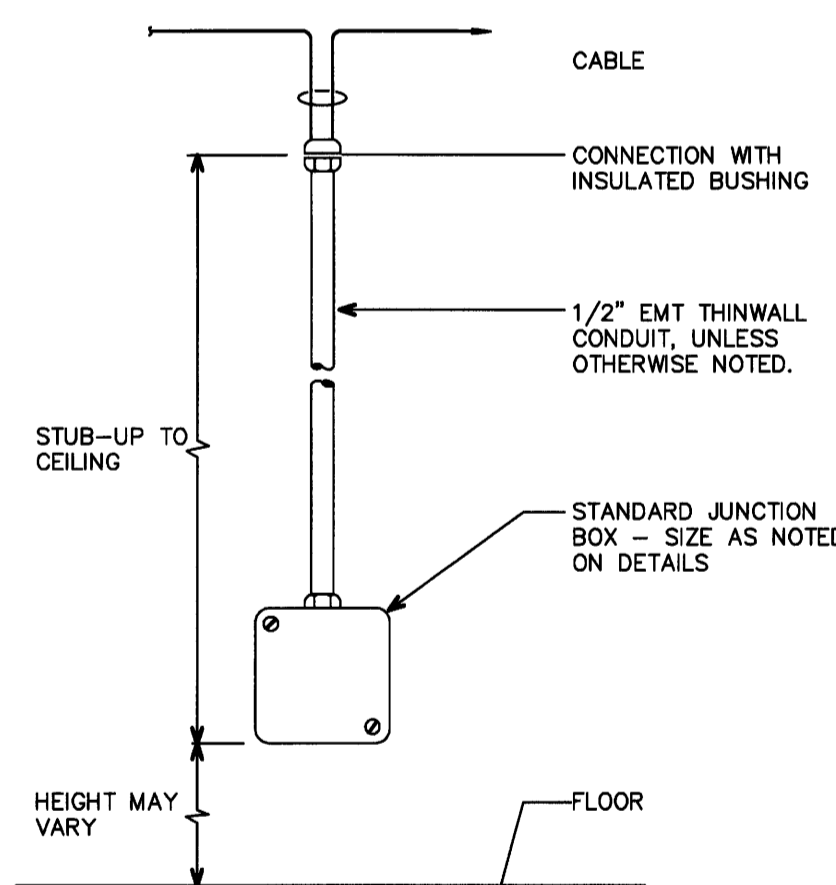
**CONDUIT STUB-UP CONFIGURATION FOR CASH REGISTER STAND**



- NOTES:**
- THIS IS A GENERIC DETAIL OF THE CONDUIT STUB-UP SYSTEM. VERIFY TYPE OF CASH REGISTER STAND. SEE DETAILS 1/E4.4, 4/E4.4 &/OR 5/E4.4 FOR LOCATION OF STUB-UP IN RELATION TO THE TYPE OF CASH REGISTER STAND INVOLVED.
  - FOR EXACT LOCATION OF ELECTRICAL OUTLETS ASSOCIATED WITH CASE WORK (CASH REGISTER LOCATIONS), SEE ELECTRICAL PLAN E1.2.

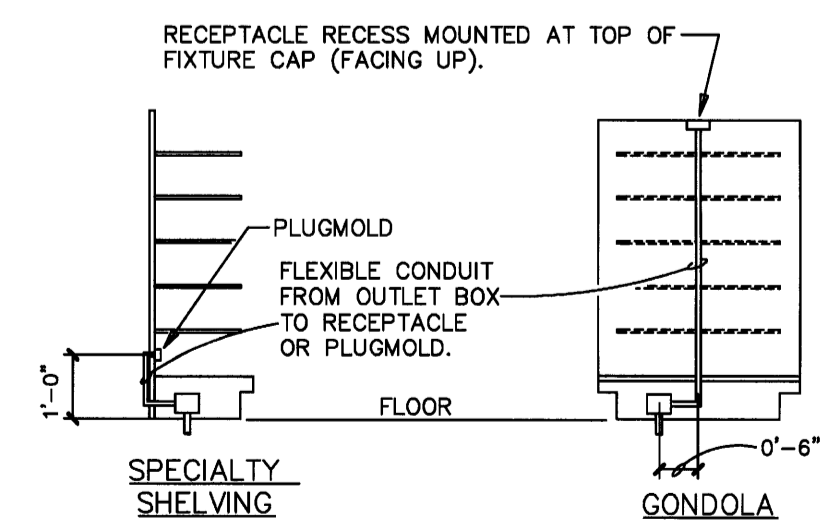
6  
E4.4

**EQUIPMENT CONNECTION STUB-UP ELEVATION**



7  
E4.4

**GONDOLA AND SPECIALTY SHELVING PLUGMOLD AND RECEPTACLE DETAIL**



- NOTES:**
- ALL PLUGMOLDS TO BE WIREMOLD CO. CAT. # 20GB306 (3'-0" LONG) 20GB512 (5'-0" LONG) (OR PLUGTRAK EQUAL) PROVIDE SLOW FOR EACH 5'-0" LENGTH OR SEE ELECTRICAL PLAN E1.2. PLUGMOLDS FURNISHED AND INSTALLED BY CONTRACTOR.
  - FLOOR OUTLETS FURNISHED AND INSTALLED BY CONTRACTOR.
  - RECEPTACLES FURNISHED AND INSTALLED BY CONTRACTOR.

8  
E4.4

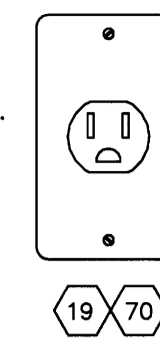
**2-LANE DRIVE-THRU DRIVE ALARM SENSOR SECTION**

**NOT USED**

16  
E4.4

**TIME/ATTENDANCE AND ATM RECEPTACLE**

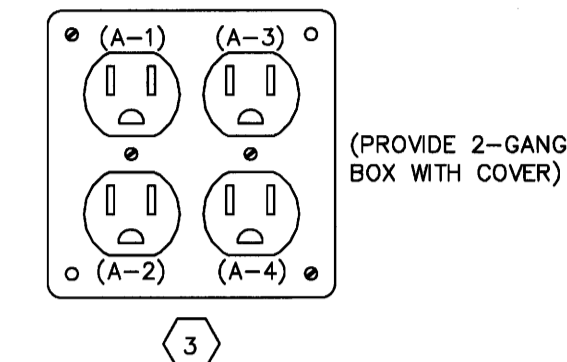
MANUFACTURER: HUBBELL (NO SUBSTITUTION)  
 CATALOG NUMBER: HBL5261  
 SERVICES: (KRONOS) ELECTRONIC TIME CLOCK - LOCATED OUTSIDE OF EMPLOYEE ROOM.  
 AUTOMATED TELLER MACHINE (ATM) - LOCATED BY FRONT CASH REGISTERS.  
 SERVICE FROM: LP-CR PANEL



9  
E4.4

**PHARMACY TERMINAL RECEPTACLES**

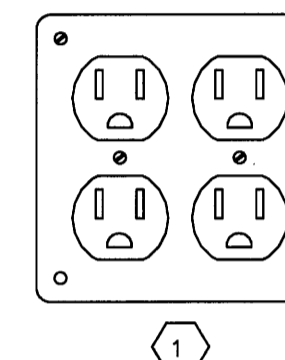
MANUFACTURER: HUBBELL PASS & SEYMOUR  
 CATALOG NUMBER: HBL5252 5262A  
 SERVICES: (A-1) PC BASE (A-2) MONITOR (A-3) FUTURE (A-4) FUTURE  
 SERVICE FROM: LP-CR PANEL



10  
E4.4

**CASH REGISTER RECEPTACLES**

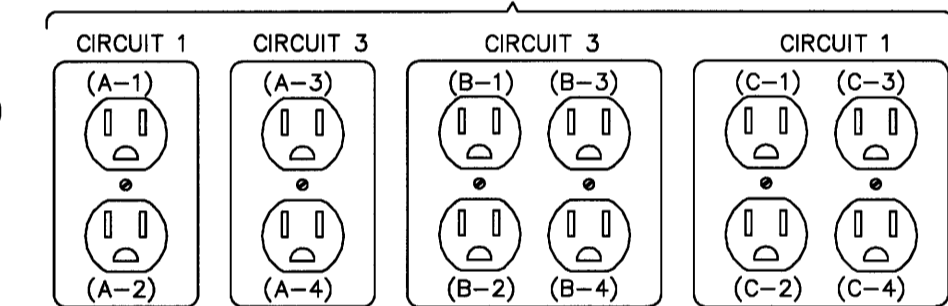
MANUFACTURER: HUBBELL (NO SUBSTITUTION)  
 CATALOG NUMBER: HBL5252  
 SERVICES: CASH REGISTER SCANNER  
 SERVICE FROM: LP-CR PANEL  
 NOTE: REFER TO DETAILS 6, 7, & 10/E4.3 FOR EXACT QUANTITY OF RECEPTACLES FOR SPECIFIC CASH REGISTER STAND.



11  
E4.4

**OFFICE SYSTEM EQUIPMENT RECEPTACLES**

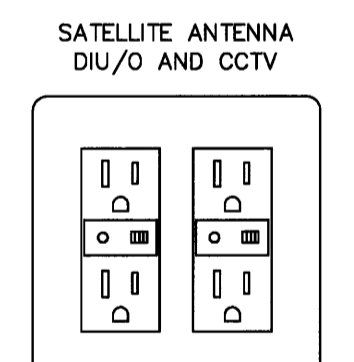
MANUFACTURER: HUBBELL PASS & SEYMOUR  
 CATALOG NUMBER: HBL5252 5262A  
 SERVICES: (A-1) MONITOR (A-2) MISCELLANEOUS (A-3) STORE CONTROLLER (A-4) MISCELLANEOUS (B-1) AS400 MONITOR (B-2) AXIS (NETWORK PRINT SERVER) (B-3) MISCELLANEOUS (B-4) MISCELLANEOUS (C-1) OFFICE PC (C-2) OFFICE MONITOR (C-3) MISCELLANEOUS (C-4) LED SIGN CONTROLLER  
 SERVICE FROM: LP-CR PANEL



12  
E4.4

**TVSS RECEPTACLES**

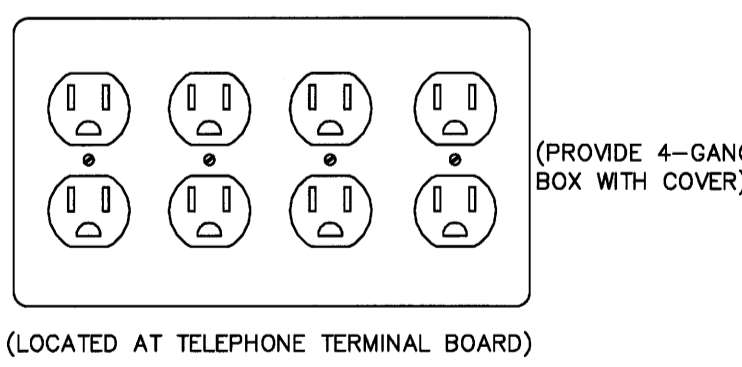
MANUFACTURER: PASS & SEYMOUR (NO SUBSTITUTIONS)  
 CATALOG NUMBER: 8200-SP (DUPLEX TVSS RECEPTACLE)  
 SERVICES: SATELLITE ANTENNA - DIU/O (DOUBLE DUPLEX RECEPTACLE)  
 CCTV EQUIPMENT (DOUBLE DUPLEX RECEPTACLE)  
 SERVICE FROM: LP-CR PANEL



13  
E4.4

**BURGLAR ALARM/TELEPHONE/SOUND SYSTEM RECEPTACLES**

MANUFACTURER: HUBBELL PASS & SEYMOUR  
 CATALOG NUMBER: HBL5252 5262A  
 SERVICES: TELEPHONE TERMINAL BOARD BURGLAR ALARM CONTROL PANEL SPARE SOUND SYSTEM  
 SERVICE FROM: LP-CR PANEL



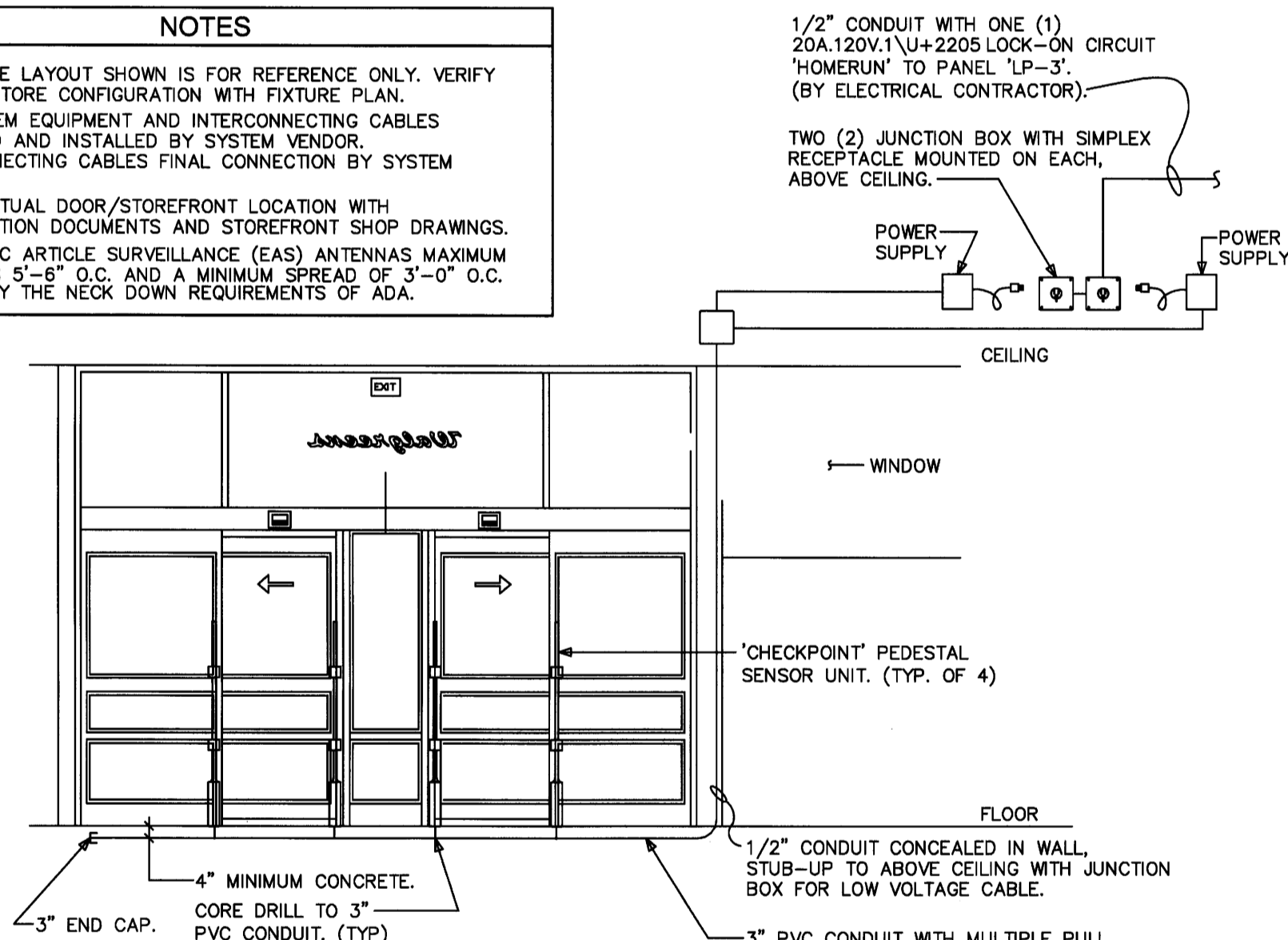
14  
E4.4

**NOTES**

1 - SYMBOL WITH NUMBER DESIGNATION CORRESPONDS TO POWER KEYED NOTES REFERENCED ON DRAWING E1.2.

**ELECTRONIC ARTICLE SURVEILLANCE (EAS) SYSTEM**

- NOTES**
- THE STORE LAYOUT SHOWN IS FOR REFERENCE ONLY. VERIFY ACTUAL STORE CONFIGURATION WITH FIXTURE PLAN.
  - EAS SYSTEM EQUIPMENT AND INTERCONNECTING CABLES FURNISHED AND INSTALLED BY SYSTEM VENDOR. INTERCONNECTING CABLES FINAL CONNECTION BY SYSTEM VENDOR.
  - VERIFY ACTUAL DOOR/STOREFRONT LOCATION WITH CONSTRUCTION DOCUMENTS AND STOREFRONT SHOP DRAWINGS.
  - ELECTRONIC ARTICLE SURVEILLANCE (EAS) ANTENNAS MAXIMUM SPREAD IS 5'-8" O.C. AND A MINIMUM SPREAD OF 3'-0" O.C. TO SATISFY THE NECK DOWN REQUIREMENTS OF ADA.



**SECTION A-A**  
SCALE: 1/4" = 1'-0"

1  
E4.4

**PLAN VIEW / ENTRANCE**  
SCALE: 1/4" = 1'-0"

2  
E4.4

NO.	DATE	BY	DESCRIPTION	CONST

**REVISIONS**

**CERTIFICATION AND SEAL**

I HEREBY CERTIFY THAT THIS PLAN AND SPECIFICATION WAS PREPARED BY ME OR UNDER MY DIRECT SUPERVISION AND THAT I AM A DULY REGISTERED ARCHITECT OR ENGINEER UNDER THE LAWS OF THE STATE OF MAINE AS SIGNIFIED BY MY HAND AND SEAL.

**FISCAL 2007 CRITERIA - STORE #12325**

WALGREENS  
616 FOREST AVENUE  
PORTLAND, MAINE

DRAWING TITLE  
**ELECTRICAL DETAILS**

CADD PLOT:	SCALE: AS NOTED	DRAWING NO.
VOID PLOT:	DRAWN BY: R/V	<b>E4.4</b>
RELEASED TO CONSTRUCTION	DATE: 12-10-08	
	REVIEWED BY: SAM	