

DRAWINGS/SPECIFICATIONS BY:
 WALGREENS'
 LANDLORD'S CONSULTANT
 ALL CONSTRUCTION WORK, UNLESS NOTED OTHERWISE, BY:
 WALGREENS' CONTRACTOR
 LANDLORD'S CONTRACTOR (TURNKEY CONSTRUCTION)

STORE	BUILDING
NEW <input checked="" type="checkbox"/>	NEW <input checked="" type="checkbox"/>
REMODELING <input type="checkbox"/>	EXISTING <input type="checkbox"/>
RELOCATION <input type="checkbox"/>	NEW SHELL ONLY <input type="checkbox"/>
OTHERS <input type="checkbox"/>	

LEGEND

	FLUORESCENT LIGHTING - SEE DRAWING E4.1 FOR LUMINAIRE SCHEDULE AND DETAILS.
	FLUORESCENT NIGHT/ EMERGENCY LIGHT
	FLUORESCENT FIXTURE WITH EMERGENCY BALLAST
	EXTERIOR LUMINAIRE (WALL MOUNTED)
	OUTLET (WATTAGE AND LOCATION AS NOTED)
	OUTLET, WALL MOUNTED (WATTAGE AND LOCATION AS NOTED)
	EXIT LIGHT: 'E' (CEILING MOUNTED WITH PENDANT)
	EXIT LIGHT: 'E' (WALL MOUNTED)
	EMERGENCY LIGHT: 'E-1' (WALL/COLUMN MOUNTED)
	EMERGENCY LIGHT: 'E-2' (CEILING GRID MOUNTED)
	EXTERIOR EMERGENCY LIGHT: 'E' (WALL MOUNTED)
	SWITCH
	SWITCH WITH PILOT LIGHT
	SWITCH, 3-WAY
	MOTION SENSOR SWITCH, ARROW INDICATES DIRECTION OF RECEIVER (IF APPLICABLE)

NOTES

- ALL WORK SHOWN SHALL COMPLY WITH ALL NATIONAL STATE AND LOCAL CODES, ORDINANCES, ETC.
- SEE LUMINAIRE SCHEDULE AND DETAILS, DRAWING E4.1, FOR FIXTURE INFORMATION.
- SEE DETAILS ON DRAWINGS E2.1A, E2.1B, AND E2.1C FOR LIGHTING PANEL "LP-1" AND SIGN PANEL "LP-SP" CONTROL SCHEDULE AND WIRING.
- SEE GENERAL NOTE 3, ON DRAWING E2.1 FOR EMERGENCY AND EXIT LUMINAIRE INFORMATION.
- LUMINAIRES INSTALLED IN CONTINUOUS ROWS SHALL BE GROUNDED WITH A CONDUCTOR ROUTED FROM LUMINAIRE TO LUMINAIRE, MOUNTED TO EACH WITH GROUNDING LUG OR SCREW. ALIGNING CLIPS ARE NOT ACCEPTABLE. LUMINAIRE GROUNDING SHALL BE INSTALLED IN COMPLIANCE WITH NATIONAL ELECTRICAL CODE, ARTICLE 410-21.
- DO NOT CONNECT EMERGENCY LIGHTS OR EXIT SIGNS WITH ANY OTHER LUMINAIRE. PROVIDE ENTIRELY SEPARATE RACEWAY SYSTEM ONLY WHERE REQUIRED, SUCH AS CHICAGO. CONNECT TO NORMAL ELECTRICAL SYSTEM WHERE ACCEPTABLE TO THE LOCAL CODE AUTHORITY.
- "H" LUMINAIRE LENGTHS SHOWN FOR REFERENCE ONLY. LIGHT FIXTURE LENGTHS DEPEND ON THE LOCATION OF F.E. (FINISHED END) SHOWN ON DRAWING D-1 (FIXTURE PLAN). PROVIDE 6" SPACE (MAXIMUM) FROM FINISHED ENDS TO LIGHT FIXTURES. DO NOT PROVIDE MORE THAN 6" OF UNLIGHTED AREA AT THE END OF SHELVING. CONTACT THE PROJECT ARCHITECT FOR A COPY OF DRAWING D-1.
- LIGHTING FOR WALK-IN COOLER/FREEZER UNIT TO BE WALL SWITCHED.
- STOCK AREA LIGHTING TO BE MOUNTED ABOVE AISLE, DO NOT MOUNT ABOVE SHELVING. (KEEP FIXTURE TIGHT TO JOIST)
- REFER TO ARCHITECTURAL EXTERIOR ELEVATIONS FOR EXACT SIGN POSITIONS.
- CEILING LIGHTS ARE TO BE WIRED TO THE BAR JOIST MEMBERS AT THE DIAGONAL CORNERS.
- CONDUIT SHALL BE ELECTRICAL METALLIC TUBING (EMT), RIGID STEEL (1/2" MIN.), OR MC CABLE WHERE ALLOWED BY CODE.
- PROVIDE EMERGENCY LIGHTING TO MEET THE REQUIRED FOOT CANDLE LEVEL PER LOCAL CODE.
- FOR EMERGENCY BELLING WIRING FED FROM CIRCUITS 2 AND 6, REFER TO DETAIL 4 DRAWING E2.1C.

LIGHTING KEYED NOTES

- LUMINAIRE "Q". HEIGHT AS NOTED.
- NOT USED.
- NIGHT LIGHTS (TO BE CIRCUITED AND SWITCHED SEPARATELY).
- OCCUPANCY SENSOR. PURCHASE THROUGH NATIONAL ACCOUNT (SEE NOTE III AND SCHEDULE ON DRAWING E4.1). (LAYOUT OF OCCUPANCY SENSORS SHOWN IS FOR LEVITON. CONTACT MY-TECH FOR THEIR RESPECTIVE LAYOUT.)
- NOT USED.
- NOT USED.
- OUTLET BOX IN WALL 6"-10"+/-, A.F.F. CONNECT TO CORNICE MOUNTED (UNLESS NOTED OTHERWISE) LUMINAIRE "H". (LENGTH AS NOTED). SEE NOTE 7 AND DETAILS 1 AND 2 E4.1. COORDINATE TO AVOID WALL SHELVING STANDARDS.
- RECESSED SLMUNE LUMINAIRE. SEE LUMINAIRE SCHEDULE DRAWING E4.1.
- NOT USED.
- NOT USED.
- NOT USED.
- LUMINAIRE "Q". SEE ARCHITECTURAL EXTERIOR ELEVATION DRAWING A2.1 AND A2.1A FOR MOUNTING.
- LUMINAIRE "Q". MOUNTED ABOVE WINDOW HEADER. COORDINATE WITH ARCHITECTURAL DRAWING A2.2 FOR FIXTURE LOCATION.
- ONE (1) 20A/120V CIRCUIT FROM PANEL "LP-1", FOR MORTAR AND PESTLE SIGN LIGHTING.
- ONE (1) 20A/120V CIRCUIT FROM PANEL "LP-SP", FOR EXTERIOR BOX SIGNS. SEE NOTE 10.
- ONE (1) 20A/120V CIRCUIT FROM PANEL "LP-SP", FOR LUMINAIRE "H"
- NOT USED.
- WALL MOUNTED EMERGENCY EGRESS LUMINAIRE "E-3" SEE SHEET E4-1 FOR DETAILS.
- LUMINAIRE "D" MOUNTED ABOVE WALK-IN COOLER/FREEZER UNIT FOR MAINTENANCE OF EQUIPMENT (SWITCH AS SHOWN).
- NOT USED.
- SURFACE MOUNTED POWER PACK "E-4" SEE LUMINAIRE SCHEDULE SHEET E4.1
- RECESS MOUNTED "G-1" LUMINAIRE(S).
- NOT USED.
- FACADE ACCENT FIXTURE, LUMINAIRE TYPE "W", MOUNT ON TOP OF AWNING. SEE LUMINAIRE SCHEDULE, DRAWING E4.1.
- RECESS MOUNTED "O" LUMINAIRE(S).
- PROVIDE 200W OUTLET WITH RECEPTACLE FLUSH MOUNTED IN WINDOW JAMB AT WINDOW HEAD 11'-10"+/- FOR ATM WINDOW SIGN. CONNECT TO LIGHTING CIRCUIT PANEL "LP-31".
- 200W OUTLET (6"-9" AFF) CONNECTED TO RECEPTACLE MOUNTED ON TOP OF SHELVING CANGRY FOR WINDOW SIGN (1HR PHOTO & HALLMARK) CONNECT TO LP1-31 SEE DETAIL 1 AND 2 / E4.1
- RECESSED DOWNLIGHT, LUMINAIRE TYPE "L", COMPACT FLUORESCENT. SEE LUMINAIRE SCHEDULE, DRAWING E4.1.
- PHARMACY LOCAL OVERRIDE LOW VOLTAGE MOMENTARY SWITCHES. REFER TO DRAWING E2.1B AND E2.1C FOR CONTROL WIRING DETAILS.

NO.	DATE	BY	DESCRIPTION	CONST

REVISIONS
CERTIFICATION AND SEAL

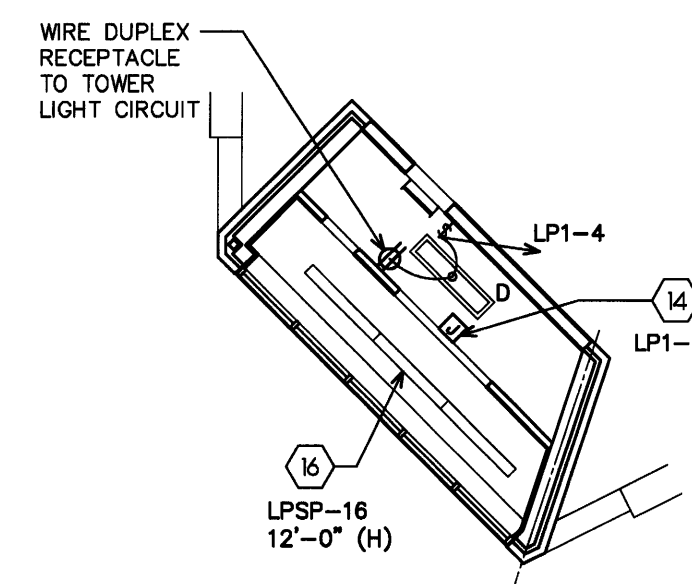
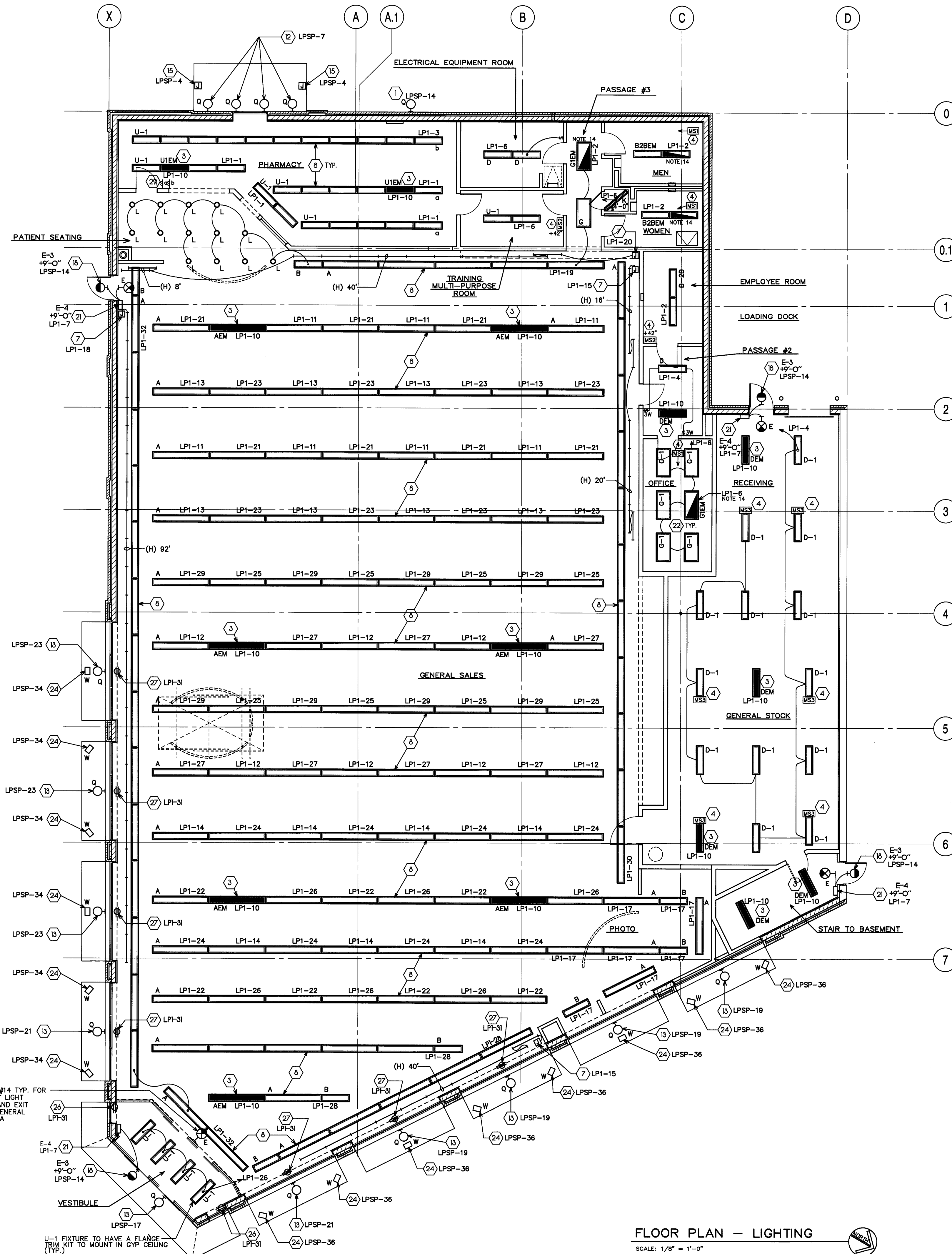
I HEREBY CERTIFY THAT THIS PLAN AND SPECIFICATION WAS PREPARED BY ME OR UNDER MY DIRECT SUPERVISION AND THAT I AM A DULY REGISTERED ARCHITECT OR ENGINEER UNDER THE LAWS OF THE STATE OF MAINE AS SIGNIFIED BY MY HAND AND SEAL.

FISCAL 2007 CRITERIA - STORE #12325

WALGREENS
616 FOREST AVENUE
PORTLAND, MAINE

DRAWING TITLE
FLOOR PLAN - LIGHTING

CADD PLOT:	SCALE: AS NOTED	DRAWING NO.
VOID PLOT:	DRAWN BY: RJV	E1.1
RELEASED TO CONSTRUCTION	DATE: 12-10-08	
	REVIEWED BY: SAM	



TOWER FLOOR PLAN - LIGHTING
SCALE: 1/8" = 1'-0"

FLOOR PLAN - LIGHTING
SCALE: 1/8" = 1'-0"