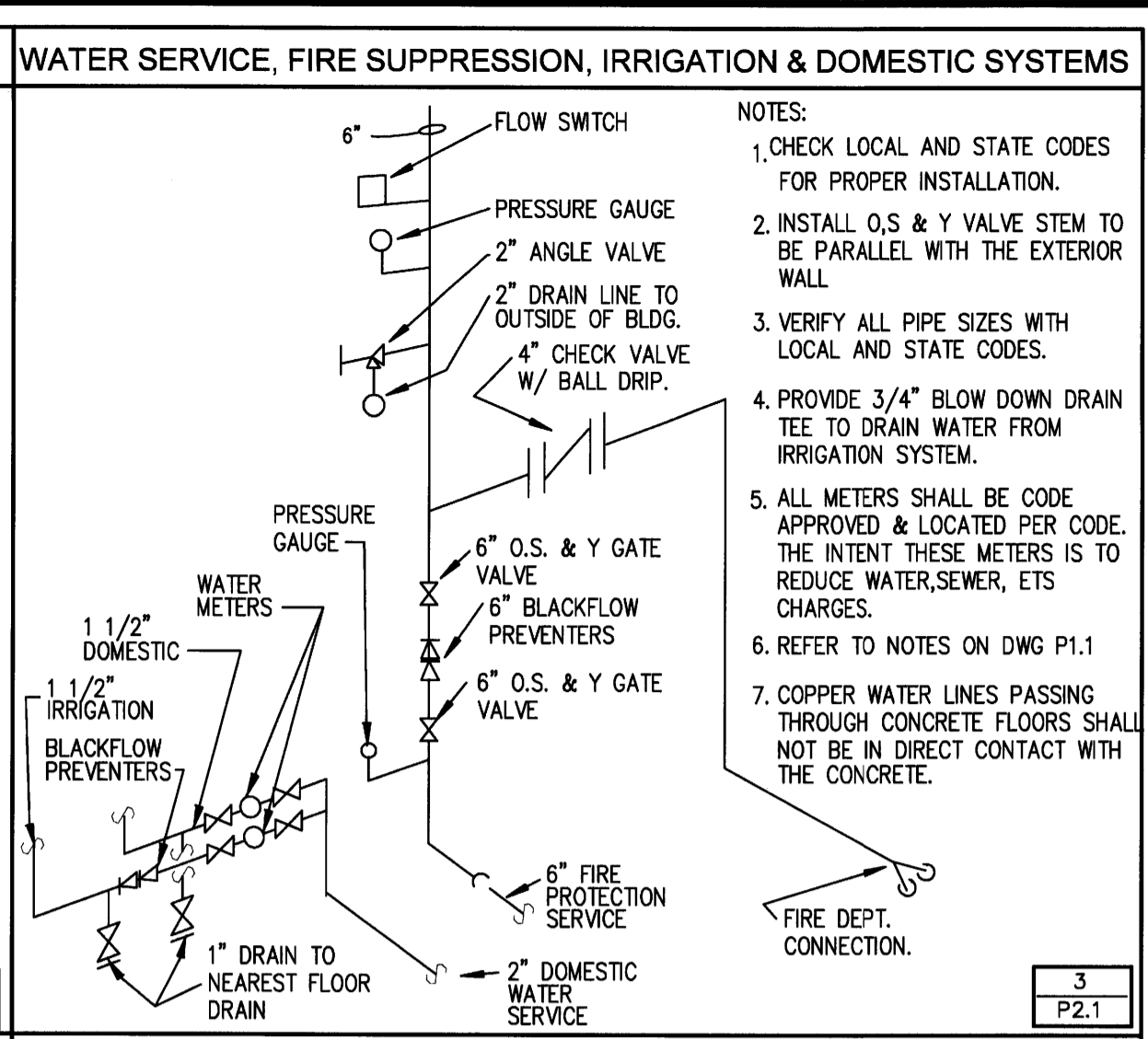
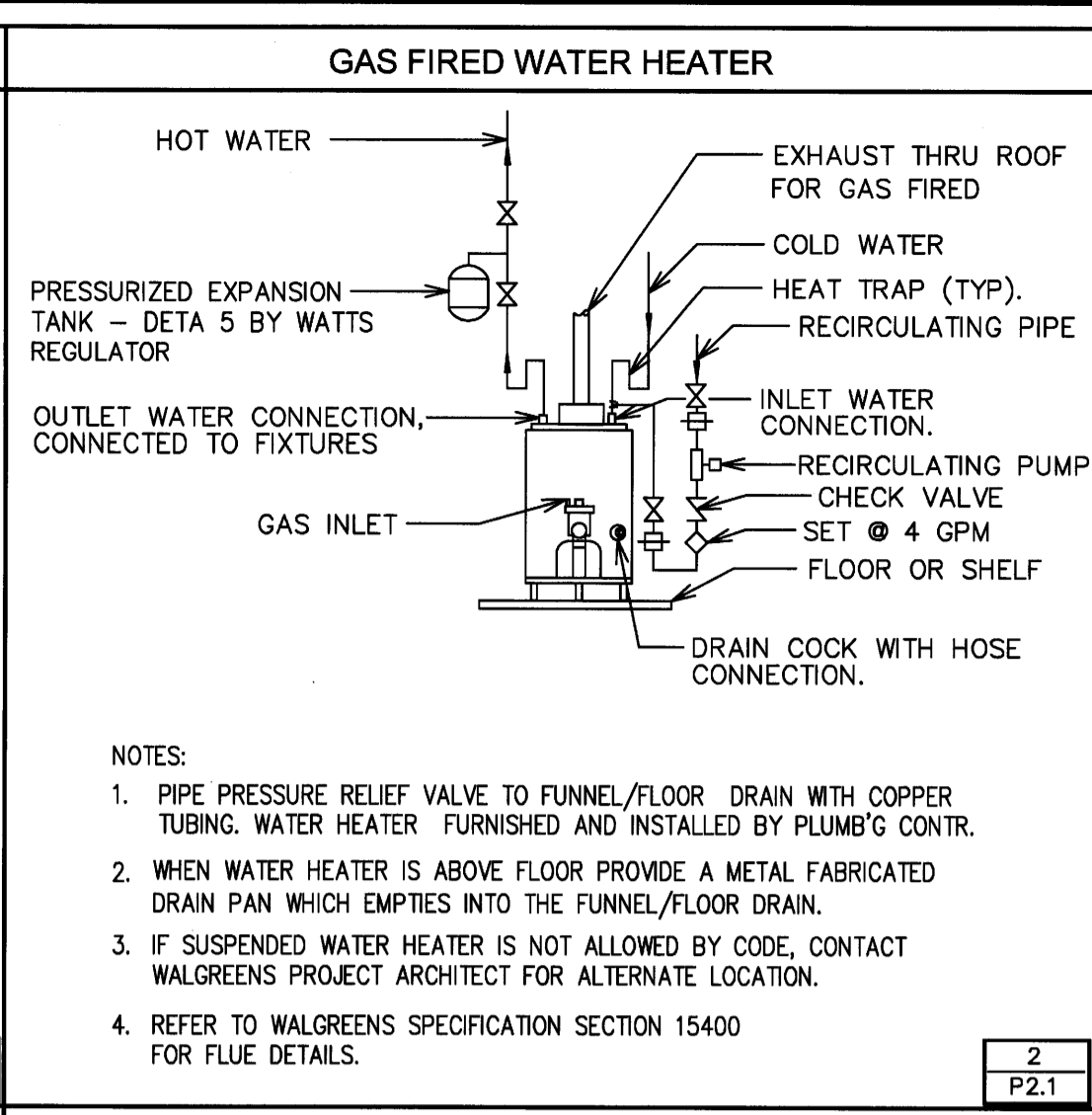
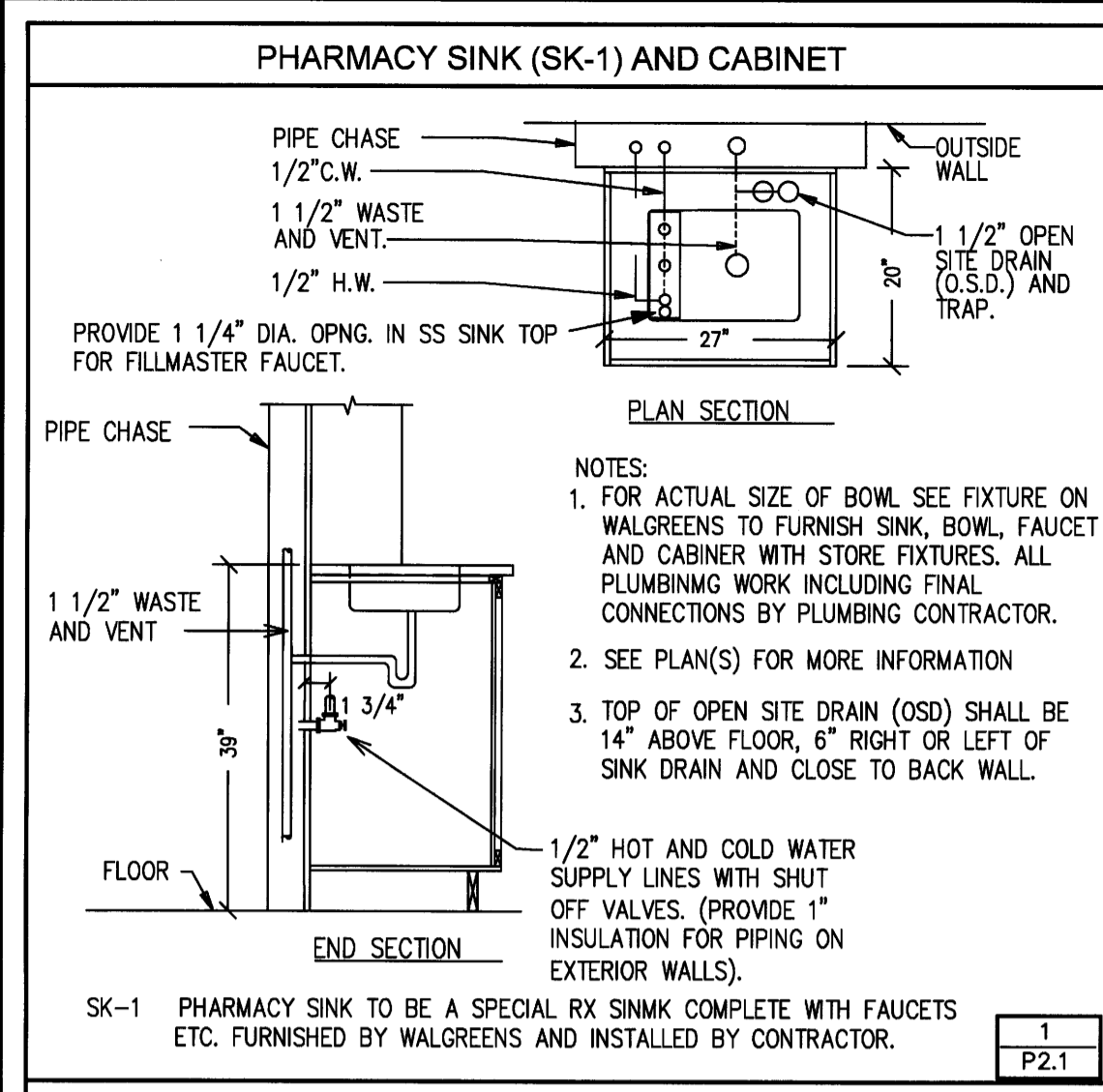


DRAWINGS/SPECIFICATIONS BY:  
 WALGREENS'  
 LANDLORD'S CONSULTANT  
 ALL CONSTRUCTION WORK, UNLESS NOTED OTHERWISE, BY:  
 WALGREENS' CONTRACTOR  
 LANDLORD'S CONTRACTOR (TURNKEY CONSTRUCTION)

STORE	BUILDING
NEW <input type="checkbox"/>	NEW <input checked="" type="checkbox"/>
REMODELING <input type="checkbox"/>	EXISTING <input type="checkbox"/>
RELOCATION <input type="checkbox"/>	NEW SHELL ONLY <input type="checkbox"/>
OTHERS <input type="checkbox"/>	



### PLUMBING FIXTURE SCHEDULE

THE FOLLOWING PLUMBING PROGRAM FIXTURES, ASSOCIATED ACCESSORIES REQUIRED FOR A COMPLETE INSTALLATION AND OTHER PLUMBING ITEMS BELOW SHALL BE PURCHASED THROUGH THE TRANE NATIONAL ACCOUNT PLUMBING PROGRAM. CONTACT THEM AT 800-453-6954 TO OBTAIN A QUOTATION, ORDER AND TO COORDINATE DELIVERY.

**ERS-1 EMPLOYEE ROOM SINK: (ADA COMPLIANT)**  
ELKAY NO. LRAD-1522-55-3 LUSTERONE SINGLE BOWL SINK W/LK35 STRAINER AND STOP AND CHICAGO FAUCET NO. 786-E-3 DECK MOUNT FAUCET WITH GOOSE NECK SPOUT AND WRIST BLADE HANDLES.

**EWC-1 ELECTRIC WATER COOLER: (SPLIT LEVEL)**  
ELKAY NO. EZSTLBC, HANDICAP ACCESSIBLE, SELF CONTAINED, WALL HUNG, TWO LEVEL ELECTRIC REFRIGERATED WATER COOLERS.  
ACCEPTABLE ALTERNATE MANUFACTURER: OASIS-PBAMSL; HALSEY TAYLOR-HACBFL-Q;  
HAMS-HWACBL; SUNROC-NWCA-8F-BL.

**LAV-1 LAVATORY:**  
AMERICAN STANDARD NO. 0355.012 "LUCERNE" 20"x18" VITREOUS CHINA WALL HUNG LAVATORY, WITH CHICAGO FAUCET, #802-665, 4" CENTERS AND 5 GPM AERATOR, 1 1/4" CHROME PLATED, BRASS (17 GAUGE) P-TRAP, WALL HUNGER, ETC.  
ACCEPTABLE ALTERNATE MANUFACTURERS:  
CRANE- 1-412-V HARWH; ELJER- SIGNATURE, 051-2108  
KOHLER-K-2005 KINGSTON;  
FAUCETS FOR ALL ABOVE LAVS.

**PH-1 POST HYDRANT:**  
ZURN NO. Z-1385-VB (3/4" HOSE CONNECTION) EXPOSED HEAD, NON FREEZE POST HYDRANT, KEY OPERATED, VACUUM BREAKER, 24" ABOVE ROOF LINE.  
ACCEPTABLE ALTERNATE MANUFACTURER:  
WADE 8610.

**SK-1 PHARMACY SINK:**  
THIS SHALL BE A SPECIAL RX CABINET SINK COMPLETE WITH FAUCET, ETC. FURNISHED BY WALGREENS, WITH STORE FIXTURES AND INSTALLED BY CONTRACTOR. (SEE DETAIL 1/P2.1).

**MB-1 MOP BASIN:**  
FLORESTONE NO. MSR-2424, 24x24, FURNISH AND INSTALL MOLDED MOP SERVICE RECEPTOR WITH INTEGRAL DRAIN SUCH AS MANUFACTURED BY FLORESTONE PRODUCT CO. MOLDING SHALL BE DONE UNDER HEAT AND PRESSURE USING MATCHED METAL DIES. THE UNIT TO BE ONE PIECE WITH NO SEAMS. SHOULDERS SHALL BE NOT LESS THAN 1" WIDE, AND 9 1/2" INSIDE. UNIT SHALL HAVE RIBBED UNDERBODY AND INTEGRAL DRAIN PROVIDED FOR NON-CAULKING CONNECTION (LEAD CAULKED OPTIONAL) TO A 3" PIPE. DRAIN SHALL BE 18 GAUGE STAINLESS, FLAT TYPE, #430. MODEL SHALL CONFORM TO ANSI-Z-124.2 AND Z-124-6. AMERICAN STANDARD MODEL NO. 8344.112 (ADA) AND VACUUM BREAKER AT 3'-0" A.F.F. OR PER CODE REQUIREMENT.  
ACCEPTABLE ALTERNATE MANUFACTURER:  
E.L. MUSTE - 63 M;  
SWAN-MS 2424-3;  
ADVANCE TABCO-9-OP-20;  
ZURN-Z-1996 24x24.  
FIAT - MSB 2424.

**UR-1 URINAL: (ADA COMPLIANT)**  
AMERICAN STANDARD NO. 6501.010 "WASHBROOK" VITREOUS CHINA, WALL HUNG URINAL, 1.0 GPF, COMPLETE WITH SLOAN "ROYAL" 186-1 FLUSH VALVE WITH VACUUM BREAKER AND SCREW DRIVER STOP, WALL HANGER, ETC.  
ACCEPTABLE ALTERNATE MANUFACTURERS:  
KOHLER-K-4960-ET BARDON;  
CRANE-7160 EMBASSY;  
ELJER-161-1090 SAVON.

**US-1 UTILITY SINK:**  
FLORESTONE MODEL "FM", 23" X 22" FIBERGLASS REINFORCED POLYESTER RESINS, FLOOR UTILITY SINK WITH RUST FREE LEGS, LEVELERS, BACK "SHELF" (APPROX. 4" WIDE X 23" LONG SHALL BE "PLAIN" (NO SOAP DISH ETC.)

**P-1 PUMP:**  
PUMP FOR H.W. RECIRCULATION SYSTEM - BELL & GOSSET MODEL NFB-8S/LW, 1/40 H.P., .38FLA., 115V, 1 PH RATED @4 GOM, @ 4' OF HEAD; BRONZE IN-LINE. TACO AS ALT. CONTROL OF PUMP SHALL BE BY CONNECTING IT TO ELECTRICAL CIRCUIT DESIGNATED "GENERAL SALES MAINTENANCE LIGHTS"

**EW-1 EYE WASH:**  
EYEWASH (FAUCET MOUNT), BRADLEY MODEL S19-270HD. EYEWASH SHALL BE SUPPLIED THRU A MIXING VALVE THAT WILL FAIL TO OPEN IN COLD WATER BYPASS PER ANSI Z358.1. POWER MODEL ES150RB, BRADLEY OR LAWLER EQUAL SET FLOW PER EYEWASH RECOMMENDATION (APPROX. 1 GPM) AT 90 DEG. F

**WC-1 WATER CLOSET: (ADA COMPLIANT)**  
AMERICAN STANDARD NO. 3043.102 TOP SPUD, MANDERA 17"H ELONGATED; 1.6 GPF SLOAN ROYAL # 111 FLUSH VALVE; SIPHON JET; FLOOR MOUNTED; VITREOUS CHINA WATER CLOSET; CHURCH # 295C OR EQ. BY BEMIS. SOLID PLASTIC OPEN FRONT SEAT LESS COVER WITH CHECK HINGES & CHINA BOLT CAPS. INSTALL 1" WATER SUPPLY PIPE @ 28 3/4" A.F.F.  
ACCEPTABLE ALTERNATE MANUFACTURERS:  
CRANE -3H701 HYMONT  
ELJER-111-2145 SIGNATURE 17"  
KOHLER-K-4302-HIGHCREST.

**WC-2 WATER CLOSET:**  
AMERICAN STANDARD NO. 2234.015 TOP SPUD; MADERA ELONGATED; 1.6 GPF SLOAN # 111 FLUSH VALVE; SIPHON JET, FLOOR MOUNTED; VITREOUS CHINA WATER CLOSET, CHURCH NO.295C OR EQ BY BEMIS. SOLID PLASTIC OPEN FRONT SEAT LESS COVER WITH CHECK HINGE AND CHINA BOLT CAPS.  
INSTALL WATER SUPPLY PIPE @ 25 5/8" A.F.F.  
ACCEPTABLE ALTERNATE MANUFACTURERS:  
CRANE-3325 WHIRLTON  
ELJER-111-2125 SIGNATURE.  
KOHLER-K-4350-WELL COMME.

**WH-1G GAS FIRED WATER HEATER:**  
40 GALLONS, 18" DIA X 60" HIGH, 40,000 BTUH INPUT, 41 GPH RECOVERY @ 90 DEG F. RISE, 3" FLUE UP THROUGH ROOF, 6" YEAR WARRANTY FOR PARTS AND TANK PER BRADFORD WHITE MODEL M-1-4075FB, STATE MODEL GS640YBRT OR A.O. SMITH MODEL GCV-40

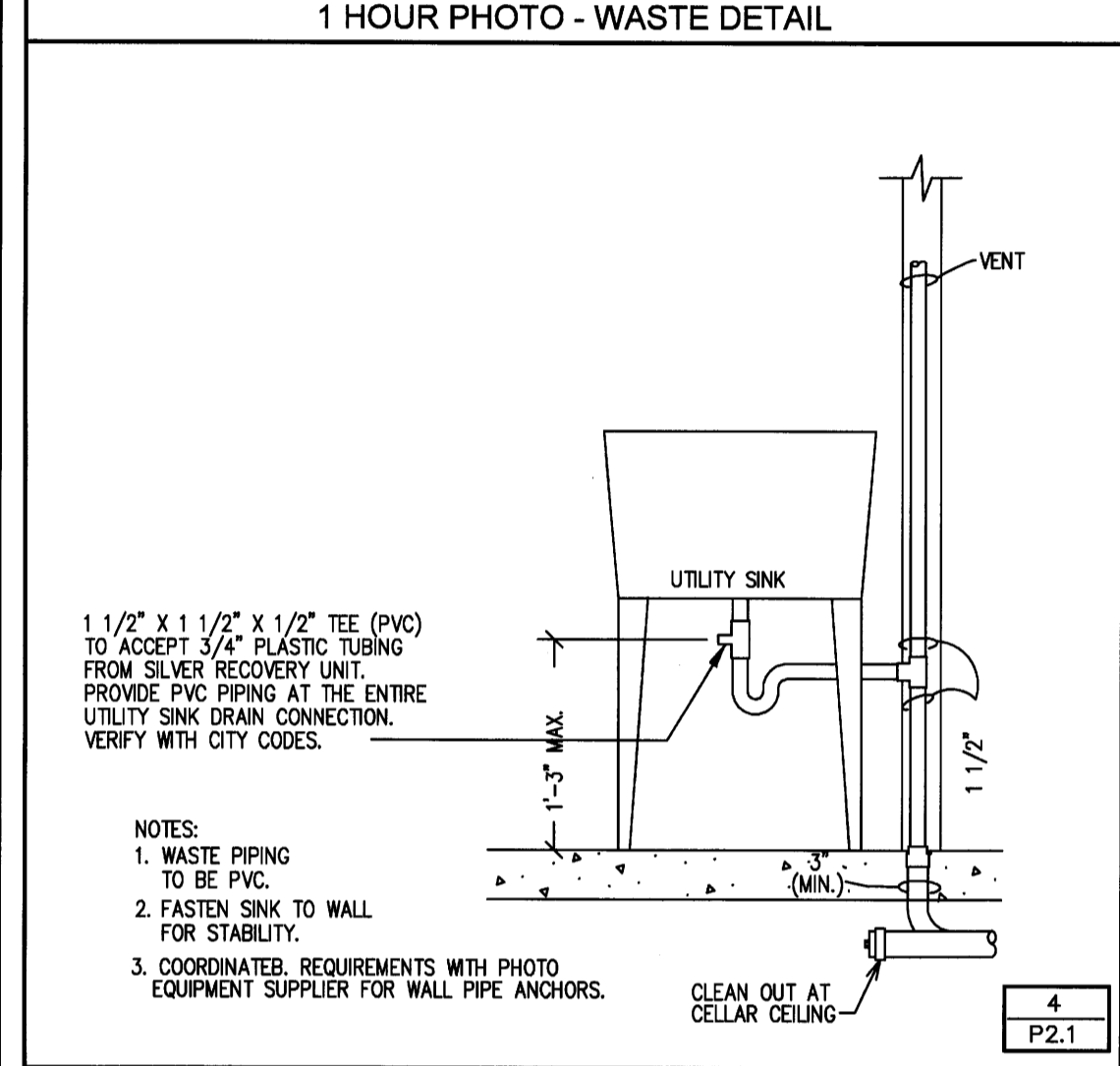
**DOMESTIC WATER PIPING**  
**HB-1 FREEZELESS WALL HYDRANT**  
WOODFORD MODEL B65 CONCEALED BOX TYPE NON-FREEZE, FLUSH WALL HYDRANT, ALL BRASS OR BRONZE CONSTRUCTION WITH BRASS ROUND BRONZE OR NICKEL BRONZE EXTERIOR FINISH INCLUDING BOX AND HINGE DOOR. FURNISH WITH COPPER TUBE CASING, INTEGRAL AUTOMATIC DRAINING, ANTI SIPHON VACUUM BREAKER, LOOSE KEY-HANDLE, 3/4" COLD WATER INLET AND 3/4" GARDEN HOSE OUTLET. VERIFY WALL THICKNESS BEFORE ORDERING. ACCEPTABLE ALTERNATES OF EQUAL PRODUCT ARE JOSAM, SMITH, WADE, ZURN.

**HB-2 HOSE BIB (2):**  
HOSE BIBB (HB-1) WALL FAUCET W/ 3/4" MAILE HOSE THREADED VACUUM BREAKER, WITH POLISHED CHROME FINISH, LOOSE KEY, WOODFORD MANUF. CO. MDL. NO. 24P-3/4. ROUGH-IN: 3/4" COLD WATER  
ALTERNATE MANUFACTURERS: JOSAM, J.R. SMITH, ZURN.

**FLOOR DRAINS / FUNNELS**  
FD-1 - WITHOUT FUNNEL, CAST IRON BODY, 6" DIA. STRAINER OF NICKEL-BRONZE, 3" SIZE UNLESS ORDERED DIFFERENT PER:  
JOSAM 30000 SERIES  
SMITH 2010 SERIES  
WADE 1100 SERIES  
ZURN 2-415 SERIES  
FD-1P - WITHOUR FUNNEL, PVC BODY WITH 6" DIA STRAINER, 3" SIZE UNLESS ORDERED DIFFERENT PER:  
SIOUX CHIEF 842-36PNR  
FD-2 - WITH 4" NICKEL-BRONZE FUNNEL, CAST IRON BODY 6" DIA STRAINER PF NICKEL-BRONZE, 3" UNLESS ORDERED DIFFERENT, PER:  
JOSAM 30000 SERIES  
SMITH 2010 SERIES  
WADE 1100 SERIES  
ZURN 2-415 SERIES  
FD-2P - WITH 4" NICKEL-BRONZE FUNNEL, PVC BODY DING AND 6" DIA STRAINER, 3" SIZE UNLESS ORDERED DIFFERENT PER: SIOUX CHIEF 842-36PNR & 863-FN

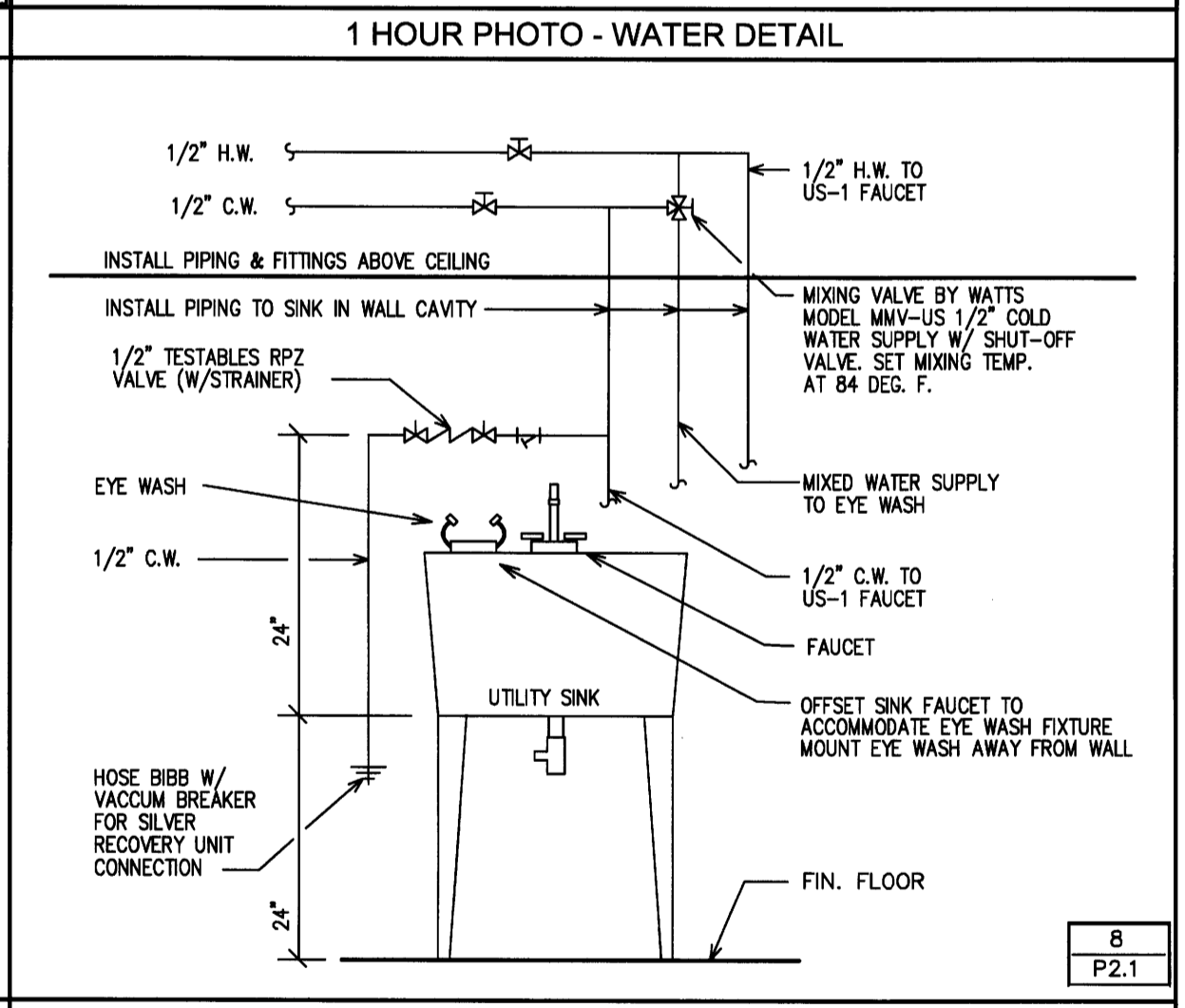
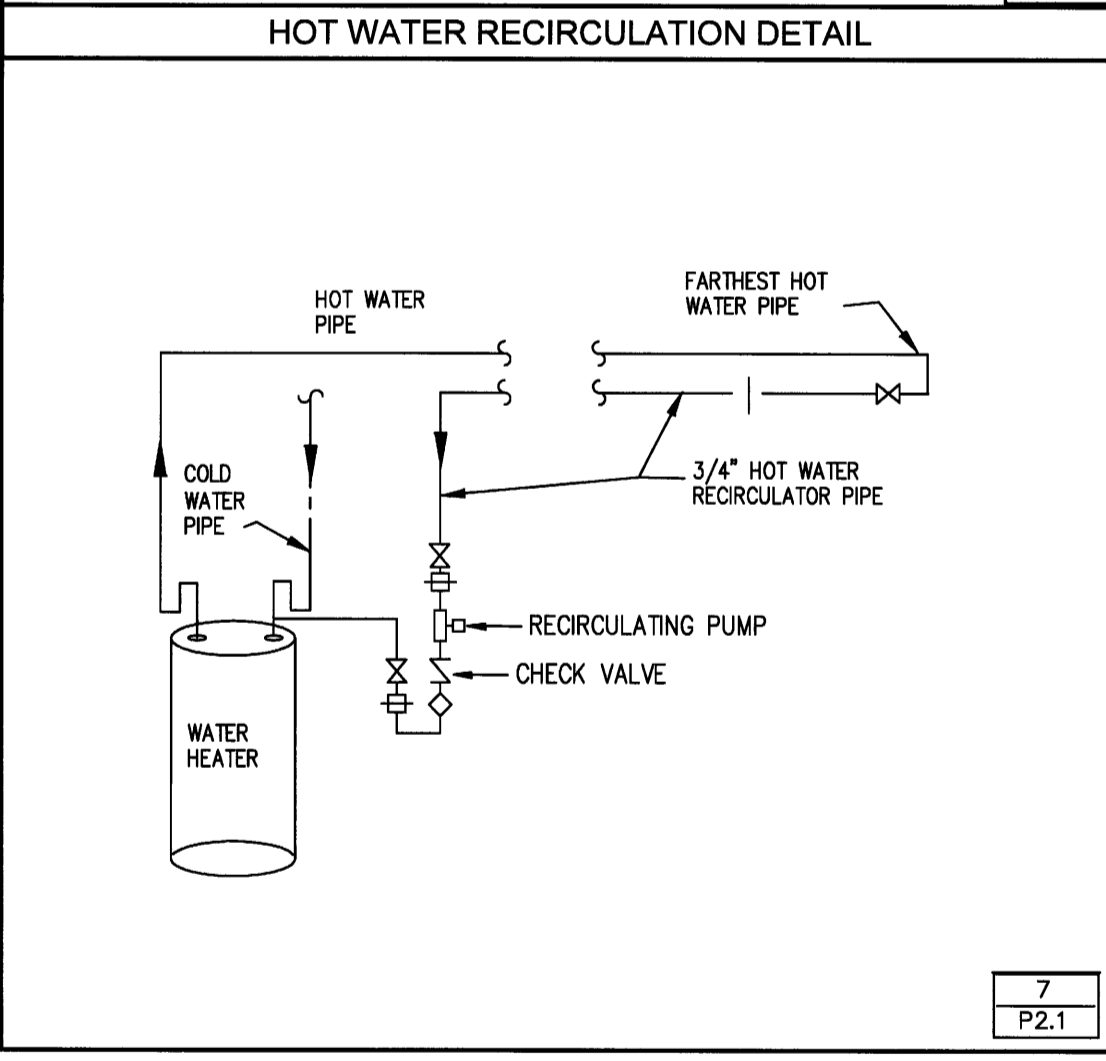
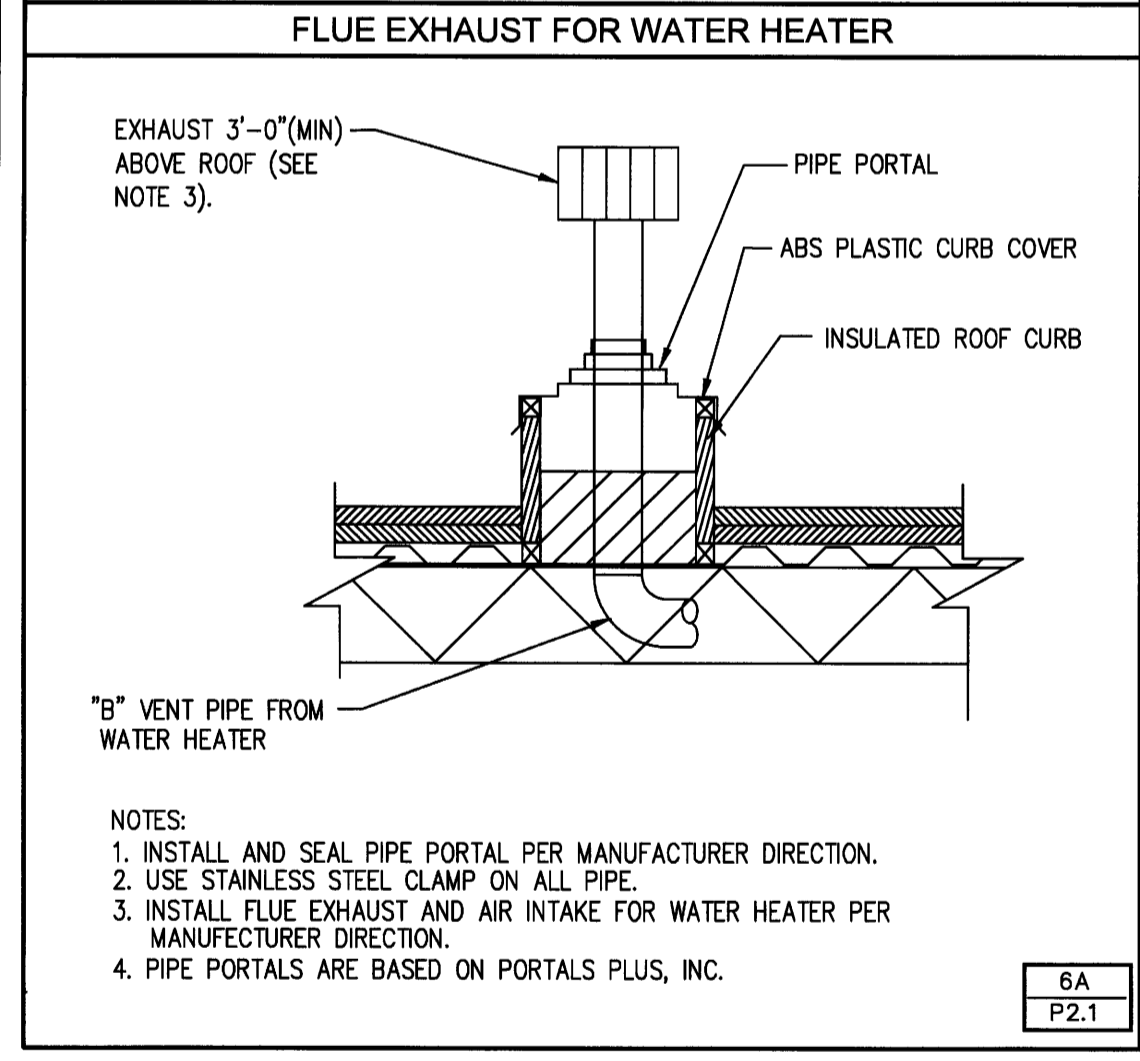
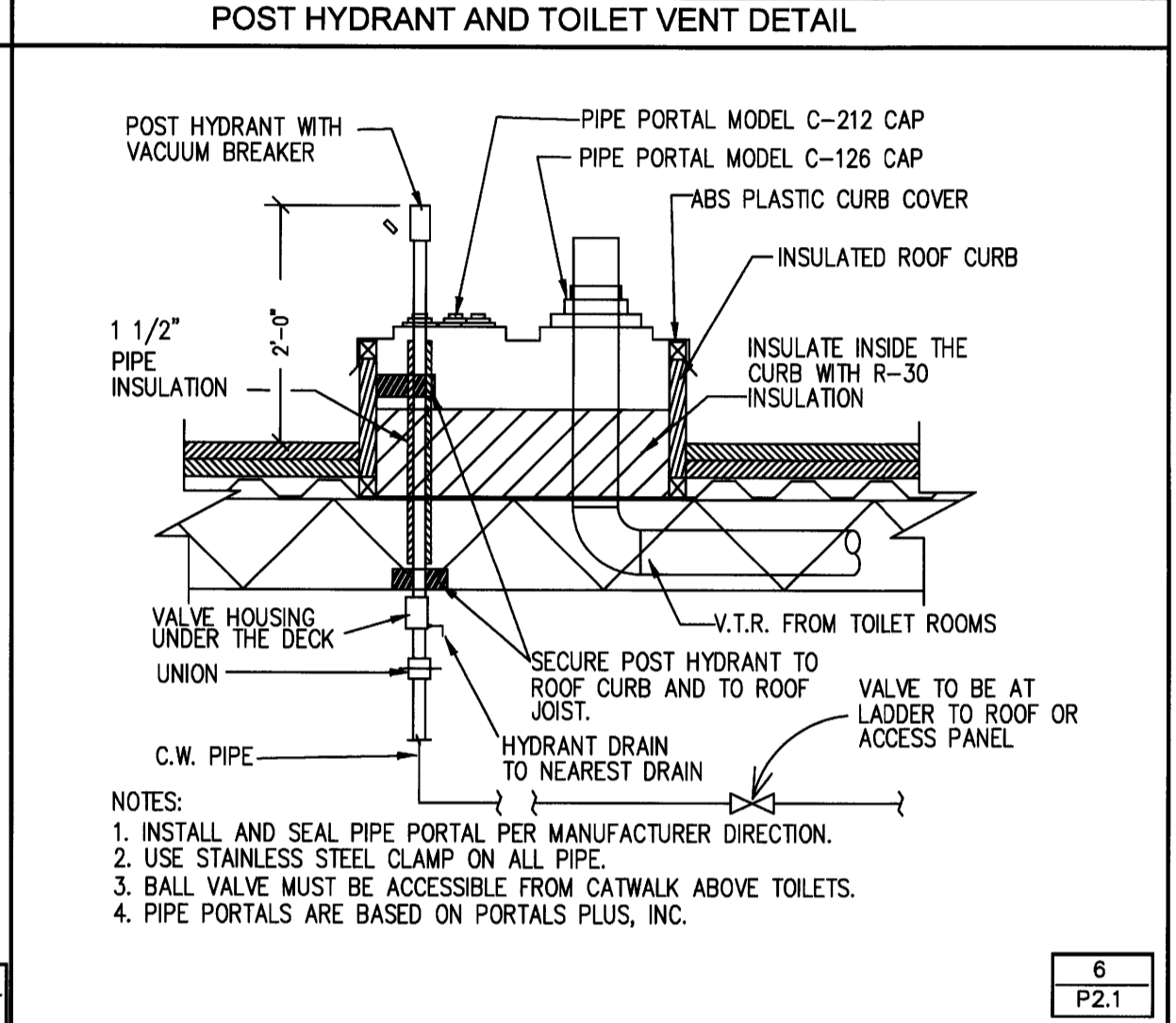
**CLEANOUTS**  
FCO-1 - FLOOR TYPE WITH CAST IRON BODY, NICKEL-BRONZE RING AND SECURED COVER PER:  
JOSAM 55000 SERIES  
SMITH 4020 SERIES  
WADE 6000 SERIES  
ZURN ZN-1400 SERIES  
FCO-1P - FLOOR TYPE SITH PVC BODY, NICKEL-BRONZE RING AND SECURED COVER, PER: SIOUX CHIEF 842-4PNR.  
WCO-1 - WALL TYPE WITH 6" ROUND SS COVER PLATE, SCREW CAST IRON BODY, ABS THREADED PLUG PER:  
JOSAM 58600 SERIES  
SMITH 4710 SERIES  
WADE 8480 SERIES  
ZURN ZN-1400 SERIES  
WCO-1P - WALL TYPE, PVC BODY, WITH BRASS CLEANOUT PLUG, ROUND SS COVER PLATE AND OTHER FEATURES SIM TO WCO-1 PER SIOUX CHIEF 873-460.  
WCO-2 - WALL TYPE WITH SMOOTH FACE COVER PLATE, SQUARE FRAME, CAST IRON BODY, 8"x8" NICKEL-BRONZE RING PER:  
JOSAM 58640 SERIES  
SMITH 4730 SERIES  
WADE 8480 SERIES  
ZURN ZN-1400 SERIES  
GCO-1 - GRADE CLEAN OUT, YARD TYPE WITH CAST IRON BODY, RING AND COVER PER:  
JOSAM 55000 SERIES  
SMITH 4100 SERIES  
WADE 6000 SERIES  
ZURN ZN-1400 SERIES

**STORM DRAINAGE PIPING**  
**ROOF DRAINS**  
RD-1 - ROOF DRAINS - COATED CAST IRON BODY (PVC IS NOT PERMITTED) WITH ADJUSTABLE EXTENSION, LOW SILHOUETTE POLYPROPYLENE VANDAL PROOF SECURED DOME, CAULKED OUTLET AND A METAL UNDER DECK CLAMP. PER:



NOT USED

5 P2.1



NO. DATE BY DESCRIPTION CONST

**REVISIONS**

**CERTIFICATION AND SEAL**

I HEREBY CERTIFY THAT THIS PLAN AND SPECIFICATION WAS PREPARED BY ME OR UNDER MY DIRECT SUPERVISION AND THAT I AM A DULY REGISTERED ARCHITECT OR ENGINEER UNDER THE LAWS OF THE STATE OF MAINE AS SIGNIFIED BY MY HAND AND SEAL.

**FISCAL 2007 CRITERIA - STORE #12325**

WALGREENS  
616 FOREST AVENUE  
PORTLAND, MAINE

DRAWING TITLE  
**PLUMBING SCHEDULES, NOTES AND DETAILS**

CADD PLOT: \_\_\_\_\_ SCALE: AS NOTED DRAWING NO. \_\_\_\_\_  
VOID PLOT: \_\_\_\_\_ DRAWN BY: WAL  
RELEASED TO CONSTRUCTION: \_\_\_\_\_ DATE: 12-10-08  
REVIEWED BY: \_\_\_\_\_ P2.1  
SAM

NOTE: ALL PLUMBING FIXTURES SHALL BE WHITE UNLESS OTHERWISE NOTED.