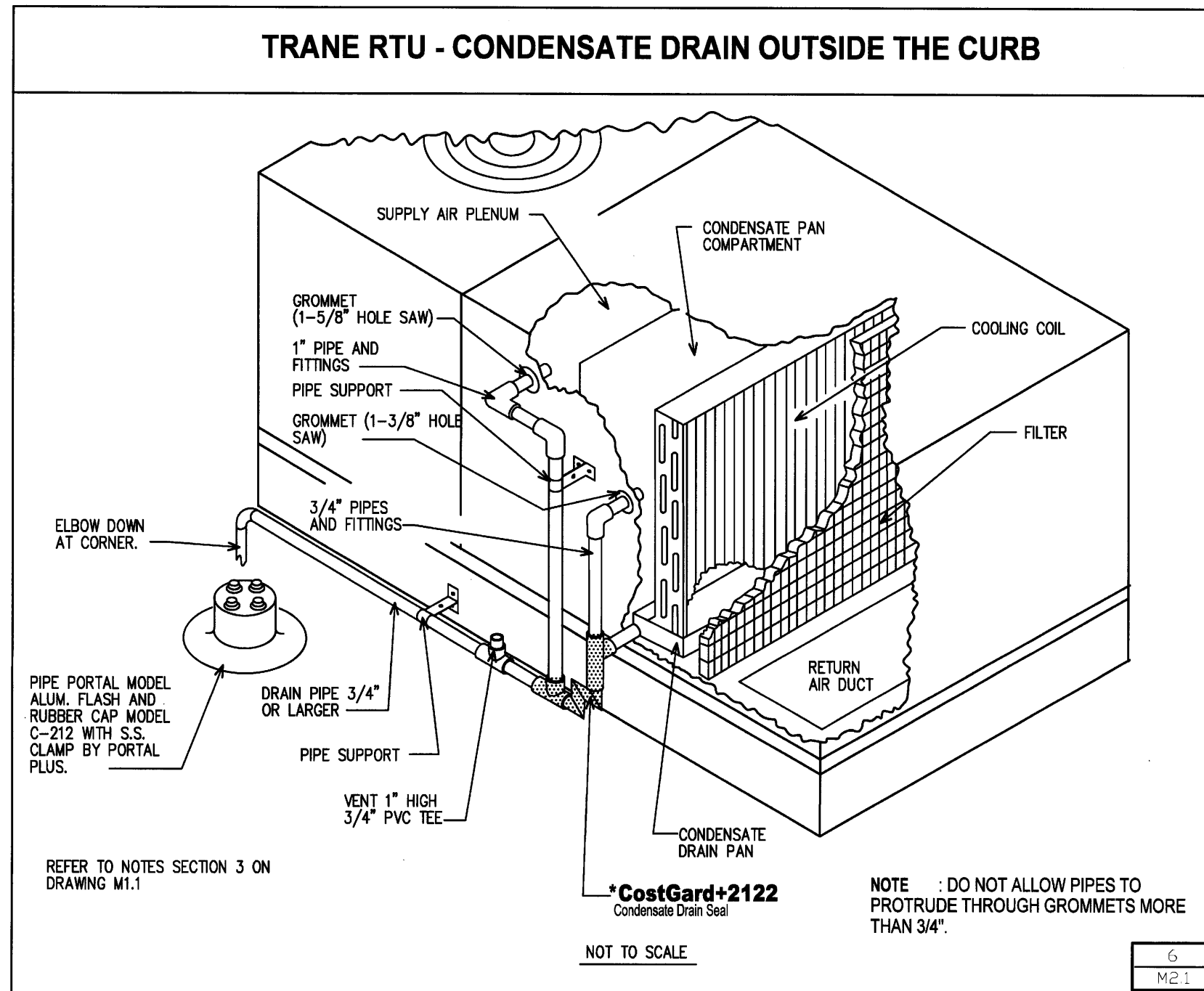


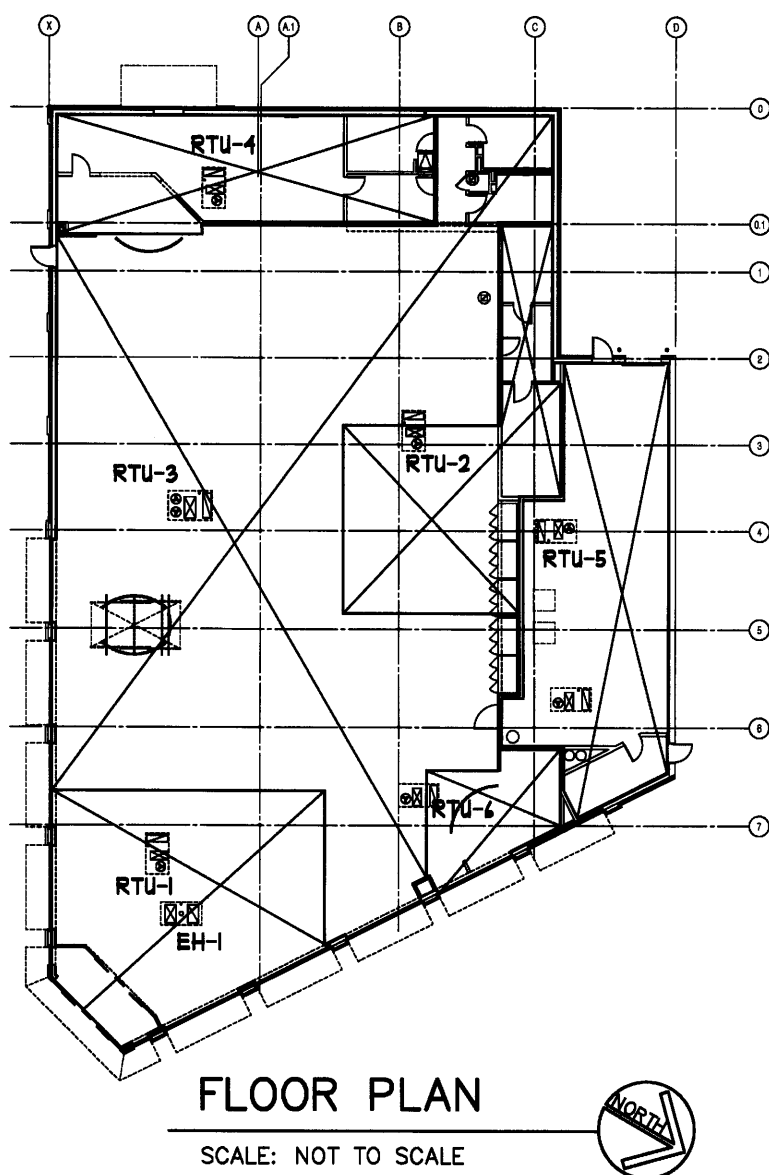
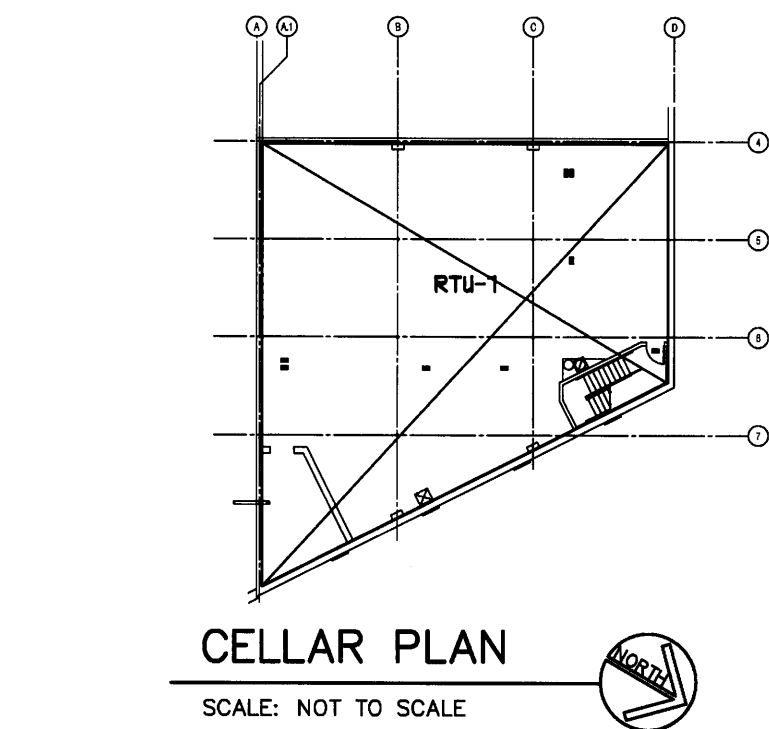
DRAWINGS/SPECIFICATIONS BY:
 WALGREENS'
 LANDLORD'S CONSULTANT
 ALL CONSTRUCTION WORK, UNLESS NOTED OTHERWISE, BY:
 WALGREENS' CONTRACTOR
 LANDLORD'S CONTRACTOR (TURNKEY CONSTRUCTION)

STORE		BUILDING	
NEW	<input checked="" type="checkbox"/>	NEW	<input checked="" type="checkbox"/>
REMODELING	<input type="checkbox"/>	EXISTING	<input type="checkbox"/>
RELOCATION	<input type="checkbox"/>	NEW SHELL ONLY	<input type="checkbox"/>
OTHERS	<input type="checkbox"/>		

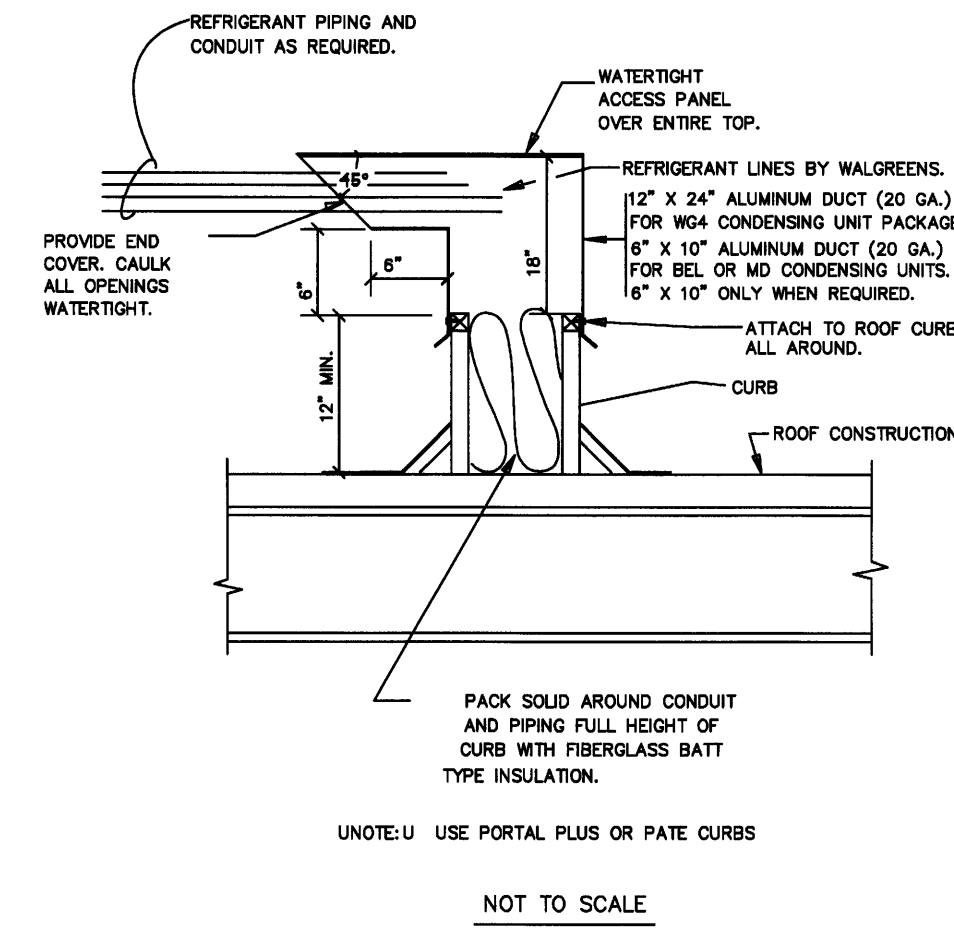


- TYPICAL CONDENSATE DRAIN NOTES:**
- FURNISH AND INSTALL 3/4\"/>
 - COSTGARD DEVICE BY TRENT TECHNOLOGIES, INC. TYLER, TEXAS 1903501-4849.
 - CONDENSATE PIPING TO BE PVC SCHEDULE 40, IN BOTH THE BASIC AND ALTERNATE DRAIN SYSTEMS. ELBOW DOWN, ROOFING CONTRACTOR TO PROVIDE SPLASH PROVISION.
 - DO NOT INSTALL ANY PIPING THAT WILL INTERFERE WITH REQUIRED UNIT ACCESS.
 - RUN BELOW ROOF IF CODE DOES NOT ALLOW DISCHARGING ONTO THE ROOF.
 - EITHER THE BASIC OR ALTERNATE SYSTEM MAY BE USED EXCEPT THAT THE ALTERNATE SYSTEM MUST BE USED IN JURISDICTIONS WHERE PIPING ABOVE THE ROOF IS PROHIBITED. TRANE UNITS AND SOME CARRIER UNITS (S AND ABOVE) ARE NOT DELIVERED WITH DRAIN CONNECTIONS IN THE BOTTOM OF THE PAN, THUS DRAIN CONNECTIONS FOR THESE UNITS MUST BE MADE IN THE FIELD. DETAILED INSTALLATION INSTRUCTIONS ARE PROVIDED WITH EACH SHIPMENT OF CostGard DRAIN SEAL.
 - ALL PIPING SHALL BE INSULATED INCLUDING BRANCH, MAIN, VENT AND CostGard.
 - RUN CONDENSATE PIPING 3\"/>

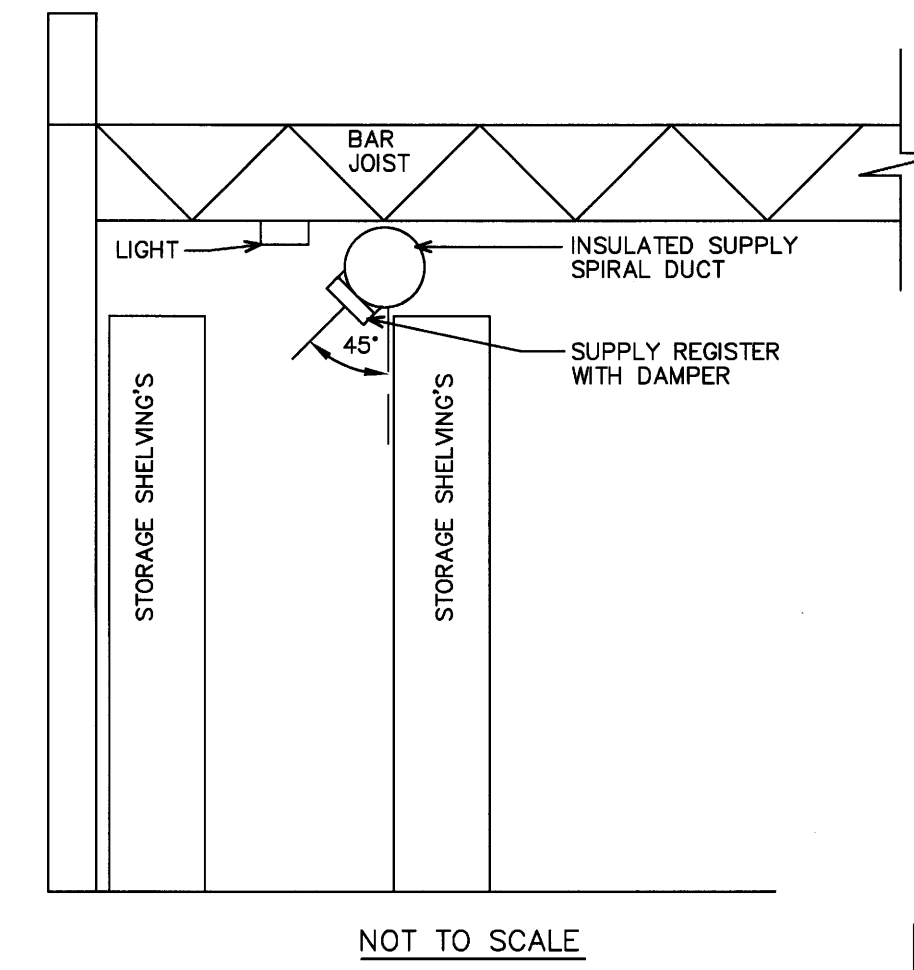
ROOF TOP ZONING COVERAGE



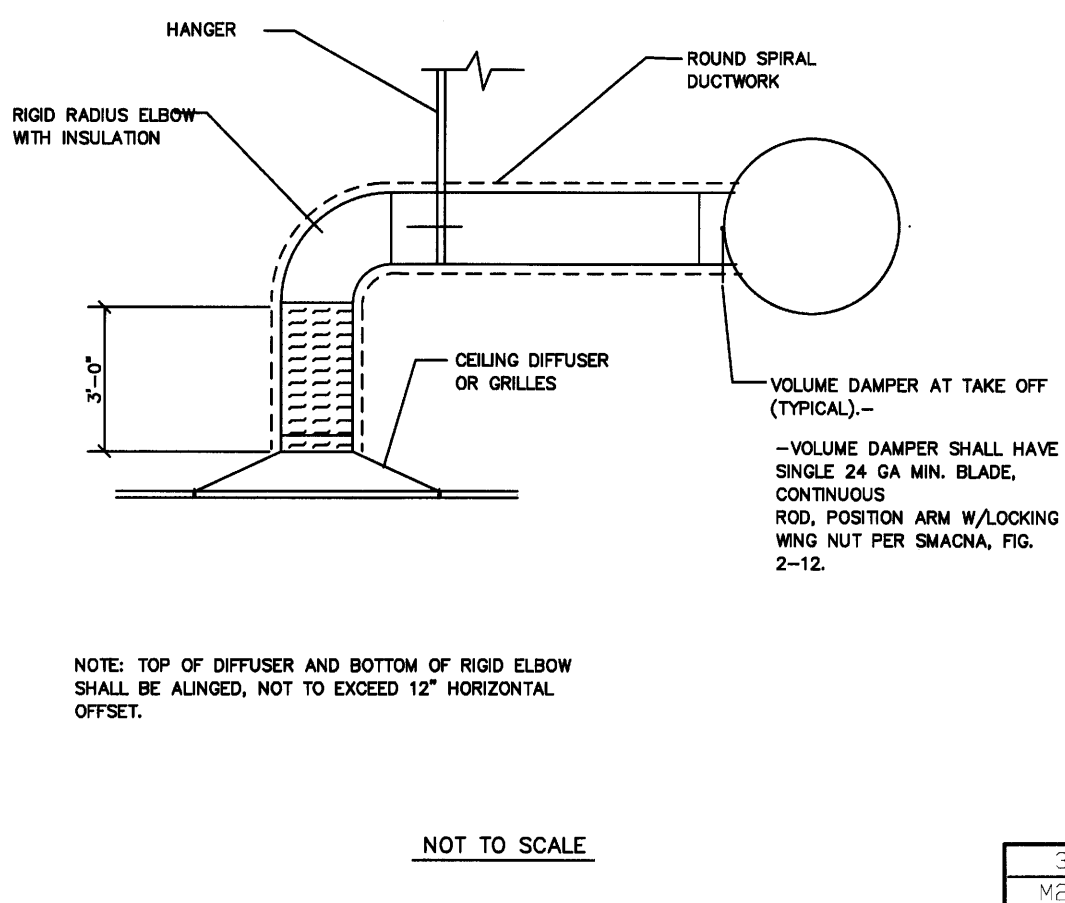
PIPE PORTAL



STOCKROOM AIR SUPPLY DETAIL



SUPPLY FLEXIBLE DUCTWORK



AIR TERMINAL SCHEDULE									
TAG	AREA	RANGE CFM	NECK IN.	OVERALL SIZE I IN.	BORDER	TYPE	BLOW	O.B.D. DAMPER	PRICE MODEL OR LISTED EQUAL
S.A.D.	SALES	50 - 120	4 DIA.	24 x 24	LAY-IN	PLAQUE	360 DEG.	NONE	ASPD
S.A.D.	SALES	121 - 235	6 DIA.	24 x 24	LAY-IN	PLAQUE	360 DEG.	NONE	*
S.A.D.	SALES	236 - 400	10 DIA.	24 x 24	LAY-IN	PLAQUE	360 DEG.	NONE	*
S.A.D.	SALES	401 - 480	12 DIA.	24 x 24	LAY-IN	PLAQUE	360 DEG.	NONE	*
S.A.D.	SALES	481 - 1000	14 DIA.	24 x 24	LAY-IN	PLAQUE	360 DEG.	NONE	*
S.A.D.	SALES	1001 - 1450	16 DIA.	24 x 24	LAY-IN	PLAQUE	360 DEG.	NONE	*
S.A.D.	NON-SALES	50 - 150	4 x 4	24 x 24	LAY-IN	FLUSH FACE LOUVERED	4 WAY	NONE	AMDA-34
S.A.D.	NON-SALES	151 - 400	6 x 6	24 x 24	LAY-IN	FLUSH FACE LOUVERED	4 WAY	NONE	*
S.A.D.	NON-SALES	401 - 480	8 x 8	24 x 24	LAY-IN	FLUSH FACE LOUVERED	4 WAY	NONE	*
S.A.D.	NON-SALES	481 - 1000	12 x 12	24 x 24	LAY-IN	FLUSH FACE LOUVERED	4 WAY	NONE	*
S.A.G.	STOCK	50 - 300	12 x 6	14 x 8	NOTE 1	NOTE 4.	1 WAY	NONE	420 DL
S.A.G.	ENTRANCE	300 - 400	14 x 6	14 x 8	NOTE 1	NOTE 4.	1 WAY	NONE	*
S.A.G.	ENTRANCE	401 - 1000	22 x 6	24 x 8	NOTE 1	NOTE 4.	1 WAY	NONE	*
S.A.G.	ENTRANCE	1001 - 1000	20 x 10	22 x 12	NOTE 1	NOTE 4.	1 WAY	NONE	*
S.A.G.	ENTRANCE	1001 - 1200	24 x 10	24 x 12	NOTE 1	NOTE 4.	1 WAY	NONE	*
R.A.G.	SALES	2501 - 5000	41 x 23	48 x 24	LAY-IN	1 1/2\"/>			

NOTES:

- PROVIDE PROPER BORDER AND MOUNTING OPTION THAT IS COMPATIBLE WITH THE ADJACENT SURFACE.
- PROVIDE * ADJUSTABLE PATTERN TYPE IN SUPPLY FOR PHARMACY, OFFICE AND EMPLOYEE ROOM.
- IN PHARMACY, PROVIDE 2 AND 3 WAY BLOW DIFFUSERS AS SHOWN ON PLAN.
- DOUBLE DEFLECTION WITH HORIZONTAL BLADES
- AIR TERMINAL DEVICES SHALL BE ALL ALUMINUM WITH A WHITE FACTORY FINISH TO MATCH ADJACENT CEILING GRID.
- TOTAL STATIC PRESSURE DROP ACROSS AN AIR TERMINAL SHALL NOT EXCEED 0.20 IN. WC.
- ACCEPTABLE MANUFACTURERS: CARNES, KRUEGER, METALAIR, NAILOR, PRICE, TITUS, TUTTLE AND BAILEY.
- DUCT INSULATION SHALL EXTEND DOWN OVER TOP AND SIDES OF ALL SUPPLY DIFFUSERS AND GRILLES.

LEGEND	
	SUPPLY AIR
	RETURN AIR OR TRANSFER AIR
	EXHAUST AIR
	MANUAL DAMPER
	SD SPLITTER DAMPER
	GAS
	EX EXHAUST DUCT
	MOTOR (SEE SCHEDULE ON DRAWING M2.0)
	THERMOSTAT (MOUNT 5'-0\"/>

GAS METER	
AHU	AIR HANDLING UNIT
AC	AIR CURTAIN
CFM	CUBIC FEET PER MINUTE
CU	CONDENSING UNIT
EF	EXHAUST FAN
EH	ENTRANCE HEATER
EW	ELECTRIC WALL HEATER
FD	FIRE DAMPER WITH ACCESS DOOR
SAD	SUPPLY AIR DIFFUSER
SAG	SUPPLY AIR GRILLE
SAR	SUPPLY AIR REGISTER
SF	SUPPLY FAN
RAG	RETURN AIR GRILLE
TAG	TRANSFER AIR GRILLE
EAG	EXHAUST AIR GRILLE
RTU	ROOF TOP UNIT
UH	UNIT HEATER
UC	UNDERCUT

NO.	DATE	BY	DESCRIPTION	CONST

REVISIONS

CERTIFICATION AND SEAL

I HEREBY CERTIFY THAT THIS PLAN AND SPECIFICATION WAS PREPARED BY ME OR UNDER MY DIRECT SUPERVISION AND THAT I AM A DULY REGISTERED ARCHITECT OR ENGINEER UNDER THE LAWS OF THE STATE OF MAINE AS SIGNIFIED BY MY HAND AND SEAL.

FISCAL 2007 CRITERIA - STORE #12325

WALGREENS
 616 FOREST AVENUE
 PORTLAND, MAINE

DRAWING TITLE
MECHANICAL DETAILS

CADD PLOT:	SCALE: AS NOTED	DRAWING NO.
VOID PLOT:	DRAWN BY: WAL	M2.1
RELEASED TO CONSTRUCTION	DATE: 12-10-08	
	REVIEWED BY: SAM	