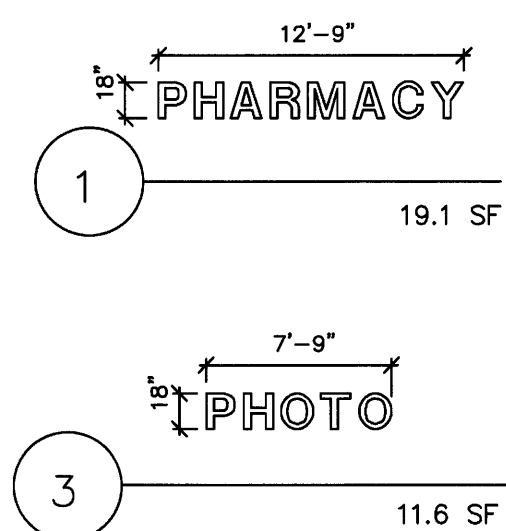


CHANNEL LETTER L.E.D. SIGNS

■ BRONZE RETURNS W/ LIGHT BACKGROUND.
□ WHITE RETURNS W/ DARK BACKGROUND.

RED #2793 PLEXIGLAS FACE HELVETICA MEDIUM CHANNEL LETTERS, PRE-FINISHED METAL ALUMINUM FILLER, BACKS OF LETTERS .125 ALUMINUM PLATE.
FOR ELECTRICAL DATA & DETAIL SEE ELECTRICAL DRAWINGS.

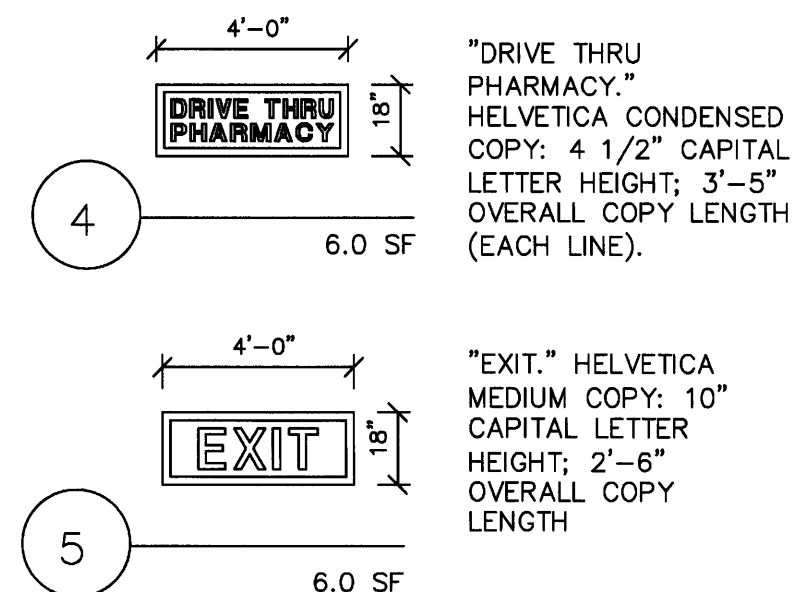


6 "WALGREENS" PYLON SIGN
SEE SHEET A5.1

BOX SIGN

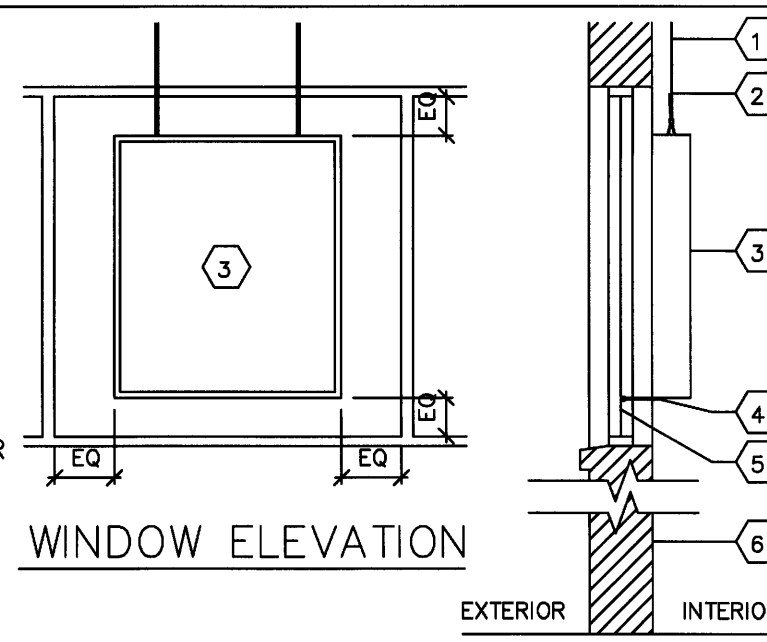
SIGN CABINETS FROM .063" THICK DARK BRONZE FINISH ALUMINUM, 2" WIDE CABINET RETURNS. C.W.H.O. FLUORESCENT ILLUMINATION.

SIGN FACES: #7238 WHITE IMPACT RESISTANT DR ACRYLIC WITH 3M #3630-53 "CARDINAL RED" SURFACE APPLIED VINYL FILM BACKGROUND, COPY TO REMAIN WHITE.



WINDOW SIGN INSTALLATION DETAILS

- ELECTRONIC POWER SUPPLY CABLE TO RUN CONCEALED BEHIND OR WITHIN WINDOW MULLIONS WHERE POSSIBLE.
- STAINLESS STEEL SUSPENSION CABLE TO CEILING STRUCTURE AS UNOBTRUSIVELY AS POSSIBLE.
- ILLUMINATED SIGN.
- TRANSPARENT STAND-OFF BUM WITH RUBBER TIP AS REQUIRED.
- WINDOW GLASS SURFACE.
- WALL CONSTRUCTION.



7 WINDOW SECTION
NTS

CLEARANCE SIGN

SIGN DATA:
SIGN PANEL FROM .063" THICK ALUMINUM WITH HEMMED EDGES. FACE TO BE YELLOW WITH 3" HIGH BLACK HELVETICA MEDIUM CAPITAL LETTER COPY. BACKGROUND SURFACE COATING TO BE 3M "SCOTCHLITE" REFLECTIVE FILM, YELLOW #580-71. SUSPEND SIGN ON ONE LINK OF CHAIN FROM BOX SIGN.

8 CLEARANCE SIGN
SCALE: N.T.S.

MOESER & ASSOCIATES ARCHITECT

206 AYER ROAD HARVARD, MA 978-456-6905

DRAWINGS/SPECIFICATIONS BY:
□ WALGREENS'
■ LANDLORD'S CONSULTANT

ALL CONSTRUCTION WORK, UNLESS NOTED OTHERWISE, BY:
□ WALGREENS' CONTRACTOR
■ LANDLORD'S CONTRACTOR (TURNKEY CONSTRUCTION)

STORE	BUILDING
NEW ■	NEW ■
REMODELING □	EXISTING □
RELOCATION □	NEW SHELL ONLY □
OTHERS □	

WORK RESPONSIBILITY

ALL EXTERIOR BUILDING SIGNS SHALL BE FURNISHED AND INSTALLED BY WALGREENS SIGN CONTRACTOR.

ALL OTHER RELATED WORK INCLUDING SIGN SUPPORTS AND ELECTRICAL POWER SUPPLY SHALL BE PER SIGN SPECIFICATIONS - THIS SHEET.

ALL FINAL CONNECTIONS MADE BY SIGN CONTRACTOR.

NATIONAL ACCOUNTS

SIGN ASSEMBLY AND EXPEDITER
ICON-EAST COAST 800-355-3272

ELECTRONIC READERBOARD MANUFACTURER
HI-TECH: ASSIGNED TO THE STATES OF CONNECTICUT, DELAWARE, DISTRICT OF COLUMBIA, MAINE, MARYLAND, MASSACHUSETTS, NEW HAMPSHIRE, NEW JERSEY, NEW YORK, PENNSYLVANIA, RHODE ISLAND, AND VERMONT.

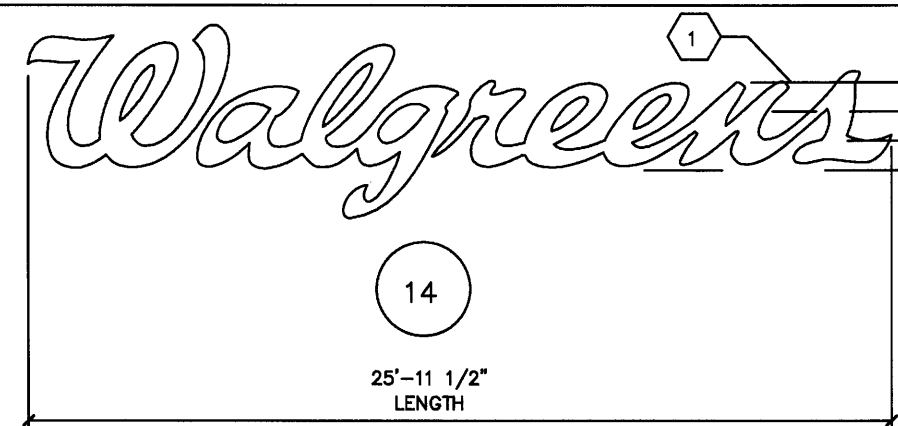
LED ILLUMINATION FOR WALL LETTERS: SLOAN

9 CONSTRUCTION SIGN
N.T.S.



BANNER BY WALGREENS SIGN MANUFACTURER

CHANNEL LETTER L.E.D. SIGN DETAILS



RED SCRIPT SIGN DATA

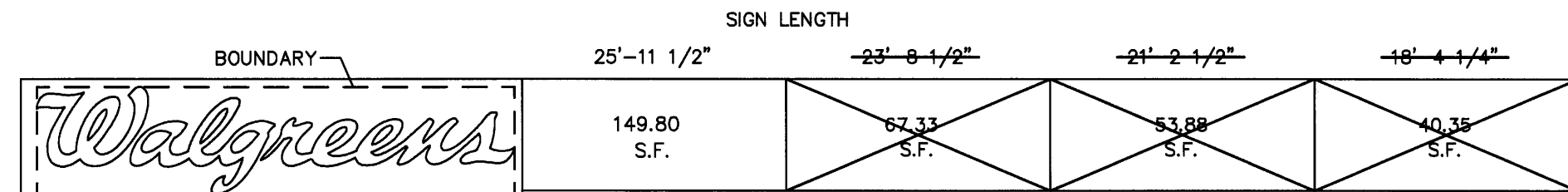
LENGTH	LOWER CASE LETTER	CAPITAL LETTER	TOP W BOTTOM	AREA SQUARE FEET	WEIGHT
25'-11 1/2"	29.5"	51.5"	89.25	80.71	147

EXTERIOR SCRIPT SIGN KEYED NOTES

- SIGN SUPPORTS - GENERAL CONTRACTOR SHALL FURNISH & INSTALL SUPPORTS WHERE STUD TYPE FRAMING OCCURS. BACK SIDE OF WALL SHALL REMAIN OPEN UNTIL ALL ELECTRICAL & SIGN WORK IS COMPLETED. REFERENCE: SPECIFICATIONS ON THIS SHEET.
- CONDUIT & HOUSING THRU WALL - SIGN CONTRACTOR SHALL BE RESPONSIBLE FOR LOCATION AND INSTALLATION THRU WALL. REFERENCE: SPECIFICATIONS ON THIS SHEET.
- EXPANSION ANCHOR TOGGLE OR EPOXYED STUD TO ANCHOR 1" CLIP TO WALL SURFACE. USE CLEAR SEALANT AT BUILDING FACE.
- .063 ALUMINUM FILLER - REFLECTIVE EXTERIOR (COLOR AS SPECIFIED BELOW) OF LETTER, AND REFLECTIVE WHITE INTERIOR.
□ BRONZE RETURNS.
□ WHITE RETURNS.
- 3/16" PLEXIGLAS.
- RED FLAT TOP L.E.D. ILLUMINATION SEGMENT (TELEDYNE OR SLOAN PER REGION).
- .125 ALUMINUM BACK.
- 2" X 1-1/2" X 3/16" #6061 ALUM. CHANNEL MOUNTING CLIPS W/ 3/8"-16 HEX HEAD BOLTS W/ NUT AND WASHER.
- TRIM CAP (1/8" X 1"). COLOR TO MATCH RETURN.
- SEE ARCHITECTURAL DRAWINGS FOR MATERIAL.
- WELD-ON 40 AND RESIN BOND.
- #8 S.S. FLAT HEAD SCREW.
- PRE-DRILLED 3/8" DIA. DRAIN HOLE W/ SHADOW SCREEN.
- JUNCTION BOX. SEE ELECT. DRAWINGS.

NOTE: SEALANTS FOR OPENINGS ARE TO BE COMPATIBLE WITH THE MATERIALS THEY CONTACT. CONSULT FINISH MANUFACTURER FOR RECOMMENDED SEALANTS.

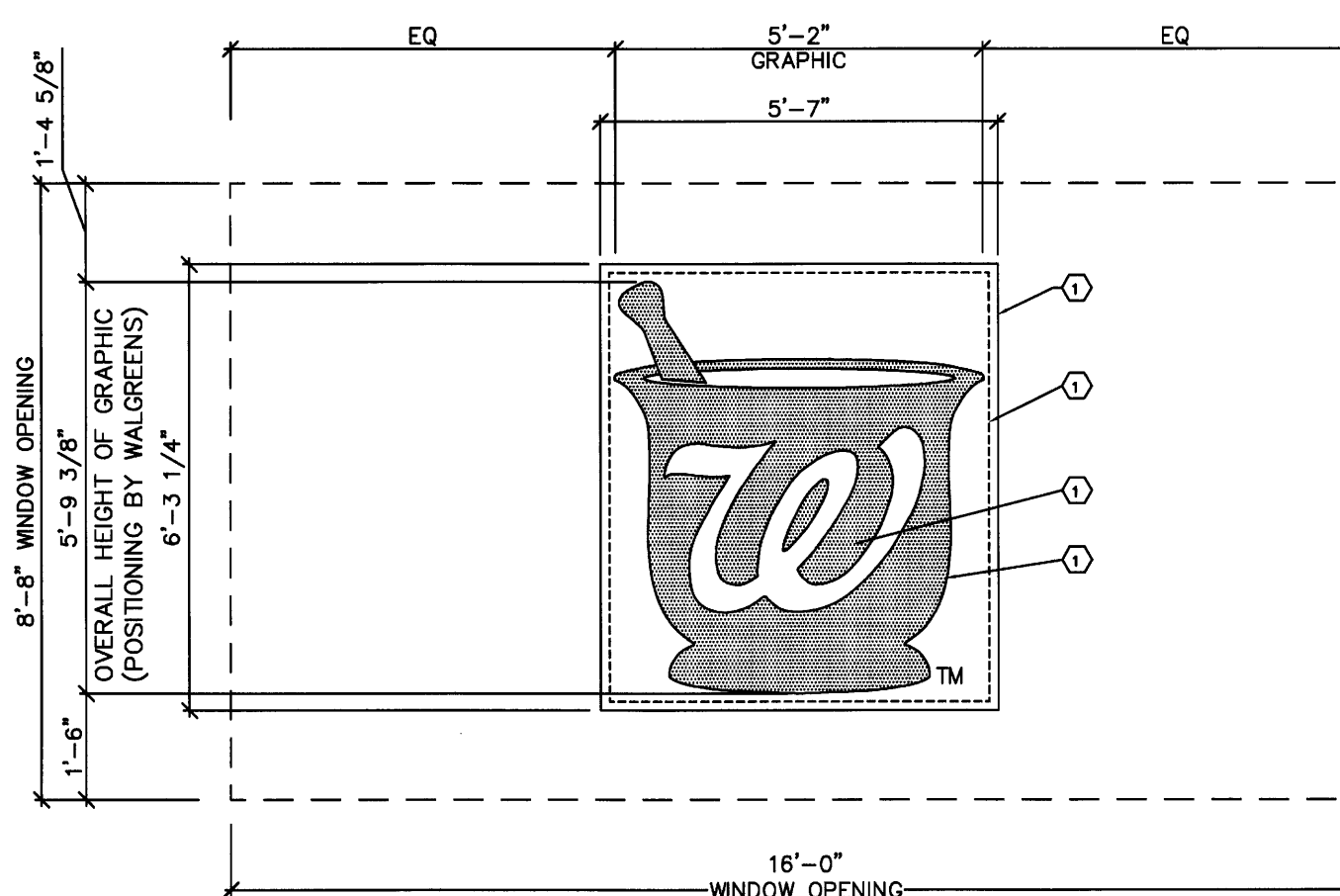
AREA COMPUTATIONS FOR SCRIPT SIGNS



SIGN SPECIFICATION

- GENERAL CONTRACTOR SHALL:
 - THIS CONTRACTOR SHALL COORDINATE ALL WORK. NOTIFY ELECTRICAL CONTRACTOR & SIGN CONTRACTOR AS SOON AS POSSIBLE AFTER THE SIGN WALL OR STRUCTURE IS IN PLACE. GENERAL CONTRACTOR SHALL NOT CLOSE UP THE BACK SIDE OF WALL UNTIL ELECTRICAL CONTRACTOR & SIGN CONTRACTOR HAVE COMPLETED THEIR WORK.
 - CONCEALED SIGN SUPPORTS: GENERAL CONTRACTOR SHALL PROVIDE CONCEALED CONTINUOUS WOLMANIZED STRUCTURAL GRADE WOOD SIGN SUPPORTS WHERE STUD OR RAFTER TYPE FRAMING OCCURS.
 - WHERE SCRIPT SIGNS ARE SHOWN, PROVIDE 2 CONCEALED 2 X 6 MEMBERS AT TOP AND BOTTOM OF SCRIPT FOR ALL SIGNS UP TO 20'-8 3/4". SCRIPT SIGNS OVER 20'-8 3/4", PROVIDE 2 CONCEALED 2 X 8 MEMBERS AT TOP AND BOTTOM OF SIGNS.
 - N/A.
 - WHERE INDIVIDUAL LETTER SIGNS ARE SHOWN, PROVIDE 2 CONCEALED 2 X 6 MEMBERS TOP AND BOTTOM OF SIGNS.
- ELECTRICAL CONTRACTOR:

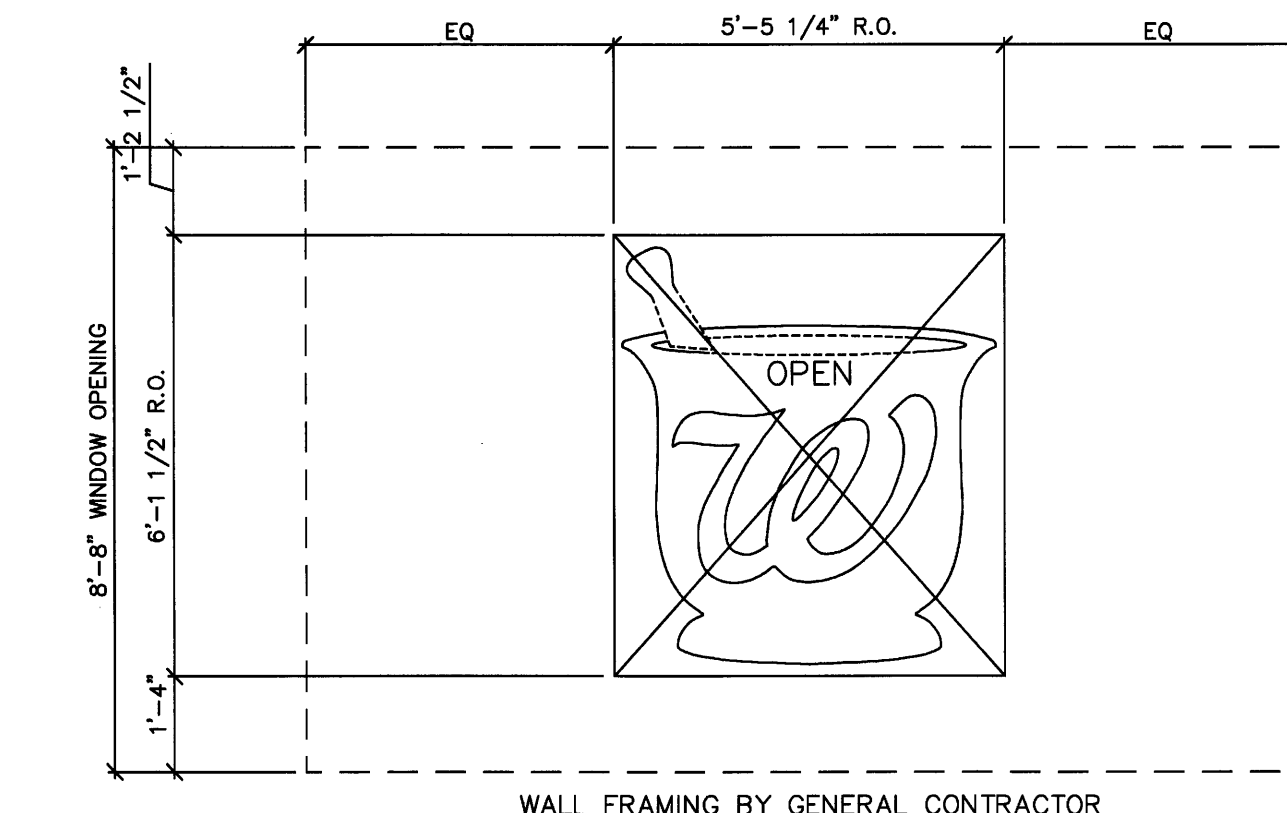
THIS CONTRACTOR SHALL PROVIDE ONE MAIN ELECTRIC SERVICE PANEL AND FEEDS TO THE BACK SIDE OF SIGN WALL. ELECTRICAL CONTRACTOR SHALL PROVIDE CONDUIT, FEED AND JUNCTION BOXES ALONG BACK SIDE OF SIGN WALL. PROVIDE JUNCTION BOXES FOR EACH LOCATION APPROXIMATELY WHERE SIGN CONTRACTOR WILL PROVIDE CONDUIT HOUSING THROUGH WALL. PROVIDE ELECTRIC SERVICE CAPACITIES AND CIRCUITS AS SHOWN ON ELECTRICAL DRAWINGS.
- SIGN CONTRACTOR:
 - FOLLOW DRAWINGS & SPECIFICATIONS OF SIGNS AND USE TEMPLATES OF APPROVED DIMENSIONS, CONTOURS, SHAPES AND WITH ELECTRICAL COMPONENTS & CAPACITIES AS SPECIFIED.
 - SIGN CONTRACTOR SHALL FURNISH FOUR SETS OF SHOP DRAWINGS TO WALGREENS FACILITIES PLANNING DEPARTMENT FOR REVIEW AND APPROVAL PRIOR TO FABRICATION.
 - SIGN CONTRACTOR SHALL CONSTRUCT SIGN IN COMPLIANCE WITH ALL APPLICABLE CODES AND ORDINANCES, AND ACCORDING TO UNDERWRITERS LABORATORIES SPECIFICATIONS AND TO BEAR U.L. LABELS. SIGN CONTRACTOR SHALL OBTAIN ALL STATE AND MUNICIPAL PERMITS NECESSARY TO INSTALL SIGN(S).
 - SIGN INSTALLATION AT BUILDING FACE WORK BY SIGN CONTRACTOR:
 - SIGN CONTRACTOR SHALL ESTABLISH CENTER LINE OF SIGN WALL. MEASURE LOCATION OF EACH ELECTRIC LEAD FROM THE CENTER OUTWARD. PROVIDE 1/2" GALVANIZED CONDUIT AND HOUSING THROUGH 1 1/4" GROUND HOLES. LET THREADED CONDUIT PROJECT THROUGH WALL 1 1/2".
 - SIGN CONTRACTOR SHALL PROVIDE A DISCONNECT SWITCH ON EXTERIOR OF SIGN FOR EACH CIRCUIT TO COMPLY WITH STATE AND LOCAL CODES. EACH SIGN SHALL BE ACTIVATED BY APPROVED PHOTO CELL AND TIME SWITCH WITH MANUAL OVERRIDE SWITCH. ELECTRICAL CONTRACTOR TO FURNISH PHOTO CELL, TIME SWITCH, AND MANUAL OVERRIDE SWITCH.



- ALUMINUM PLATE PAINTED TO MATCH BENJAMIN MOORE "DECORATOR'S WHITE".
- FLUORESCENT TUBE HOUSING RECESSED WITHIN WALL.
- ROHM & HAAS #7328 WHITE IMPACT RESISTANT DR ACRYLIC. MORTAR & PESTLE TO BE FORMATTED WITH 3M #3630-53 "CARDINAL RED" SURFACE APPLIED VINYL FILM; INNER SURFACE OF MORTAR AND SCRIPT 'W' TO REMAIN WHITE.
- MORTAR & PESTLE SILHOUETTE TO BE ROUTED FROM ALUMINUM PLATE.

NOTE: MANUFACTURE AND INSTALL ENTRY WAY WALL GRAPHICS FOR ENTRANCE TOWER. BACKGROUND WALL TO BE PAINTED BENJAMIN MOORE "DECORATOR'S WHITE". ALL PER SKETCH TO BE APPROVED BEFORE CONSTRUCTION.

ENTRANCE TOWER DETAIL
NTS



WALL FRAMING BY GENERAL CONTRACTOR

WALL OPENING LAYOUT
NTS

10 ENTRANCE TOWER SIGN DETAILS

NO.	DATE	BY	DESCRIPTION	CONST

REVISIONS

CERTIFICATION AND SEAL

I HEREBY CERTIFY THAT THIS PLAN AND SPECIFICATION WAS PREPARED BY ME OR UNDER MY DIRECT SUPERVISION AND THAT I AM A DULY REGISTERED ARCHITECT OR ENGINEER UNDER THE LAWS OF THE STATE OF MAINE AS SIGNIFIED BY MY HAND AND SEAL.

FISCAL 2007 CRITERIA - STORE #12325

WALGREENS
616 FOREST AVENUE
PORTLAND, MAINE

DRAWING TITLE		
EXTERIOR SIGN ELEVATIONS		
CADD PLOT:	SCALE: AS NOTED	DRAWING NO.
VOID PLOT:	DRAWN BY: TD	A5.2
RELEASED TO CONSTRUCTION	DATE: 12-10-08	
	REVIEWED BY: SAM	