

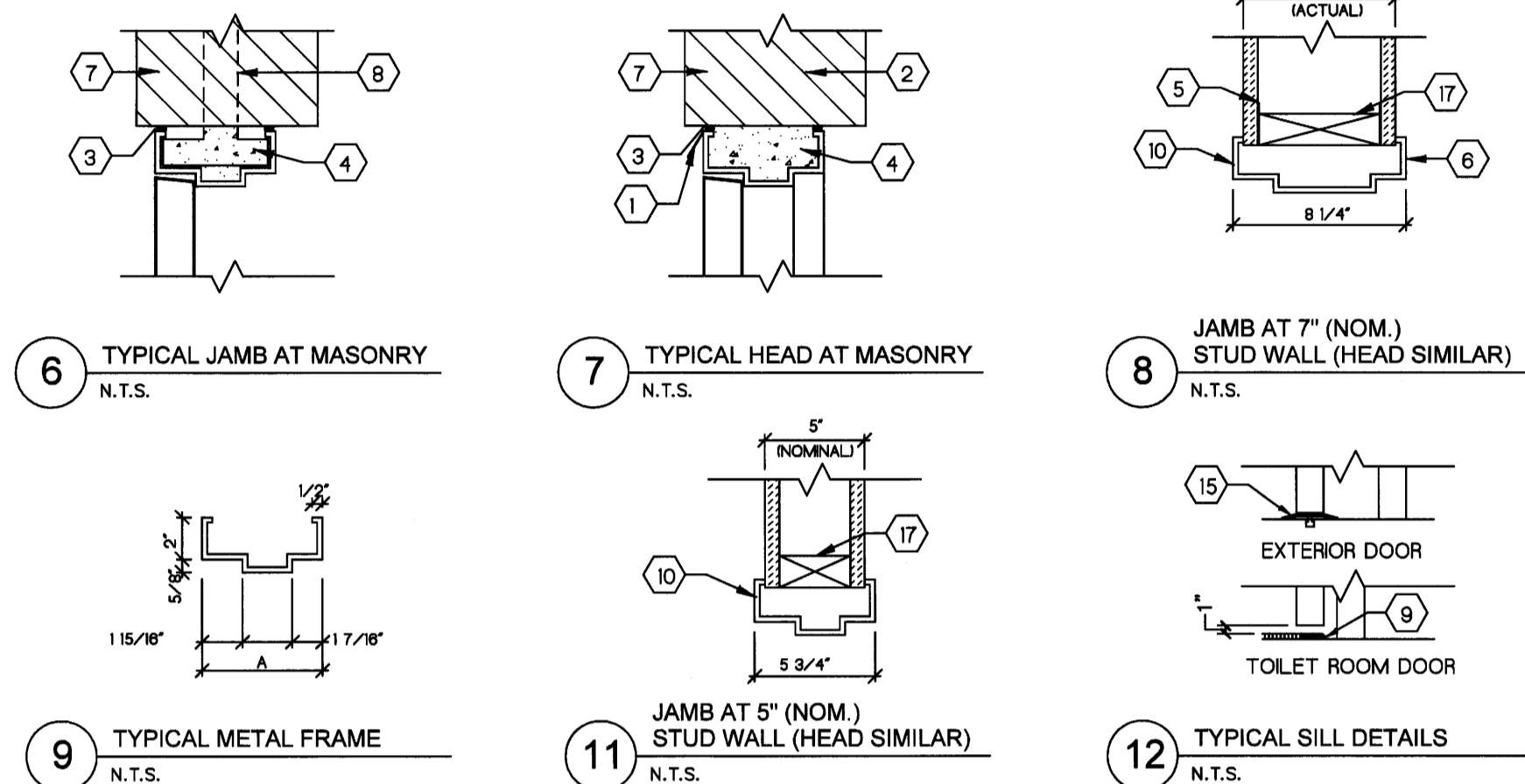
DRAWINGS/SPECIFICATIONS BY:  
 WALGREENS'  
 LANDLORD'S CONSULTANT  
ALL CONSTRUCTION WORK, UNLESS NOTED OTHERWISE, BY:  
 WALGREENS' CONTRACTOR  
 LANDLORD'S CONTRACTOR (TURNKEY CONSTRUCTION)

STORE		BUILDING	
NEW	<input checked="" type="checkbox"/>	NEW	<input checked="" type="checkbox"/>
REMODELING	<input type="checkbox"/>	EXISTING	<input type="checkbox"/>
RELOCATION	<input type="checkbox"/>	RELOCATION	<input type="checkbox"/>
OTHERS	<input type="checkbox"/>	NEW SHELL ONLY	<input type="checkbox"/>

**DOOR DETAILS**

**KEYED NOTES**

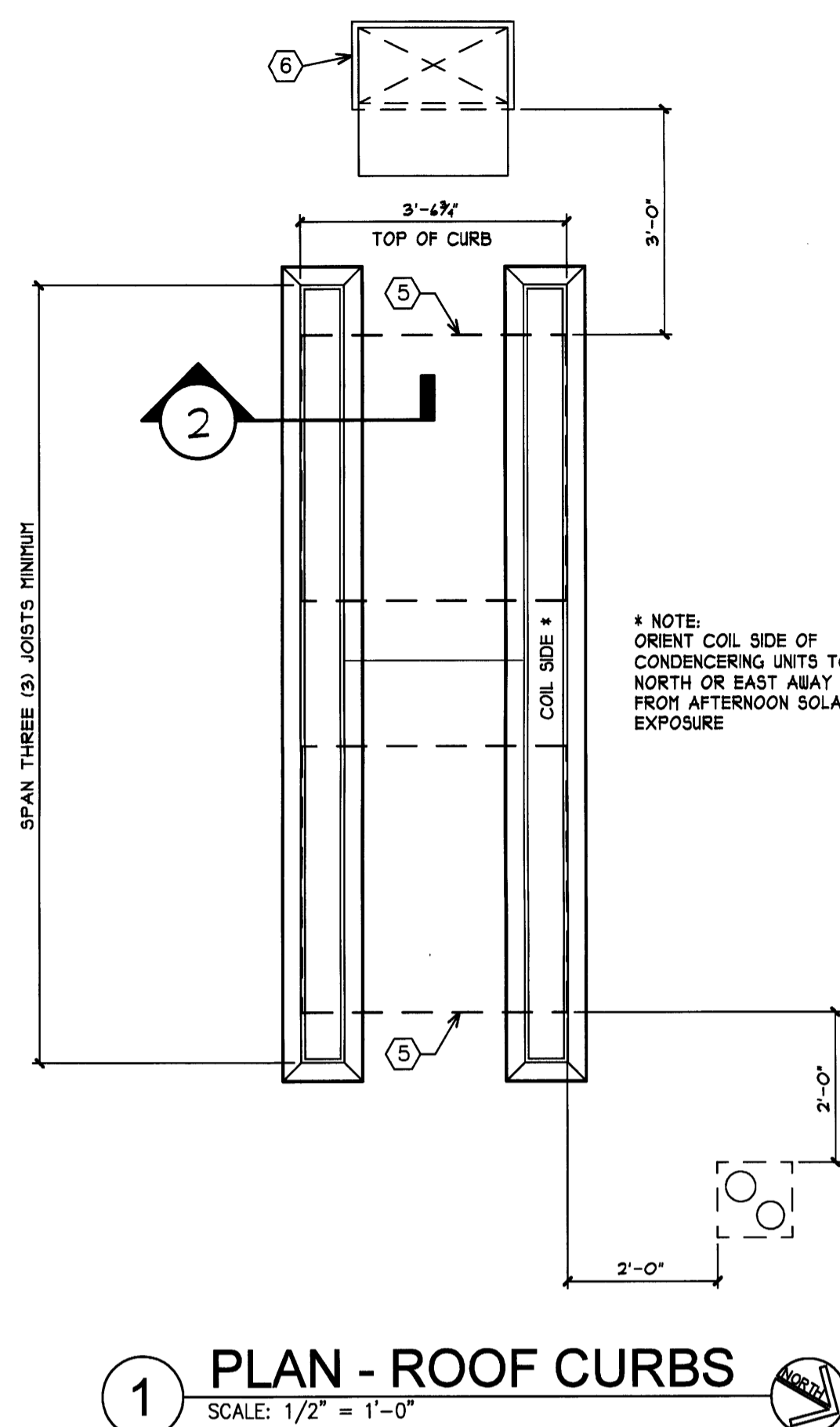
- |   |   |
|---|---|
| 1 STEEL RAIN GUARD, "DORBIN 101A" AT EXTERIOR DOORS                         | 12 AIR CURTAIN UNIT VERTICAL SUPPORT RODS, EACH END, FASTENED TO UNISTRUT.                                    |
| 2 SEE STRUCTURAL DRAWINGS FOR LINTEL DESCRIPTION                            | 13 1/8" BENT STEEL PLATE, FULL HEIGHT, W/ 1/8" X 2" X 8" JAMB STRAPS AT 32" O.C. VERTICALLY. SEAL ALL AROUND. |
| 3 ELASTIC SEALANT. CAULK AT HEAD AND JAMBS. COLOR TO MATCH FRAME (TYPICAL). | 14 JAMB GUIDES. SILL AND WEATHERSTRIP BY DOOR CONTRACTOR.   |
| 4 FILL HEAD AND JAMB WITH MORTAR.   | 15 ALUMINUM THRESHOLD. SEE HARDWARE SCHEDULE, SHEET A4.3, DOOR "J".   |
| 5 CONTINUOUS SHIM BEHIND DRYWALL.   | 16 HOOD FOR COILING DOOR & CHAIN DRIVE.   |
| 6 SALES AREA SIDE OF FRAME TO BE TIGHT AGAINST WALL.                        | 17 VERTICAL WOOD REINFORCING AT JAMB.   |
| 7 WALL MATERIAL. SEE FLOOR PLAN/ELEVATION.                                  | 18 BRUSH TYPE WEATHERSTRIP.   |
| 8 SET ANCHORS PER MANUFACTURER'S SPECIFICATIONS.                            | 19 DOOR BOTTOM BRACKET IN OPEN-DOOR POSITION TO CLEAR AIR CURTAIN UNIT. PROVIDE STOP AT JAMB.                 |
| 9 CERAMIC TILE BULLNOSE TRIM 8" X 5/16" THICK.                              | 20 UNISTRUT SUPPORT FASTENED TO AIR CURTAIN UNIT.   |
| 10 WHERE JAMB MEETS FLOOR, CAULK ALL SIDES.                                 | 21 WALL BRACKETS TO LATERALLY SUPPORT AIR CURTAIN. ALLOW FOR CLEARANCE OF MANUAL PULL CHAIN/                  |
| 11 AIR CURTAIN UNIT; HEAT ELEMENT WHERE APPLICABLE.                         | 22 AIR CURTAIN ELECTRICAL.  |
|   | 23 MANUAL PULL CHAIN GUIDE.   |



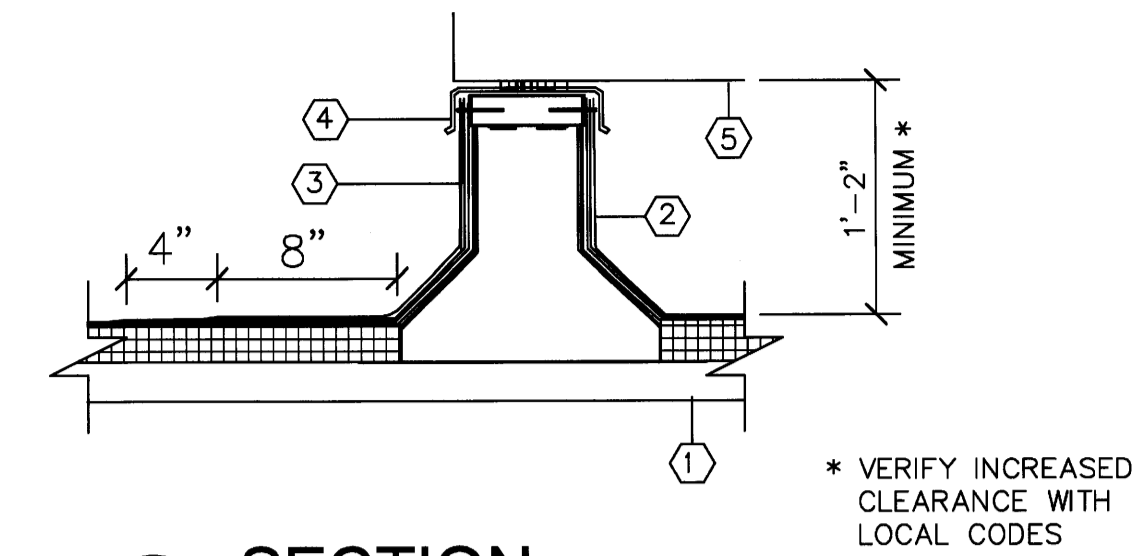
TYPICAL METAL FRAME DIMENSIONS  
NOTE: ALL METAL FRAMES ARE WELDED

A = 4 3/4" AT 4" (NOM.) MASONRY WALL  
A = 5 3/4" AT 6" (NOM.) OR THICKER MASONRY WALL  
A = 5 3/4" AT 5" STUD WALL  
A = 8 1/4" AT 7" STUD WALL (SPECIAL ORDER - ALLOW 6 WEEK DELIVERY)

**ROOF CURB DETAILS FOR WALK-IN COOLER CONDENSER UNIT**



**1 PLAN - ROOF CURBS**  
SCALE: 1/2" = 1'-0"

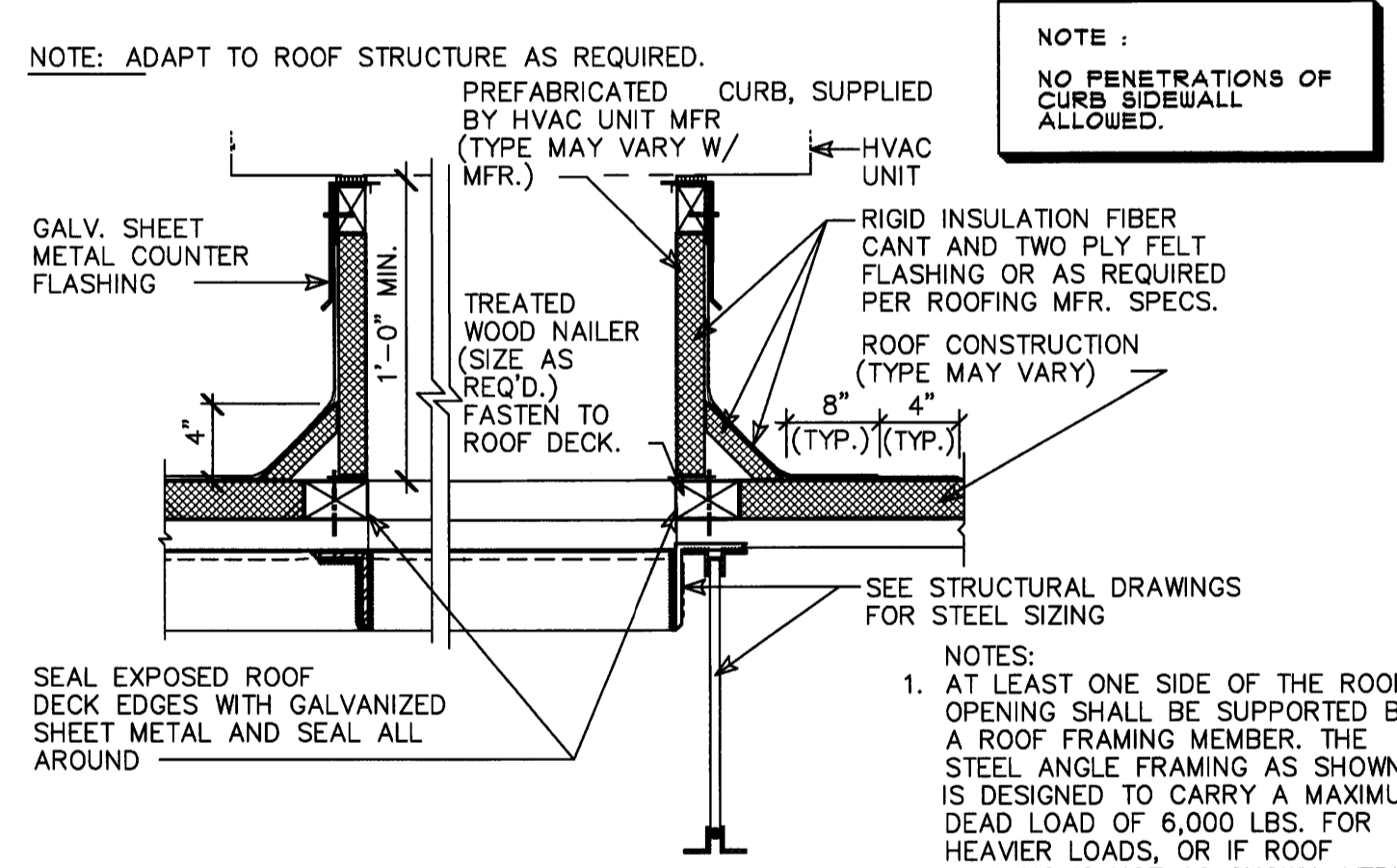


**2 SECTION**  
SCALE: 1 1/2" = 1'-0"

- KEYED NOTES**
- 1 ROOF DECK
  - 2 PREFAB METAL CURB WITH WOOD (2 X 6) NAILER. TOP OF RAIL TO BE LEVEL.
  - 3 2-PLY FELT FLASHING.
  - 4 METAL CAP FLASHING.
  - 5 CONDENSING UNIT. SEE ENGINEERING DRAWINGS.
  - 6 PIPE CHASE (REFRIGERANT LINE PORTAL SHALL BE LOCATED OVER CENTER OF COOLER/FREEZER ON COOLER/FREEZER SIDE OF SALES WALL). SEE 5 / M2.1 AND/OR 3 / A1.4.

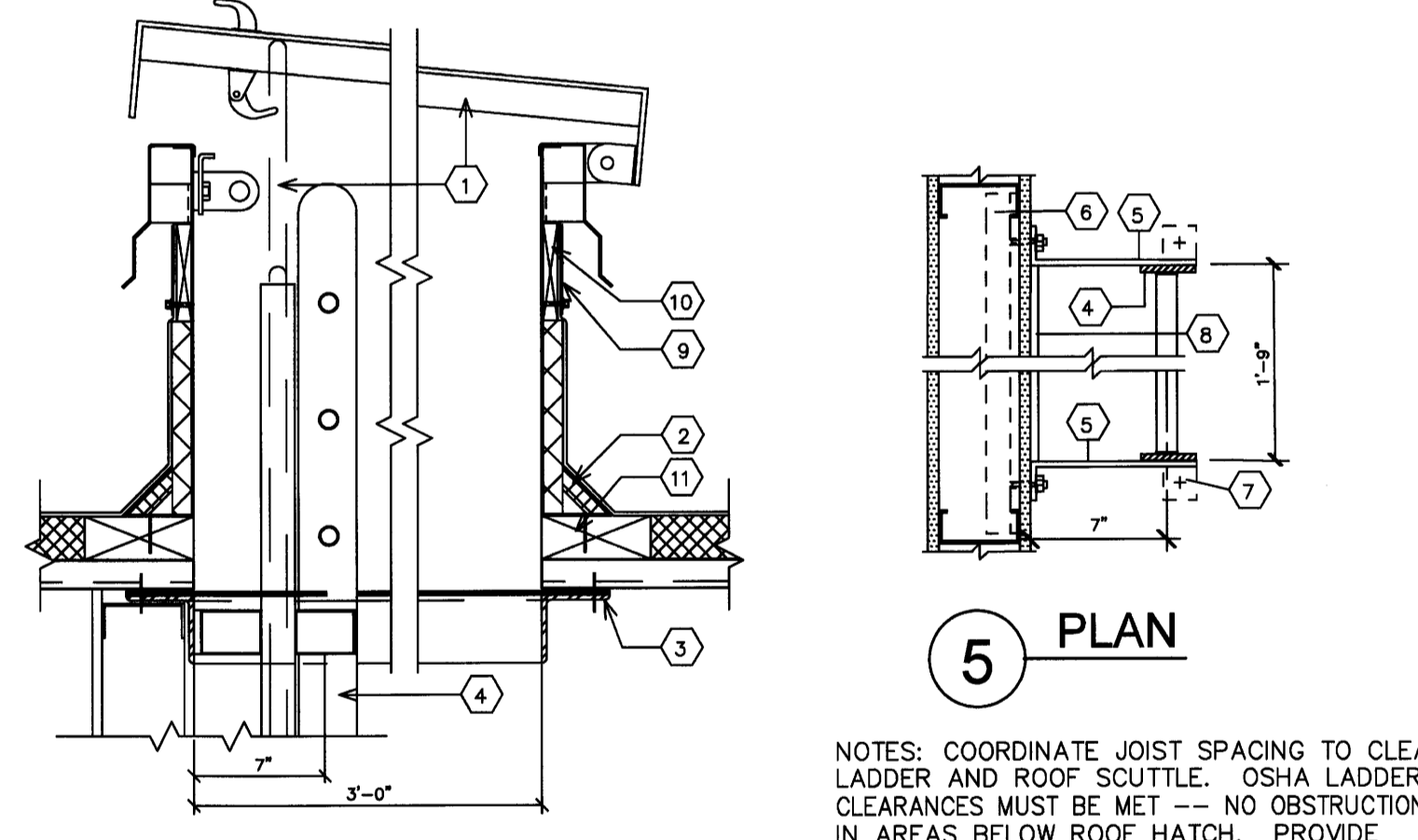
CONDENSING UNIT WEIGHTS	
3 HORSEPOWER	505 LBS
5 HORSEPOWER	520 LBS
7 HORSEPOWER	860 LBS
WG3 (COOLER W/ DOORS)	1225 LBS
WG4 (OPEN FRONT COOLER)	1630 LBS

**ROOF FRAMING AND CURB DETAIL FOR HVAC UNITS.**



**3 SECTION-HVAC ROOF CURB**  
N.T.S.

**LADDER & SCUTTLE DETAIL**



**4 SECTION**

**5 PLAN**

- KEYED NOTES**
- 1 ROOF SCUTTLE - 2'-8" X 3'-0" TYPE "S" WITH "LADDER-UP" SAFETY POST MODEL 2 BY BILCO CO. SECURE SCUTTLE TO ROOF STRUCTURAL STEEL WITH THRU BOLTS ACCORDING TO MANUFACTURER'S DIRECTIONS. HINGE PINS ARE TO BE WELDED NON-REMOVABLE.
  - 2 STANDARD 1" FIBER CANT, BUILT UP ROOFING, AND COUNTER FLASHING (AS REQUIRED).
  - 3 3-1/2" X 3-1/2" X 1/4" ANGLED WELDED FRAME. EXTEND AND SECURE TO BUILDING ROOF STRUCTURE AS REQUIRED.
  - 4 2-1/2" X 3/8" FLAT STEEL BAR SIDE RAILS, AND 1" DIA. STEEL RUNGS PUNCHED INTO RAILS 12" CENTERS AND 1" DIA. WELDED. RINGS ARE TO BE KNURLED OR DIMPLED TREATED TO MINIMIZE SLIPPING AND ARE TO BE FREE OF SHARP EDGES
  - 5 PROVIDE 2-1/2" X 3/8" THICK FLAT BENT STEEL BRACKETS AT MAX. 4'-0" CENTERS. WELD TO SIDE RAILS WELD TOP TO STEEL ANGLE FRAME.
  - 6 AT METAL STUD WALL, PROVIDE 1-1/2" C.R. STEEL REINFORCING CHANNELS WITH WELDED 3/8" THRU BOLTS TO RECEIVE BRACKETS. CUT STUD FLANGES TO RECEIVE REINFORCING CHANNEL. AT MASONRY, FASTEN BRACKETS WITH 3/8" X 2-3/4" WEDGE "RED HEAD" OR "MOLLY" ANCHOR BOLTS.
  - 7 PROVIDE 2-1/2" X 2-1/2" X 3/16" WELDED CLIP ANGLES SECURED TO CONCRETE FLOOR WITH 1/2" X 2-3/4" WEDGE "RED HEAD" OR "MOLLY" ANCHOR BOLTS.
  - 8 FRP WALL PANELS, FLOOR TO ROOF.
  - 9 GASKETED FASTENER.
  - 10 1"X ROUGH PINE NAILER TREATED WITH CUPRINOL.
  - 11 WOOD NAILER FASTENED TO ROOF DECK; THICKNESS TO MATCH TOP OF ROOF DECK INSULATION.

NO.	DATE	BY	DESCRIPTION	CONST

**REVISIONS**

**CERTIFICATION AND SEAL**

I HEREBY CERTIFY THAT THIS PLAN AND SPECIFICATION WAS PREPARED BY ME OR UNDER MY DIRECT SUPERVISION AND THAT I AM A DULY REGISTERED ARCHITECT OR ENGINEER UNDER THE LAWS OF THE STATE OF MAINE AS SIGNIFIED BY MY HAND AND SEAL.

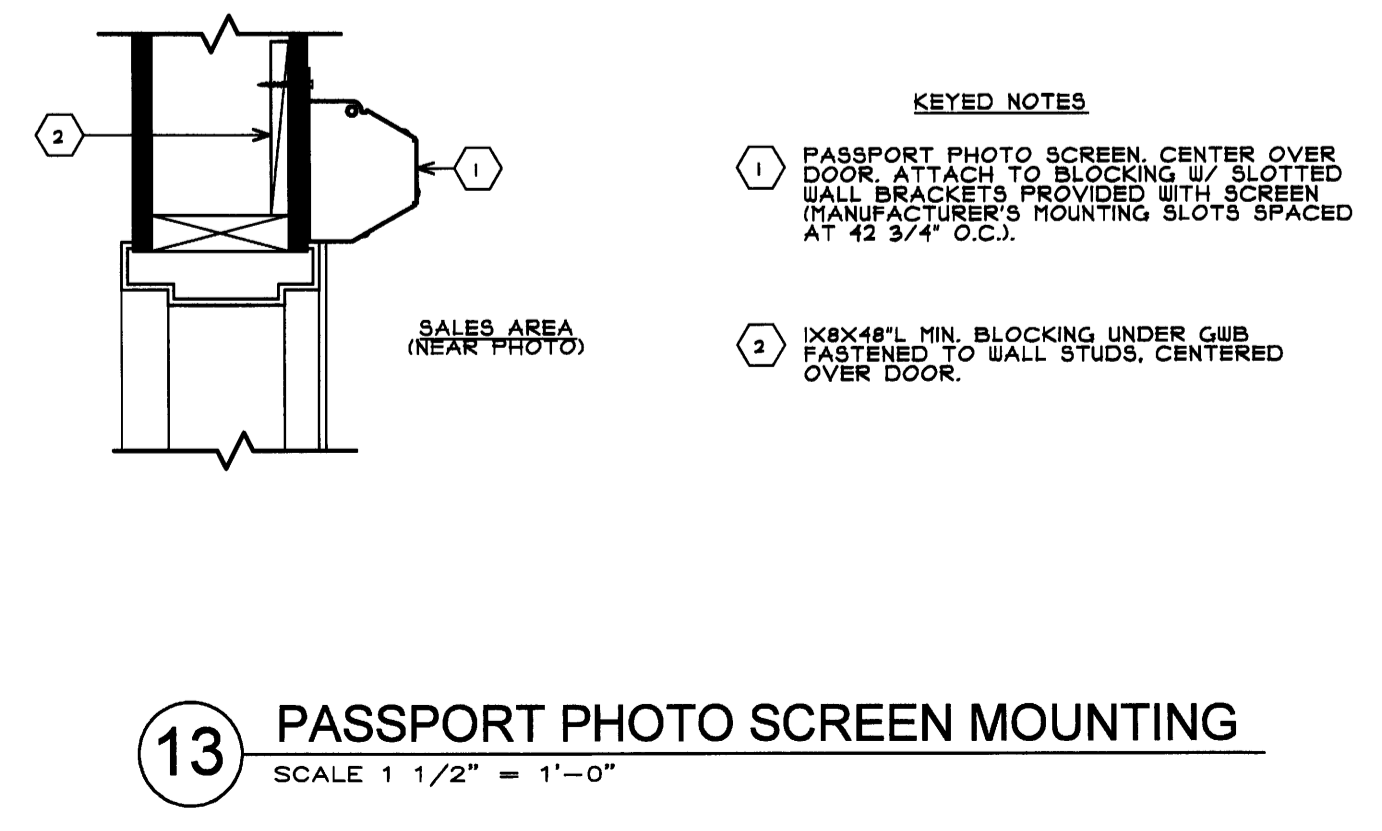
**FISCAL 2007 CRITERIA - STORE #12325**

WALGREENS  
616 FOREST AVENUE  
PORTLAND, MAINE

**DRAWING TITLE**  
**ROOF CURB DETAILS**

CADD PLOT:	SCALE: AS NOTED	DRAWING NO.
VOID PLOT:	DRAWN BY: RJV	<b>A4.5</b>
RELEASED TO CONSTRUCTION	DATE: 12-10-08	REVIEWED BY: SAM

**PASSPORT PHOTO SCREEN**



**13 PASSPORT PHOTO SCREEN MOUNTING**  
SCALE 1 1/2" = 1'-0"

**12 ROLLING STEEL DOOR DETAILS**  
SCALE 1 1/2" = 1'-0"