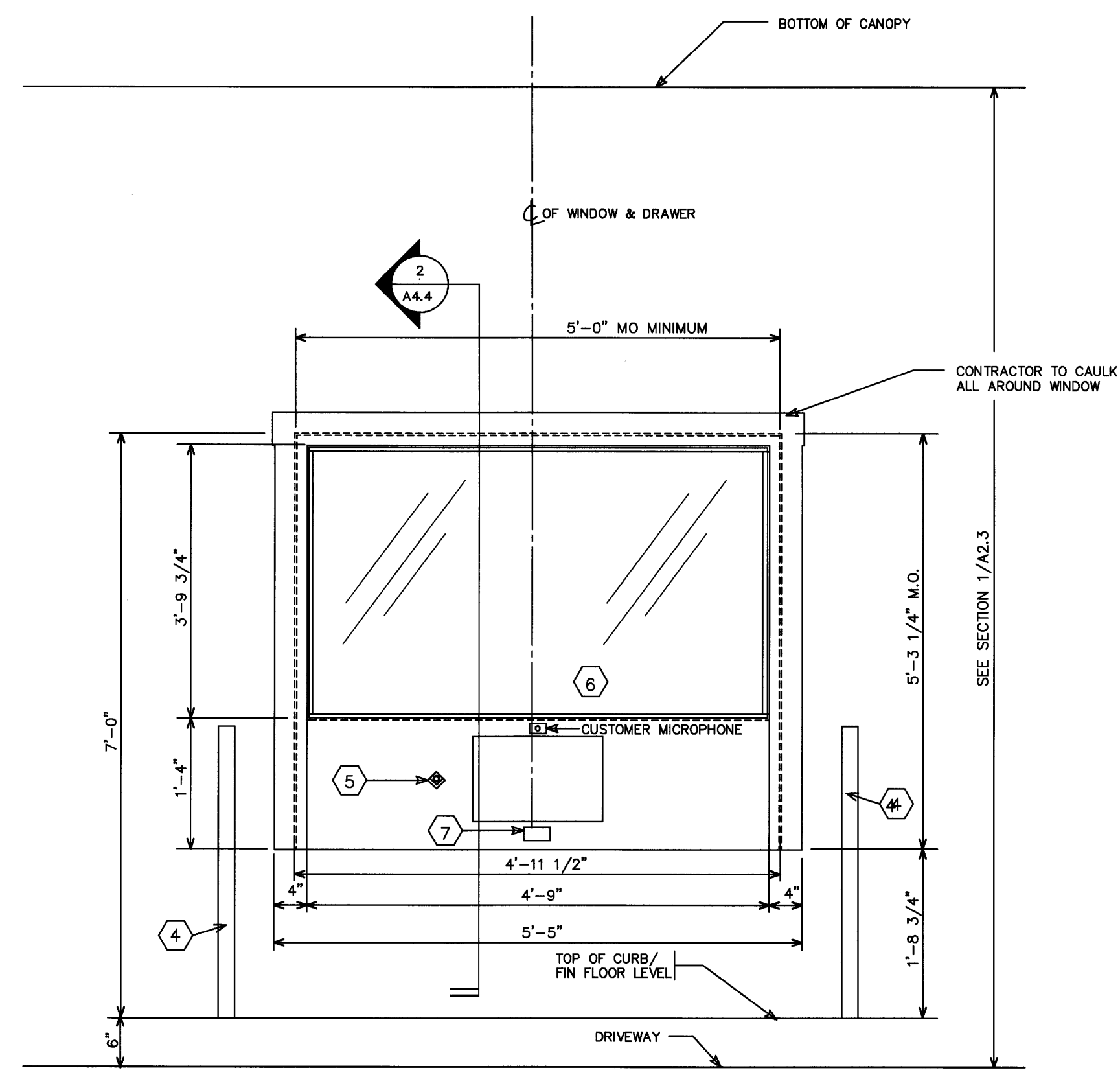


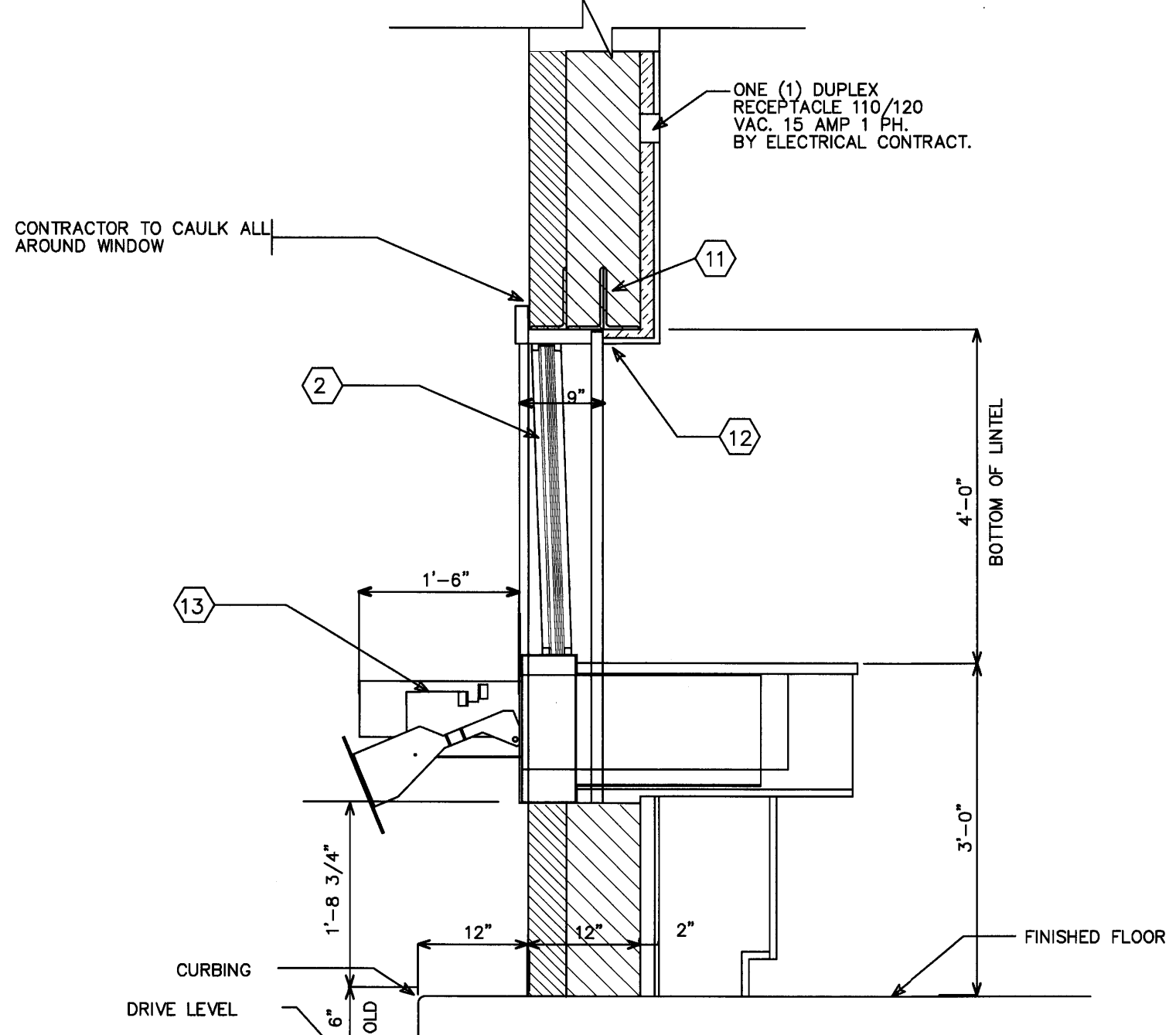
DRAWINGS/SPECIFICATIONS BY:  
 WALGREENS'  
 LANDLORD'S CONSULTANT

ALL CONSTRUCTION WORK, UNLESS NOTED OTHERWISE, BY:  
 WALGREENS' CONTRACTOR  
 LANDLORD'S CONTRACTOR (TURNKEY CONSTRUCTION)

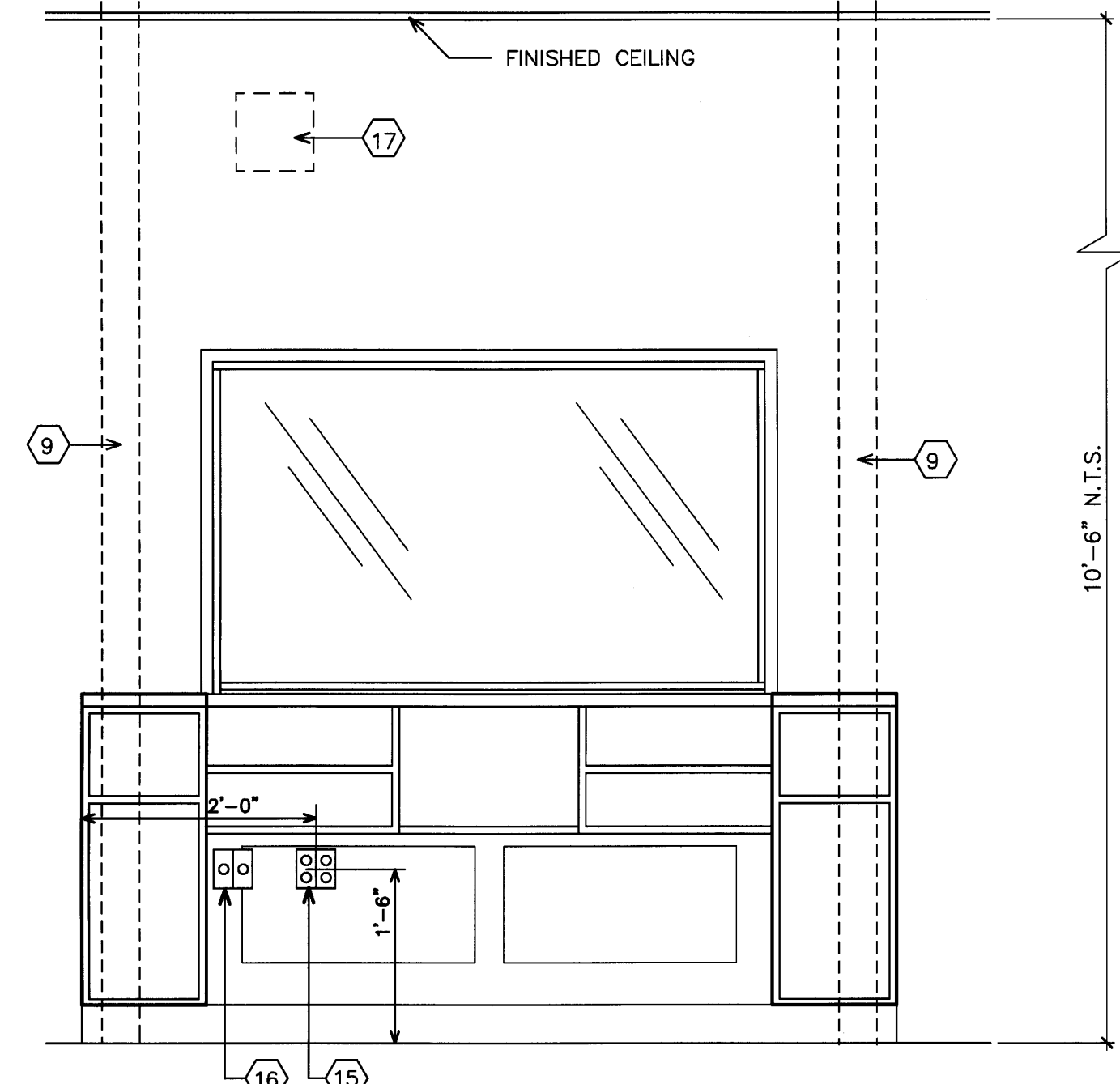
STORE	BUILDING
NEW <input checked="" type="checkbox"/>	NEW <input checked="" type="checkbox"/>
REMODELING <input type="checkbox"/>	EXISTING <input type="checkbox"/>
RELOCATION <input type="checkbox"/>	NEW SHELL ONLY <input type="checkbox"/>
OTHERS <input type="checkbox"/>	



**1**  
A4.4  
**EXTERIOR ELEVATION**  
SCALE 3/4"=1'-0"



**2**  
A4.4  
**SECTION**  
SCALE 3/4"=4'-0"



**3**  
A4.4  
**INTERIOR ELEVATION**  
SCALE 3/4"=1'-0"

**KEYED NOTES**

- 1 #5 REBAR.
- 2 INSULATED B.R. GLASS & INSULATION 1 3/4" X 4" ALUM. FRAME
- 3 TRIM FRAME. CAULK CONTINUOUS
- 4 (2) 36" H SURFACE MOUNTED FLEXIBLE DELINEATOR POST BY "FLEXSTAKE", FASTEN TO CONCRETE WITH BOLTS (NO ADHESIVE FASTENING).
- 5 CALL BUTTON
- 6 CUSTOMER MICROPHONE
- 7 CUSTOMER SPEAKER
- 8 FINISHED WALL BY GC
- 9 PROVIDE 4" VOID IN WALL FROM ABOVE CEILING TO BELOW COUNTER FOR WIRE CHASE. STOP CORNER FURRING BELOW COUNTER FOR ACCESS TO KNEE SPACE. COORD. WITH ELEC. DRAWINGS.
- 10 OUTLINE OF DRAWER EXTENSION (18")
- 11 LINTEL (AS REQUIRED) BY GENERAL CONTRACTOR. COORDINATE WITH STRUCTURAL DRAWINGS.
- 12 DRYWALL RETURN TO WINDOW FRAME BY GC.
- 13 TRANSACTION DRAWER IS PART OF E.F. BAVIS WINDOW.
- 14 PLASTIC LAMINATED COUNTER.
- 15 TWO (2) DUPLEX RECEPTILES WITH 110V, 1 PH, 20 AMP OCT. BEHIND KNEE WALL BY ELECTRICAL CONTRACTOR.
- 16 TWO CAT 5 CABLES TERMINATED W/ RJ45 JACKS RUNNING BACK TO TELEPHONE SYSTEM.
- 17 DRIVE-ALERT CHIME LOCATION.
- 18 DRIVE-UP SENSOR ENCLOSED IN 2 1/2" DIA. PVC, 14" LONG, W/ CAP.
- 19 RECESSED WEATHERPROOF JUNCTION BOX (FOR FUTURE INTERCOM GREETING STATION) W/ CONDUIT TO BELOW WINDOW, BY ELECTRICAL CONTRACTOR.

**GENERAL NOTES:**

**GENERAL CONTRACTOR:**  
 SHALL PROVIDE WINDOW COUNTER AND TRANSTRAY AS MANUFACTURED BY E.F. BAVIS AND ASSOC. ALSO, G.C. SHALL PROVIDE WALL OPENINGS, MODULAR ALL-IN-ONE WINDOW UNIT BY E.F. BAVIS AND ASSOCIATES, INC., LINTELS AS REQUIRED AND SPECIFIED BY THE ARCHITECT. INSTALL THE WINDOW AS SPECIFIED AND FINISH UP TO THE WINDOW AND COUNTERTOP UNITS. CONTRACTOR SHALL ENSURE WALL OPENINGS ARE PLUMB AND SQUARE. OPENING SHALL BE OF A MINIMUM DIMENSION OF 5'-0" WIDE BY 4'-3 1/4" HIGH WITH A TOLERANCE OF NO MORE THAN 1/2" LARGER IN EITHER DIMENSION OF HEIGHT OR WIDTH.

**ELECTRICAL CONTRACTOR:**  
 SHALL PROVIDE ALL BOXES, OUTLETS, WIRING, AND DRIVE-THRU ALARM & SENSOR AS NOTED. BREAKERS CONTROLLING EQUIPMENT SHALL BE MARKED WITH THE NAME OF THE EQUIPMENT CONTROLLED BY THAT BREAKER IN THE BREAKER BOX. VERIFY COMPUTER AND ADDITIONAL REQUIREMENTS BY WALGREENS.

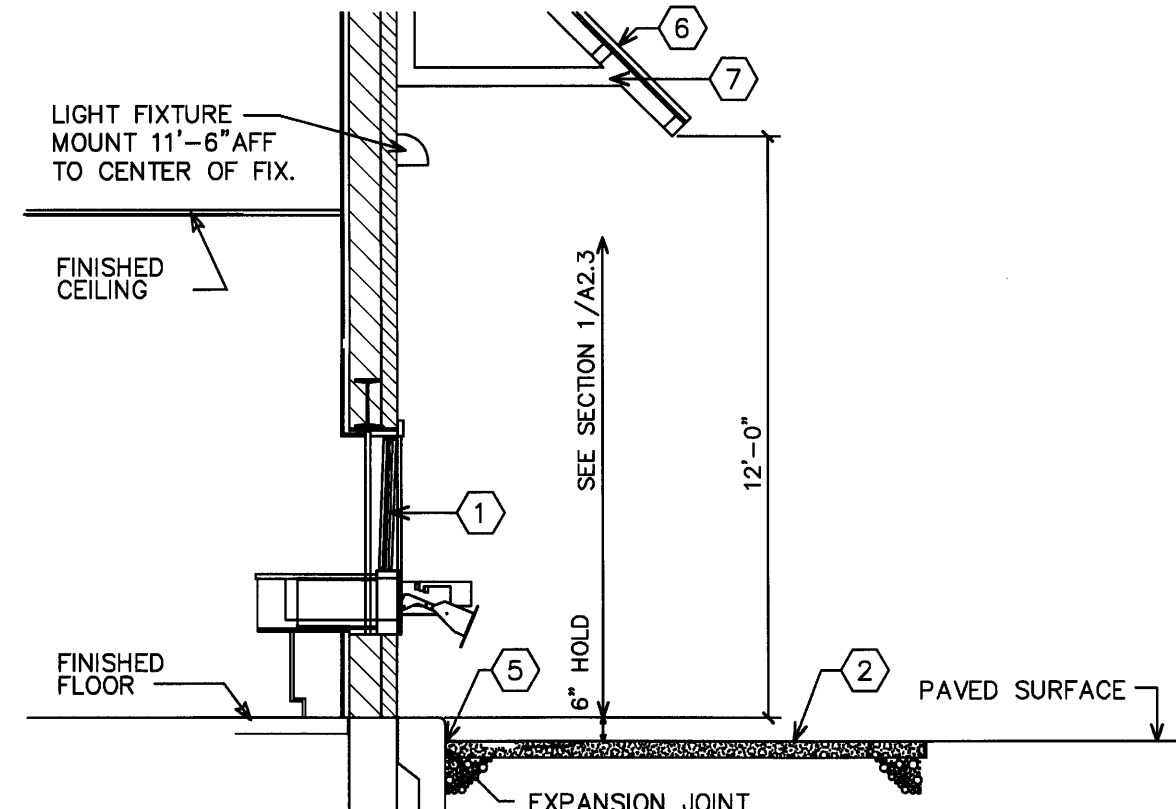
**SPECIFICATIONS:**  
 GLASS: 1 5/8" INSULATED, BULLET RESISTANT GLASS. ALL BULLET RESISTANT GLASS MUST HAVE THIRD PARTY CERTIFICATION TO EITHER THE CURRENT NIJ LEVEL II-A OR UL 752 LEVEL I STANDARD.  
 FRAME: MODULAR WINDOW SYSTEM BY E.F. BAVIS AND ASSOCIATES, INC. FINISH CONSISTING OF UV STABLE POWDER COAT TO BE COORDINATED TO MATCH STORE FRONT COLOR CONTRACTOR TO VERIFY BEFORE ORDERING PHARMACY WINDOW AND DRAWER SYSTEM.  
 NOTE: FOR DARK BRONZE ANODIZED STOREFRONTS, ORDER POWDER COAT #39-BRONZE;  
 FOR CLEAR ANODIZED STOREFRONTS, ORDER POWDER COAT ASA 70 GRAY.

PLASTIC LAMINATE: "MATTE BLACK" BY WILSONART FOR COUNTERTOP, TOP, SIDE, BACK PANELS AND REMOVABLE KNEE WALL.

AUDIO: AUDIO SYSTEM TO BE BY E.F. BAVIS AND ASSOCIATES, INC. BAVCOM BRAND TWO ON TWO VERSION. INTERCOM ASSEMBLY LOCATED ON COUNTERTOP. REMOTE INTERCOM LOCATED AT PHARMACIST STATION. SEE ELECTRICAL DRAWINGS.

NOTE: COORDINATE EQUIPMENT INSTALLATION WITH E.F. BAVIS AND ASSOC., INC., MS. MARGIE STACY AT 513-677-0500. ALLOW 60 DAY LEAD TIME REQUIRED FOR DELIVERY.

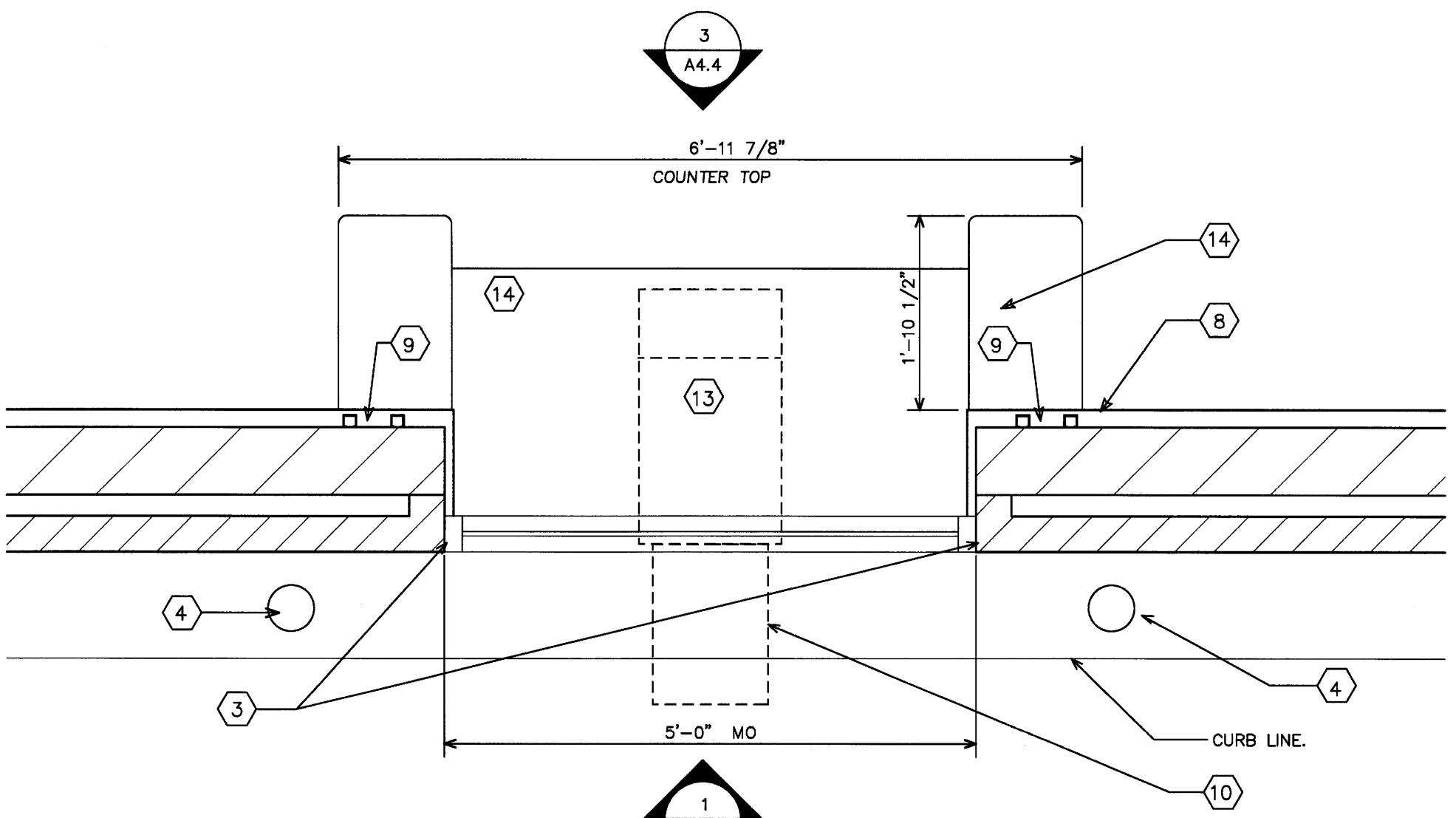
**TYPICAL DRIVE-UP PHARMACY DETAILS**



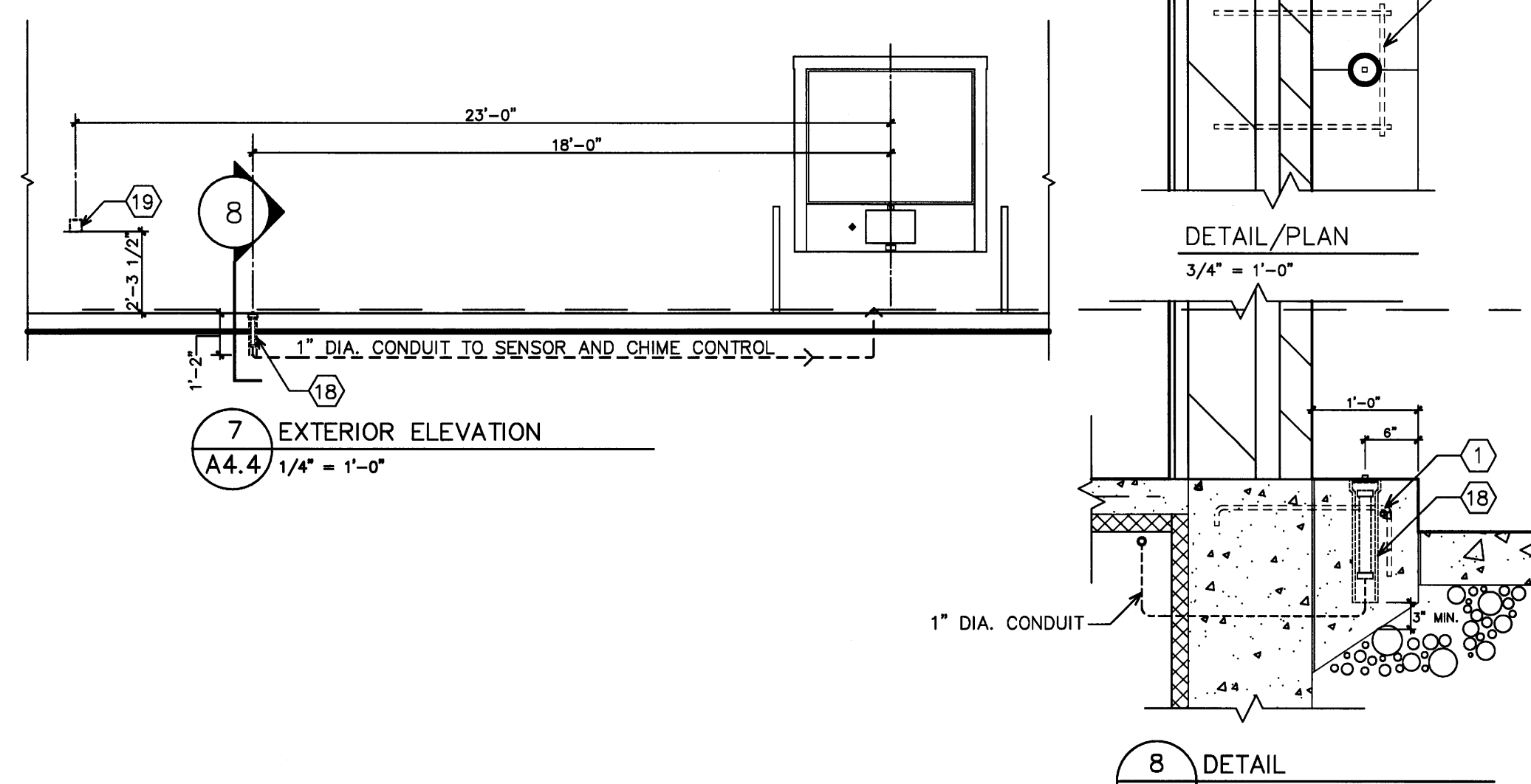
**4**  
A4.4  
**SECTION AT DRIVE-UP PHARMACY**  
SCALE 1/4"=1'-0"

**DRIVE-UP PHARMACY KEYED NOTES**

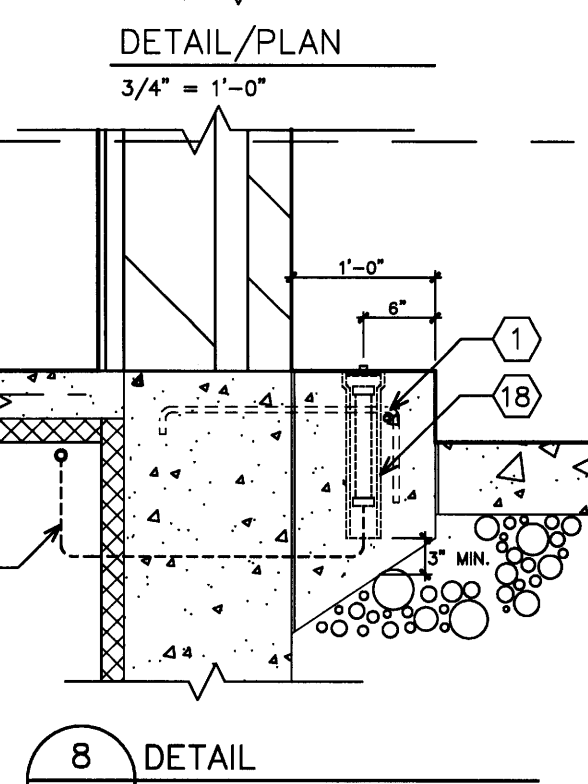
- 1 OUTLINE OF DRIVE-UP WINDOW.
- 2 6" CONCRETE PAVING. PROVIDE EXPANSION AND CONTROL JOINTS.
- 3 36"H FLEXIBLE DELINEATOR POST. FASTEN TO CONCRETE WITH BOLTS (NO ADHESIVE FASTENING).
- 4 YELLOW PAINT STRIPING.
- 5 EXPANSION JOINT.
- 6 PREFINISHED STANDING SEAM METAL ROOF.
- 7 TUBE STEEL END BRACKETS AND CROSSING PURLINS FOR ROOF STRUCTURE (ONE EACH END).
- 8 14" X 2 1/2" DIA. PVC SLEEVE W/ SEALED COVER SET VERTICALLY IN CURB FOR DRIVE-UP SENSOR. SEE ELECTRICAL DRAWINGS. DRIVE-THRU SENSOR FURNISHED AND INSTALLED BY ELECTRICAL CONTRACTOR.
- 9 TOOLED CONTROL JOINT.
- 10 RECESS MOUNTED WEATHERPROOF JUNCTION BOX (FOR FUTURE INTERCOM GREETING STATION) W/ CONDUIT TO BELOW WINDOW, PROVIDED BY ELECTRICAL CONTRACTOR.



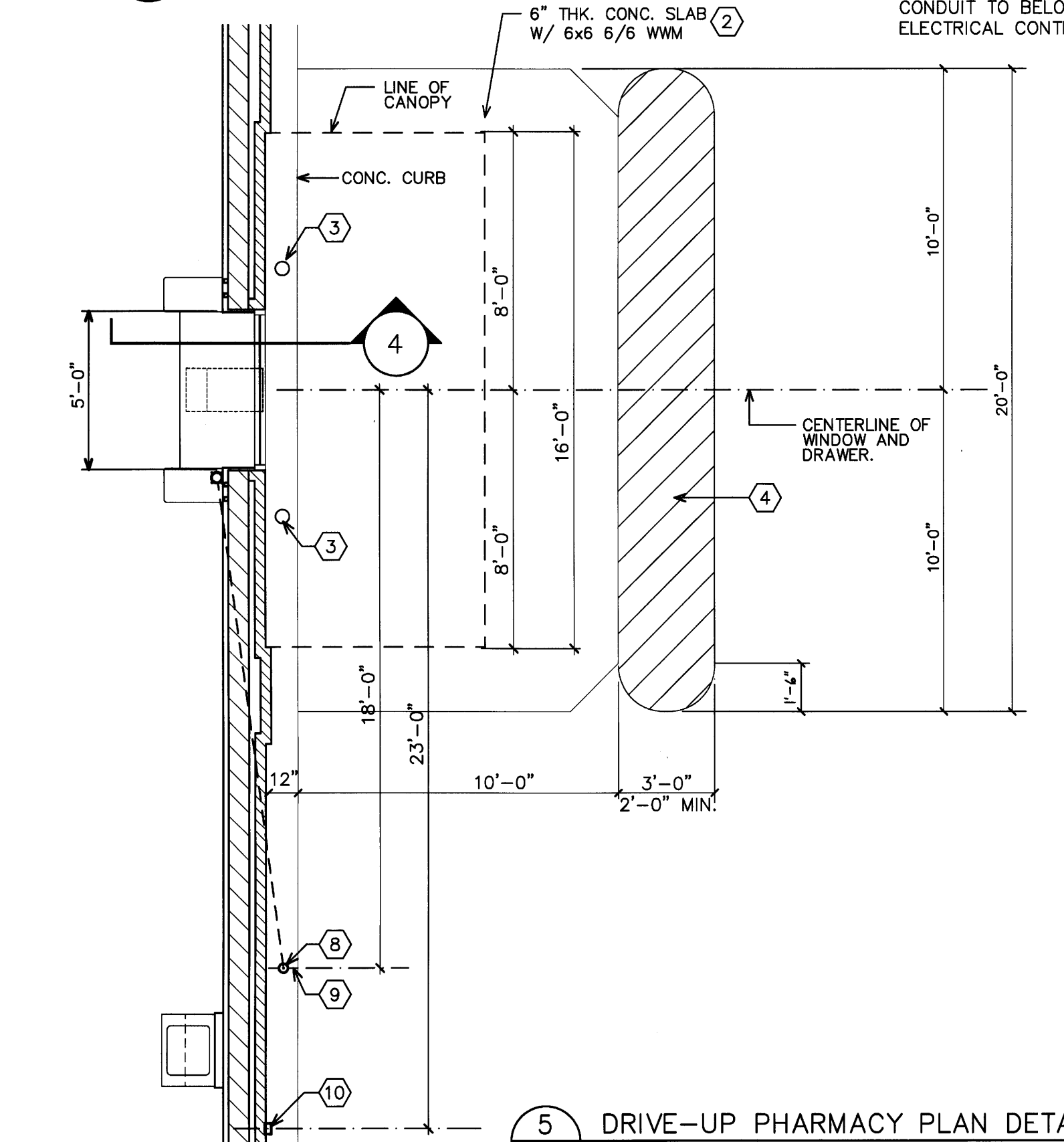
**6**  
A4.4  
**PARTIAL PLAN AT DRIVE-THRU WINDOW**  
SCALE 3/4"=1'-0"



**7**  
A4.4  
**EXTERIOR ELEVATION**  
SCALE 1/4"=1'-0"



**8**  
A4.4  
**DETAIL**  
SCALE 3/4"=1'-0"



**5**  
A4.4  
**DRIVE-UP PHARMACY PLAN DETAIL**  
SCALE 1/4"=1'-0"

NO.	DATE	BY	DESCRIPTION	CONST
REVISIONS				

**CERTIFICATION AND SEAL**

I HEREBY CERTIFY THAT THIS PLAN AND SPECIFICATION WAS PREPARED BY ME OR UNDER MY DIRECT SUPERVISION AND THAT I AM A DULY REGISTERED ARCHITECT OR ENGINEER UNDER THE LAWS OF THE STATE OF MAINE AS SIGNIFIED BY MY HAND AND SEAL.

**FISCAL 2007 CRITERIA - STORE #12325**

WALGREENS  
616 FOREST AVENUE  
PORTLAND, MAINE

**DRAWING TITLE**

**E.F. BAVIS DRIVE-THRU SERVICE WINDOW DETAILS**

CADD PLOT:	SCALE: AS NOTED	DRAWING NO.
VOID PLOT:	DRAWN BY: RJV	<b>A4.4</b>
RELEASED TO CONSTRUCTION	DATE: 12-10-08	
	REVIEWED BY: SAM	