

AUTOMATIC SLIDING DOOR ENTRANCE DETAIL

KEYED NOTES

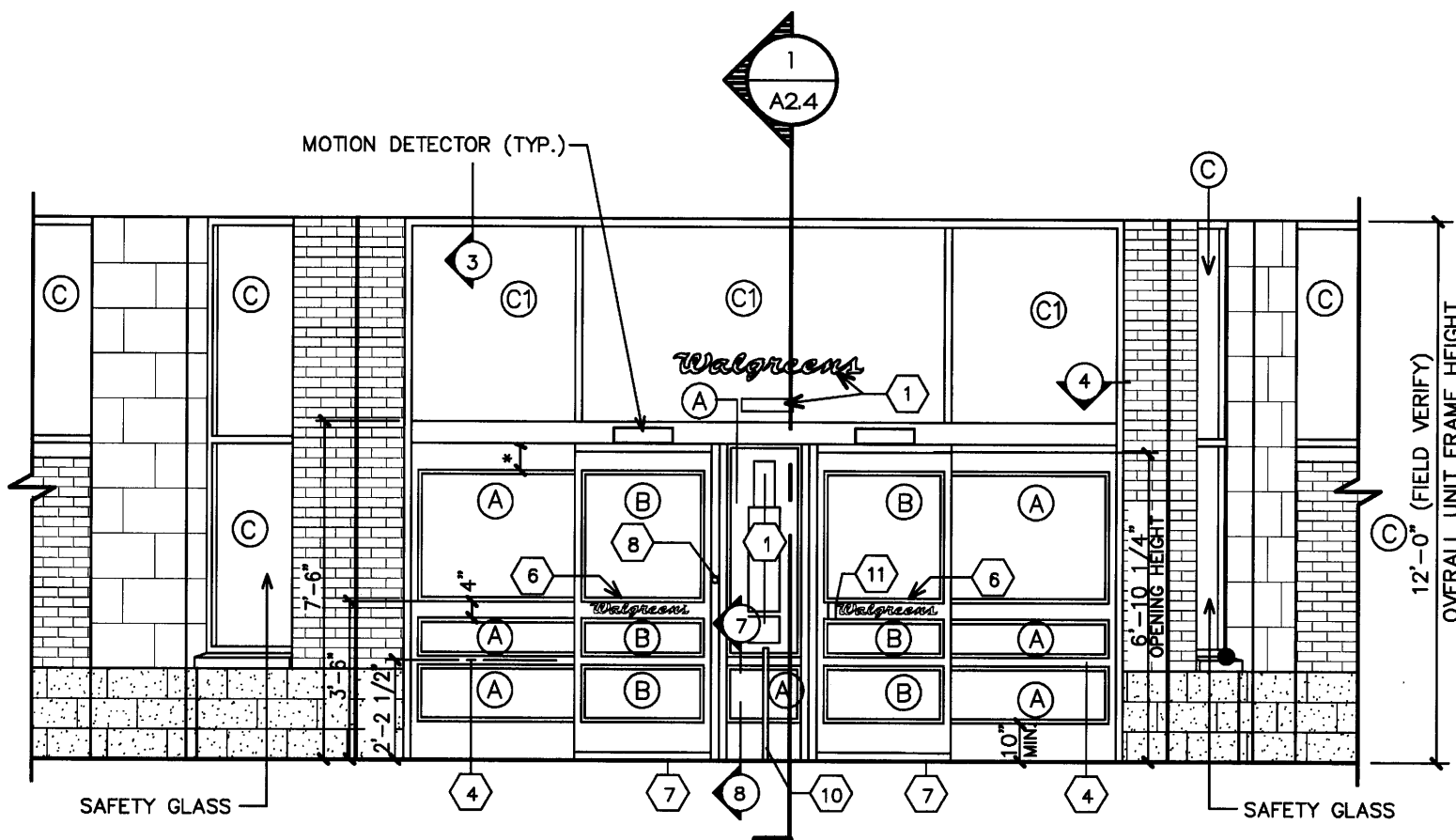
- 1) WALGREENS 50"W. X 5"H. RED TRANSOM DECAL SIGN, STORE ADDRESS DECAL, AND STORE HOURS SIGN BY WALGREENS.
- 2) N/A
- 3) N/A
- 4) 1 3/4" FLUSH CART BARS.
- 5) N/A
- 6) "IN EMERGENCY PUSH TO OPEN" DECAL (INSTALL ON MUNTIN BAR, STORE SIDE ONLY).
- 7) ALUMINUM THRESHOLD, (EXTEND FULL LENGTH OF OPENING), 1/4" X 4" WIDE X CONTINUOUS RIBBED W/ BEVELED EDGES ACROSS MASONRY OPENING.
- 8) KEYED ENTRY SWITCH 4"-0" A.F.F. KEY SWITCH TO BE KEYPED ALIKE TO THE ADAMS RITE DOOR HOOK LATCH.
- 9) SEE GENERAL FLOOR PLAN FOR THIS CONSTRUCTION. SEE SHEET D-1.
- 10) STAINLESS STEEL GUIDE RAIL 30"H. X 36"L. (CORE DRILLED).
- 11) RECESSED PULL HANDLE IN MUNTIN BAR, (ENTRY DOOR ONLY).
- 12) BASE SET IN SEALANT TAPCON 1/4" X 1-3/4" @ 12" O.C.
- 13) ANCHORS 18" O.C. 6" FROM ENDS - TYP.(USE #4 POWDER DRIVEN @ STEEL, 1/4" MS @ WOOD, 1/4" TAPCON @ CONCRETE).
- 14) NOT USED.
- 15) NOT USED.
- 16) NOT USED.
- 17) TYPICAL 1/4" BLOCKING BACKER ROD AND MATCHING SEALANT COLOR.

NOTE: COORDINATE FRAMES OF AUTOMATIC DOORS, WINDOW STOREFRONT, AND DRIVE-THRU WINDOW FINISHES TO MATCH.
 □ DARK BRONZE ■ CLEAR ANODIZED □ OTHER

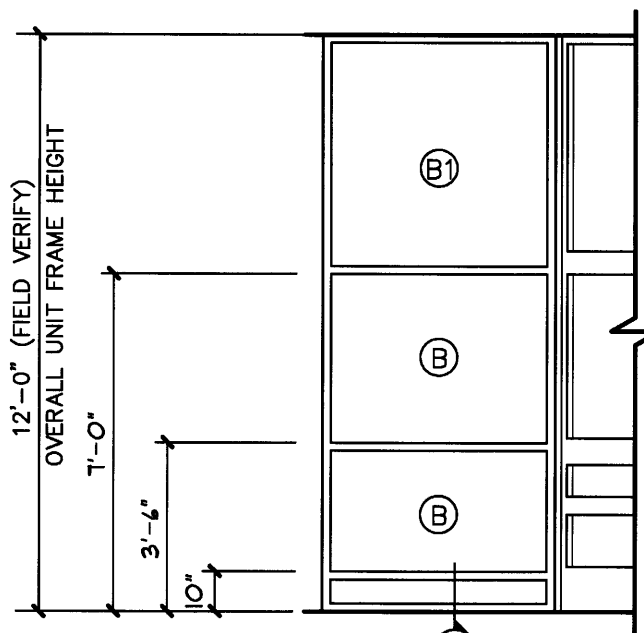
KEYED GLAZING NOTES

- A) CLEAR LOW-E INSULATED GLASS (LAMINATED SAFETY GLASS.)
- B) 1/4" CLEAR LAMINATED SAFETY GLASS.
- C) 1/4" CLEAR GLASS.
- D) TINTED LOW-E INSULATED GLASS.
- E) CLEAR LOW-E INSULATED GLASS.
- F) TOWER GLASS ABOVE TO BE 1/4" CLEAR.

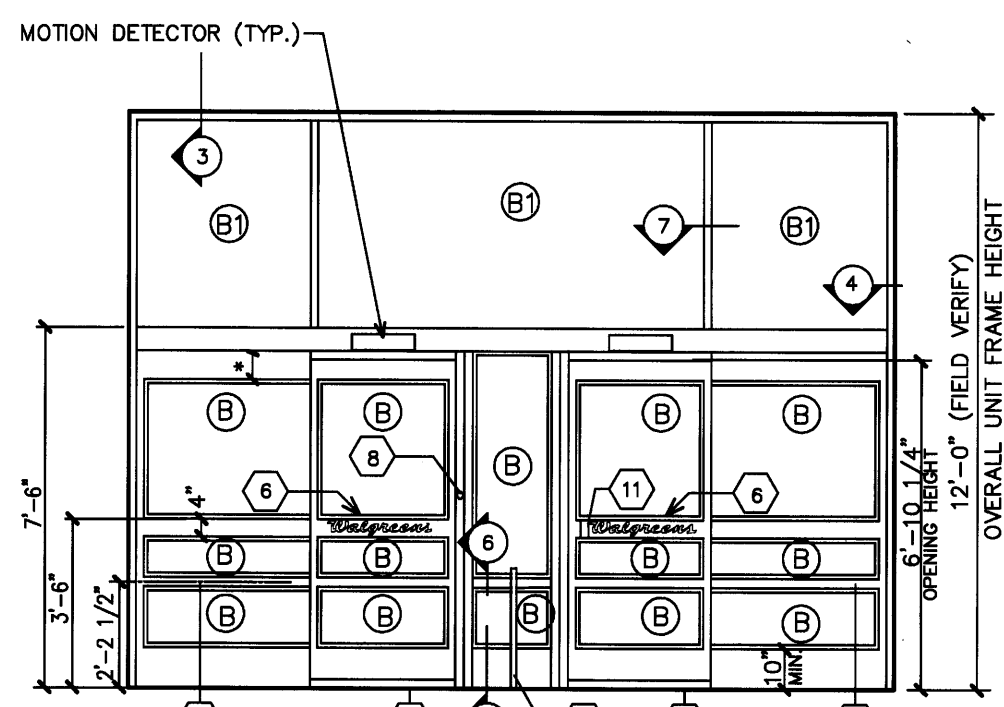
1" INSULATED GLASS = 1/4" GLASS + 1/2" AIR + 1/4" GLASS
 * SEE MANUFACTURER'S SHOP DRAWINGS (DIMENSIONS MAY VARY).



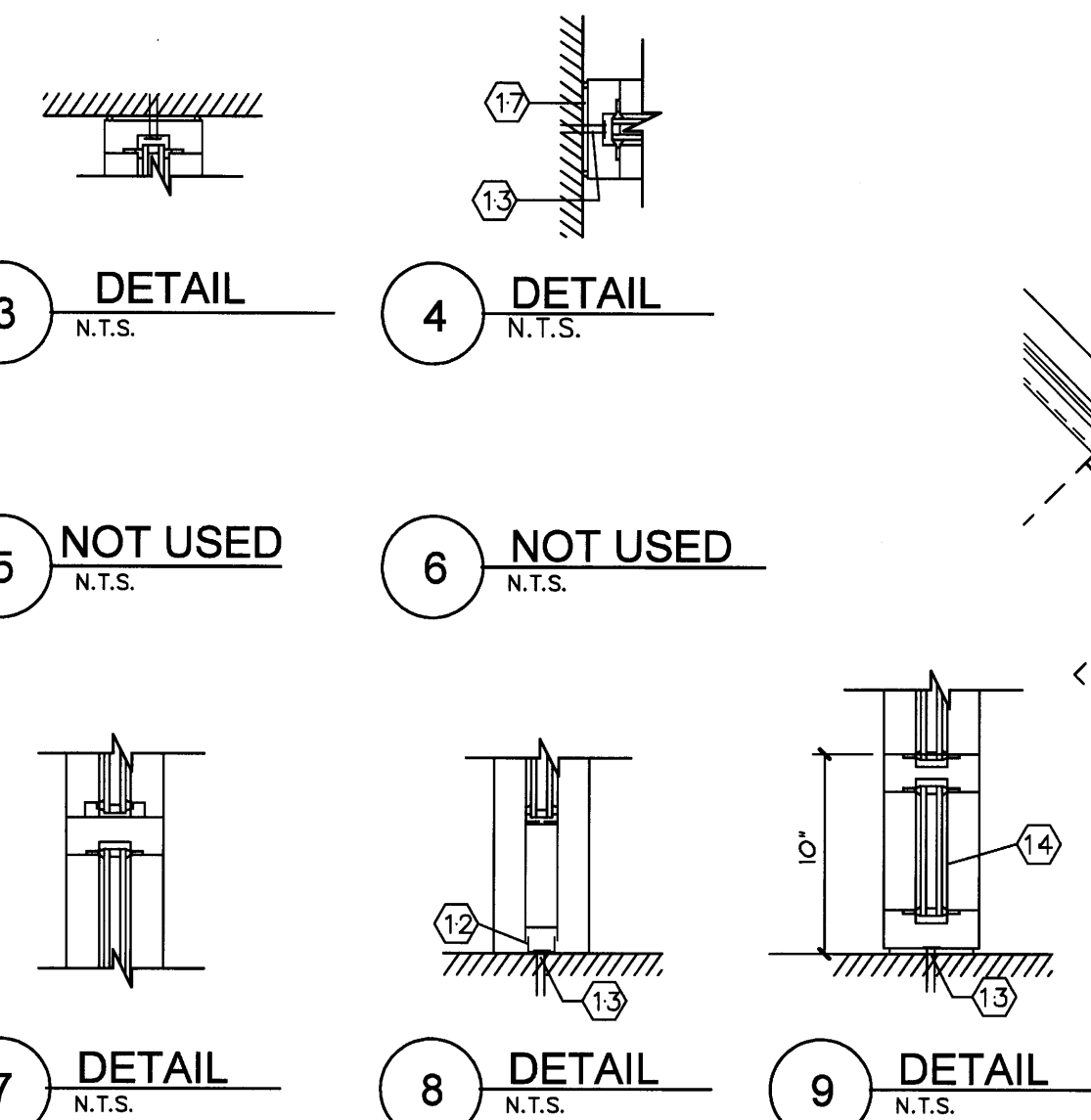
1A ELEVATION -- VESTIBULE EXTERIOR
1/4"=1'-0"



1C INTERIOR VESTIBULE (OPPOSITE SIDE SIMILAR)
1/4"=1'-0"

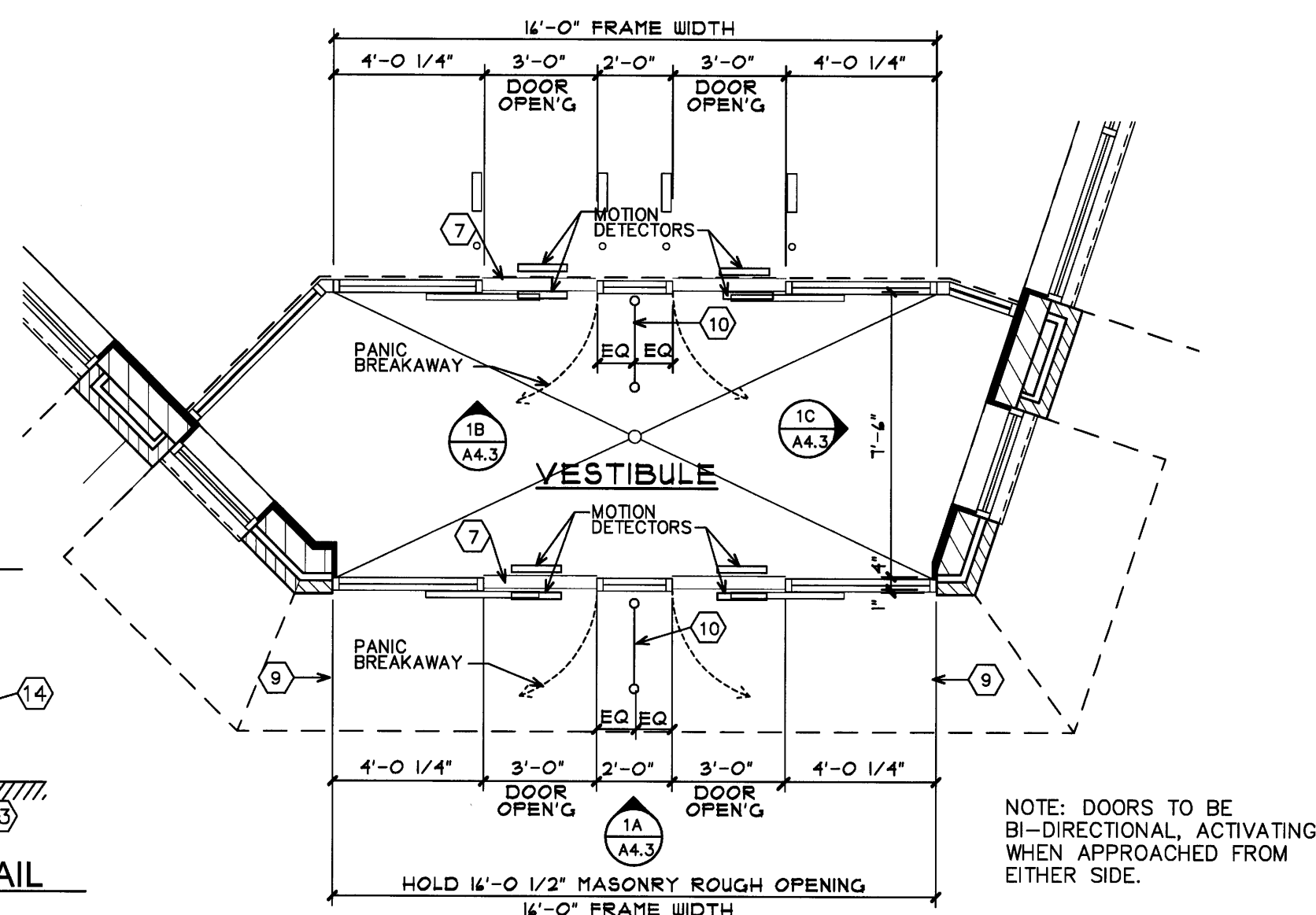


1B ELEVATION -- VESTIBULE INTERIOR
1/4"=1'-0"



- 3) DETAIL N.T.S.
- 4) DETAIL N.T.S.
- 5) NOT USED N.T.S.
- 6) NOT USED N.T.S.
- 7) DETAIL N.T.S.
- 8) DETAIL N.T.S.
- 9) DETAIL N.T.S.

NOTE: DETAILS ARE BASED ON MASONRY CONST. REFER TO PLAN AND ELEVATIONS. ADAPT TO ACTUAL CONDITIONS.



2 PLAN ENTRANCE DOOR
1/4"=1'-0"

NOTE: DOORS TO BE BI-DIRECTIONAL, ACTIVATING WHEN APPROACHED FROM EITHER SIDE.

DOOR AND HARDWARE SCHEDULE

- 1) LOCKING HARDWARE TO USE STANDARD KEYS AND CYLINDERS. LOCKING HARDWARE TO BE KEYPED IN THREE SETS: A) PHARMACY DEADBOLTS SHALL BE KEYPED ALIKE B) ALL COMBINATION LOCKSET OVERRIDE KEYS SHALL BE KEYPED ALIKE FOR SERVICE C) ALL OTHER STORE HARDWARE WITH KEYS SHALL BE KEYPED ALIKE.
- 2) N/A
- 3) SEE FLOOR PLAN FOR DOOR SWINGS.
- 4) W.O. = WALL OPENING; VERIFY WITH FLOOR PLAN.
- 5) N/A
- 6) UNLESS NOTED OTHERWISE, INTERIOR DOORS ARE WOOD, EXTERIOR DOORS ARE METAL.
- 7) VISION PANELS: 10"x10" WITH WIRE GLASS. DOORS "D", "H", AND "I" TO HAVE 15"x30" LAMINATED SECURITY GLASS (ONE-WAY OR CLEAR AS DESCRIBED BELOW).
 USE ONE-WAY GLASS VISION PANELS:
 A) IN DOORS TO EXIT CORRIDORS
 B) IN DOORS FACING SALES AREA, EXCEPT DOOR "D" (ALWAYS CLEAR).
 INSTALL REMOVABLE METAL GLASS STOPS ON SECURE SIDE OF DOOR. PRIME AND PAINT.
 EXIT DOORS: DURING BUSINESS HOURS EXIT DOORS SHALL BE OPERABLE FROM INSIDE WITHOUT USE OF A KEY.
 - HARDWARE SHALL CONFORM TO APPLICABLE ACCESSIBILITY STANDARDS.
 FIRE DOORS AND FRAMES SHALL BE U.L. "B" LABEL RATED 1 1/2 HOURS. - FOR EXTERIOR EXIT DOORS (NON-ENTRY) DIRECTLY OFF OF SALES, USE ALARM LOCK, MODEL 715, DELAYED EGRESS EXIT ALARM. INTEGRATE DELAY TO FIRE ALARM SHUNT.
- 8) NAME PLATES (TOILET ROOMS); COMMERCIAL GRADE A.D.A. COMPLIANT TACTILE SIGN (MEN, WOMEN, & HANDICAPPED). SIGNS TO HAVE BRAILLE, REGULAR COPY AND PICTOGRAPH OF WHEEL CHAIR SIGN TO BE MOUNTED 60 A.F.F. ON WALL AT LATCH SIDE OF DOOR.
- 9) PROTECTION PLATES: SHALL BE STAINLESS STEEL, 20 GAUGE, US32D FINISH, 52" HIGH WITH OVERLAP TYPE DOOR EDGE PROTECTORS (STANDARD 18 GAUGE) APPLIED TO BOTH EDGES OF DOOR. MANUFACTURER: ROCKWOOD. (DOOR EDGE, PART #308 AND #309). NOTE: PART #309 IS TO BE APPLIED TO TAPERED EDGE OF DOOR ONLY.
- 10) KICK PLATES: SHALL BE STAINLESS STEEL 20 GAUGE WITH US32D FINISH, 10" HIGH AND 2" LESS THAN DOOR WIDTH. MANUFACTURER BY ROCKWOOD OR APPROVED EQUAL. INSTALL ON PUSH SIDE ONLY, EXCEPT DOOR "L" TO RECEIVE KICK PLATES ON BOTH SIDES.
- 11) NOT USED.
- 12) SALES AREA DOOR CLOSERS TO BE MOUNTED ON SIDE OF DOOR OPPOSITE SALES AREA. OTHER INTERIOR DOOR CLOSERS TO BE MOUNTED ON ROOM SIDE OF DOOR. ALL CLOSERS SHALL HAVE A MAXIMUM 5 POUNDS PULL PER ADA.
- 13) UNDERCUT DOOR 1"
- 14) NOT USED.
- 15) COMBINATION LOCKSET WITH SERVICE KEY OVERRIDE: TRILOGY DL2700 BY ALARM LOCK, 1-800-252-5625 OR MARKS IQIK/26ME4T, BY MARKS, U.S.A. 1-800-526-0233.
- 16) FOR HIGH SECURITY STORES, ADD PG30 W/RETURN SHUNT, BY ALARMLOCK (PASSAGE #1 ONLY).
- 17) FOR HIGH SECURITY STORES, ADD PG30 W/RETURN SHUNT, BY ALARMLOCK (PASSAGE #1 ONLY).

BETWEEN SALES & PASSAGE #2	TO STOCK ROOM	BETWEEN PHARMACY & PATIENT SEATING	
<p>HARDWARE: HINGES: 1 1/2" PAIR BUTTS, FBB-179 4 1/2" X 4 1/2" PC, STANLEY PULL/PLATE: B305-8, 4" X 16", US26D. IVES CLOSER: 7500BFDL-M, ALUMINUM NORTON FLOOR BUMPER: 436B, US26D. IVES SILENCERS: RUBBER GJ64 GLYNN JOHNSON</p> <p>LABEL: REFER TO 3, 6, 7, 10, 13, 15-17 ABOVE</p>	<p>HARDWARE: HINGES: 1 1/2" PAIR BUTTS, FBB-179 4 1/2" X 4 1/2" PC, STANLEY LOCK: COMBINATION LOCKSET. NOTE 16. CLOSER: 7500BFH-M, ALUMINUM NORTON FLOOR BUMPER: 436B, US26D. IVES SILENCERS: RUBBER GJ64 GLYNN JOHNSON NOTE: 2 PAIR BUTTS FOR DOOR (B)</p> <p>LABEL: REFER TO 3, 6, 7, 10, 13 & 16 ABOVE</p>	<p>HARDWARE: HINGES: 1 1/2" PAIR BUTTS, FBB-179 4 1/2" X 4 1/2" PC, STANLEY LOCK: COMBINATION LOCKSET. NOTE 16. DEADBOLT: B662P-626, SCHLAGE. (FOR PHARMACIES WITH 2 DOORS.) DEADBOLT CENTERLINE 8" BELOW CYLINDER BORE. DEADBOLT: B660P-626, SCHLAGE. (FOR PHARMACIES WITH 1 DOOR.) DEADBOLT CENTERLINE 8" BELOW CYLINDER BORE. CLOSER: 1601BF, ALUMINUM NORTON FLOOR BUMPER: 436B, US26D. IVES SILENCERS: RUBBER GJ64 GLYNN JOHNSON</p> <p>LABEL: REFER TO 1-3, 6, 7, 11, 13 & 16 ABOVE</p>	
BETWEEN PHARMACY & MULTI-PURPOSE	TO ELECTRICAL EQUIPMENT ROOM	TO STAIR #1 (CELLAR, GENERAL STOCK)	
<p>HARDWARE: HINGES: 1 1/2" PAIR BUTTS, FBB-179 4 1/2" X 4 1/2" PC, STANLEY LOCK: COMBINATION LOCKSET, NOTE 16 (STORE ROOM FUNCTION) DEADBOLT: CENTERLINE 8" BELOW CYLINDER BORE. CLOSER: 1601BF, ALUMINUM NORTON FLOOR BUMPER: 436B, US26D. IVES SILENCERS: RUBBER GJ64 GLYNN JOHNSON ONE-WAY VIEWER: #698 190 ALUMINUM IVES</p> <p>LABEL: REFER TO 1, 3, 6, 11, 13 & 16 ABOVE</p>	<p>HARDWARE: HINGES: 1 1/2" PAIR BUTTS, FBB-179 4 1/2" X 4 1/2" PC, STANLEY LOCKSET: ONE SCHLAGE AL80PD-SAT-626 (STORE ROOM FUNCTION) W/ DETECTABLE WARNING KNURLED HANDLE. CLOSER: 7500DA, ALUMINUM NORTON FLOOR BUMPER: 436B, US26D. IVES SILENCERS: RUBBER GJ64 GLYNN JOHNSON</p> <p>LABEL: REFER TO 1, 3, 6, 7, 11 & 13 ABOVE</p>	<p>HARDWARE: HINGES: 1 1/2" PAIR BUTTS, FBB-179 4 1/2" X 4 1/2" PC, STANLEY LEVERSET: ONE SCHLAGE AL53PD-SAT-626 (NO LOCKING FUNCTION). CLOSER: 7500DA, ALUMINUM NORTON FLOOR BUMPER: 436B, US26D. IVES SILENCERS: RUBBER GJ64 GLYNN JOHNSON</p> <p>LABEL: 1 HOUR REFER TO 3, 6, 11, & 13 ABOVE</p>	
TO TOILET ROOM (WITH STALLS)	TO TOILET ROOM (WITHOUT STALLS)	TO OFFICE / TRAINING / MULTI-PURPOSE	
<p>HARDWARE: HINGES: 1 1/2" PAIR BUTTS, FBB-179 4 1/2" X 4 1/2" PC, STANLEY PULL/PLATE: B305-8, 4" X 16", US26D. IVES PUSHPLATE: B200, 4" X 16", US26D. IVES CLOSER: 1601BF, ALUMINUM NORTON FLOOR BUMPER: 436B, US26D. IVES SILENCERS: RUBBER GJ64 GLYNN JOHNSON</p> <p>LABEL: REFER TO 1, 3, 6, 9, 11, 13-15 ABOVE</p>	NOT USED		
TO EMPLOYEE ROOM	TO EXTERIOR	TO EXTERIOR AT STAIR #1	
<p>HARDWARE: HINGES: 1 1/2" PAIR BUTTS, FBB-179 4 1/2" X 4 1/2" PC, STANLEY PULL/PLATE: B305-8, 4" X 16", US26D. IVES PUSHPLATE: B200, 4" X 16", US26D. IVES CLOSER: 1601BF, ALUMINUM NORTON FLOOR BUMPER: 436B, US26D. IVES SILENCERS: RUBBER GJ64 GLYNN JOHNSON</p> <p>LABEL: REFER TO 1, 3, 6, 7, 11, 13, & 15 ABOVE</p>	<p>HARDWARE: HINGES: 1 1/2" PAIR BUTTS, FBB-179 4 1/2" X 4 1/2" PC, STANLEY (NON-REMOVABLE PIN W/ SECURITY STUD) SECURITY PANIC BAR: SUR-LOCK MODEL W/0 2000L WITH A STANDARD MORTISE CYLINDER. CLOSER: UNI P7705DA-M, ALUM. NORTON THRESHOLD: 78A, 7" X 40" ALUMINUM DORBIN SWEEP: 83AL X 40" RUBBER DORBIN WEATHER STRIP: 399AV VINYL DORBIN ONE-WAY VIEWER: #698 190 ALUMINUM IVES</p> <p>LABEL: REFER TO 8 ABOVE</p>	<p>HARDWARE: HINGES: 1 1/2" PAIR BUTTS, FBB-179 4 1/2" X 4 1/2" PC, STANLEY (NON-REMOVABLE PIN W/ SECURITY STUD) SECURITY PANIC BAR: SUR-LOCK MODEL W/0 2000L WITH A STANDARD MORTISE CYLINDER. CLOSER: UNI P7705DA-M, ALUM. NORTON THRESHOLD: 78A, 7" X 40" ALUMINUM DORBIN SWEEP: 83AL X 40" RUBBER DORBIN WEATHER STRIP: 399AV VINYL DORBIN ONE-WAY VIEWER: #698 190 ALUMINUM IVES</p> <p>LABEL: REFER TO 8 ABOVE</p>	
TO PORTER ROOM	LOADING DOCK	CONVEYOR SHUTTER	
<p>HARDWARE: HINGES: 1 1/2" PAIR BUTTS, FBB-179 4 1/2" X 4 1/2" PC, STANLEY LOCKSET: ONE SCHLAGE AL53PD-SAT-626 (ENTRY FUNCTION). CLOSER: 1601BFH, ALUMINUM NORTON SILENCERS: RUBBER GJ64 GLYNN JOHNSON</p> <p>LABEL: REFER TO 1, 3, 6, 11, 13, & 14 ABOVE</p>	<p>NOTE: RAISE O.H. DOOR HOOD TO CLEAR AIR CURTAIN UNIT. REFER TO DTL. 12/A4.5 MIN. 9" CLEAR BOTH SIDES. PROVIDE PERIMETER & HOOD WEATHER SEALS. PULL CHAIN - CHAIN SIDE IS OPPOSITE CONVEYOR. SEE FUTURE PLAN. INDUSTRIAL GRADE (1/4" MIN. THICKNESS) SLIDE BOLT FOR PADLOCK EACH SIDE.</p> <p>LABEL: REFER TO 1, 4 & 6 ABOVE</p>	NOT USED	
CONVEYOR ACCESS	TOWER ACCESS		
NOT USED		<p>HARDWARE: HINGES: 1 1/2" PAIR BUTTS, FBB-179 4 1/2" X 4 1/2" PC, STANLEY LOCK: DEADBOLT: B660P-626 SCHLAGE. PULL: IVES #112-5 US26D (ONE EACH SIDE) CLOSER: 1601BF, ALUMINUM NORTON THRESHOLD: 78A, 7" X 40" ALUMINUM DORBIN SWEEP: 83AL X 30" RUBBER DORBIN WEATHER STRIP: 399AV, VINYL DORBIN STEEL RAIN GUARD: DORBIN 101A</p> <p>LABEL: REFER TO 1, 3, 6, & 15 ABOVE</p>	

MOESER & ASSOCIATES
206 AYER ROAD HARVARD, MA 978-456-8905
ARCHITECT

DRAWINGS/SPECIFICATIONS BY:

- WALGREENS'
- LANDLORD'S CONSULTANT

ALL CONSTRUCTION WORK, UNLESS NOTED OTHERWISE, BY:

- WALGREENS' CONTRACTOR
- LANDLORD'S CONTRACTOR (TURNKEY CONSTRUCTION)

STORE	BUILDING
NEW ■	NEW ■
REMODELING □	EXISTING □
RELOCATION □	NEW SHELL ONLY □
OTHERS □	

NO.	DATE	BY	DESCRIPTION	CONST
REVISIONS				
CERTIFICATION AND SEAL				
I HEREBY CERTIFY THAT THIS PLAN AND SPECIFICATION WAS PREPARED BY ME OR UNDER MY DIRECT SUPERVISION AND THAT I AM A DULY REGISTERED ARCHITECT OR ENGINEER UNDER THE LAWS OF THE STATE OF MAINE AS SIGNIFIED BY MY HAND AND SEAL.				
FISCAL 2007 CRITERIA - STORE #12325				
WALGREENS 616 FOREST AVENUE PORTLAND, MAINE				
DRAWING TITLE				
STANDARD DETAILS				
CADD PLOT:	SCALE: AS NOTED	DRAWING NO.		
VOID PLOT:	DRAWN BY: RJV	A4.3		
RELEASED TO CONSTRUCTION	DATE: 12-10-08			
	REVIEWED BY: SAM			