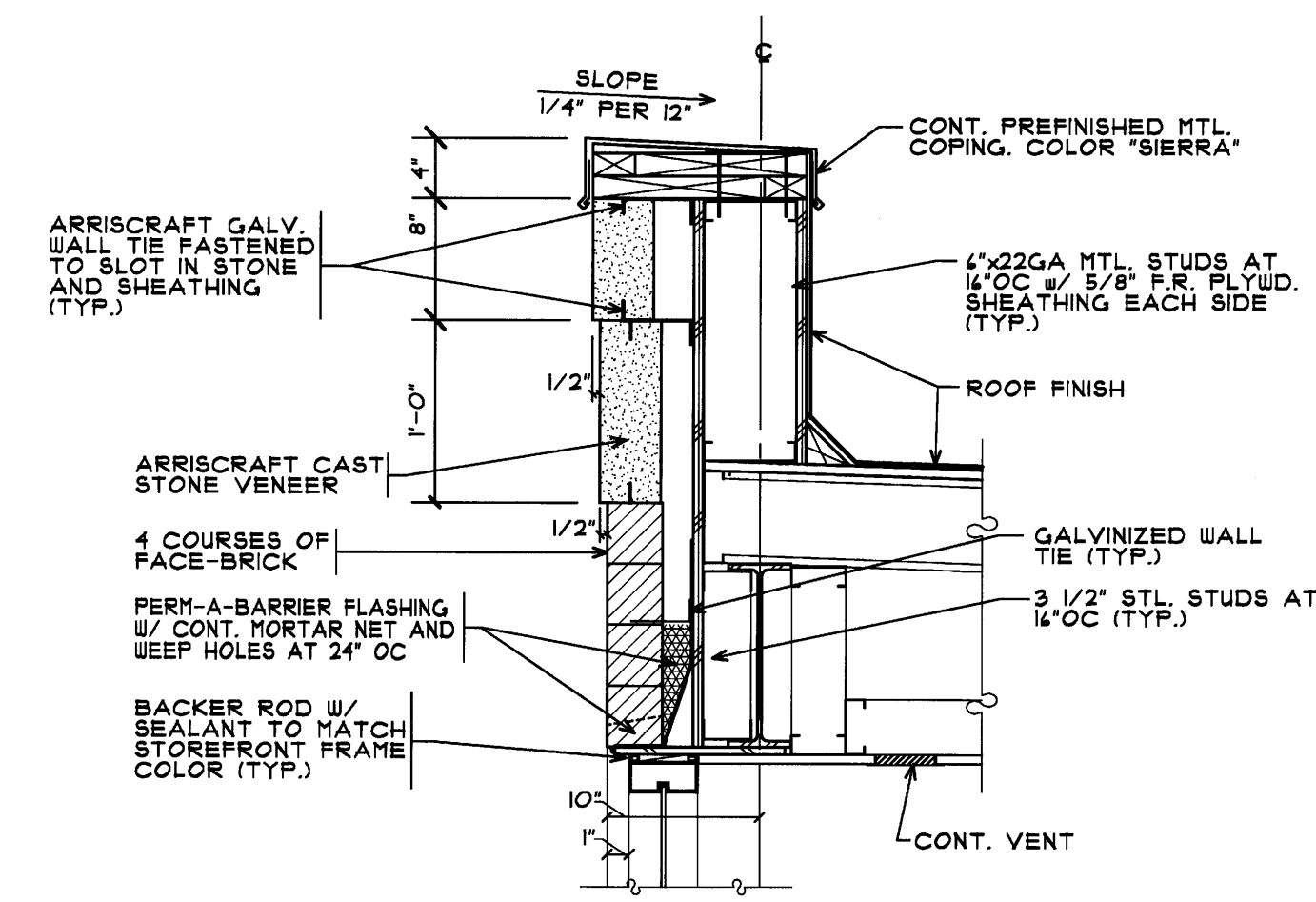


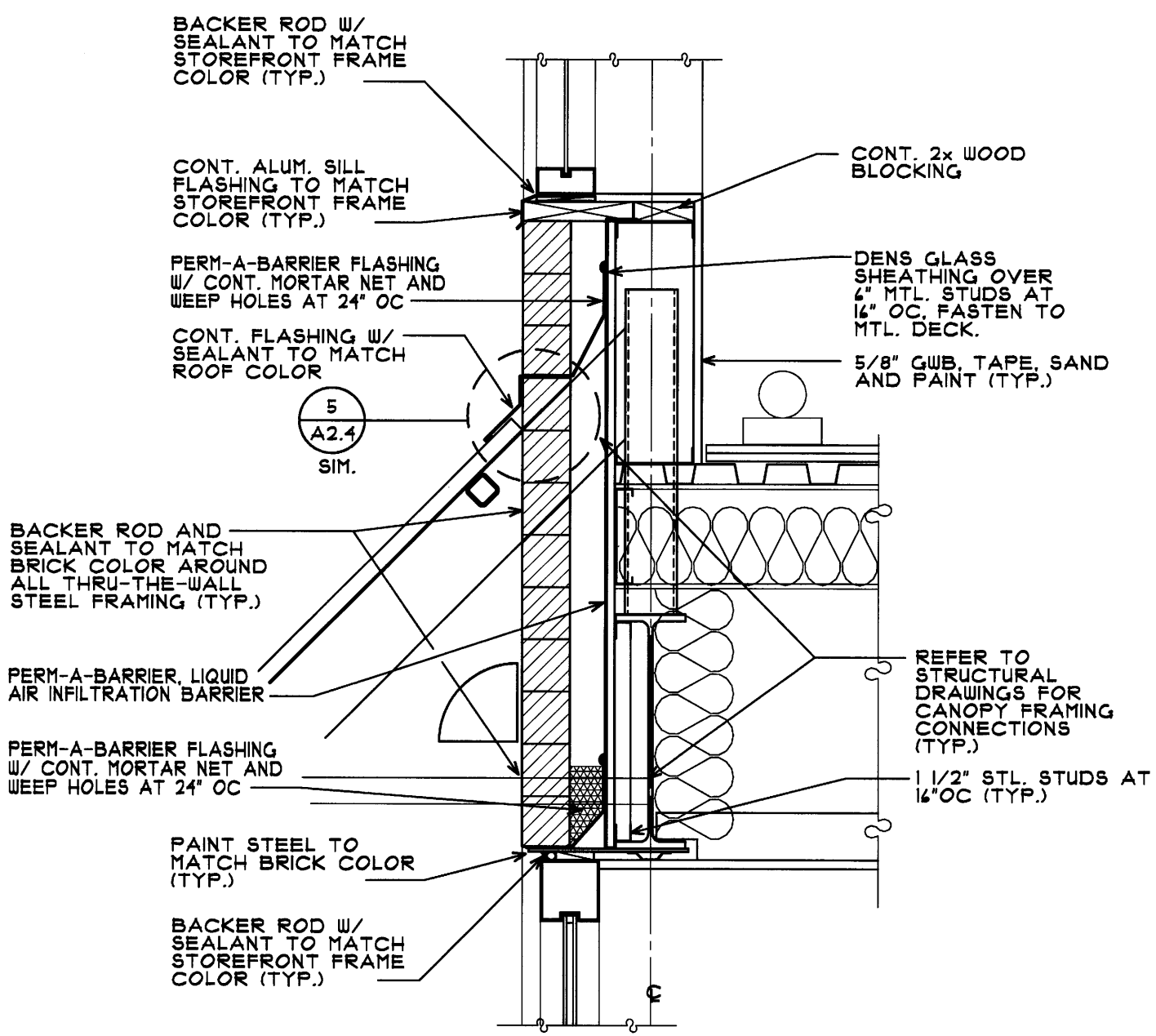
DRAWINGS/SPECIFICATIONS BY:  
 WALGREENS  
 LANDLORD'S CONSULTANT

ALL CONSTRUCTION WORK, UNLESS NOTED OTHERWISE, BY:  
 WALGREENS' CONTRACTOR  
 LANDLORD'S CONTRACTOR (TURNKEY CONSTRUCTION)

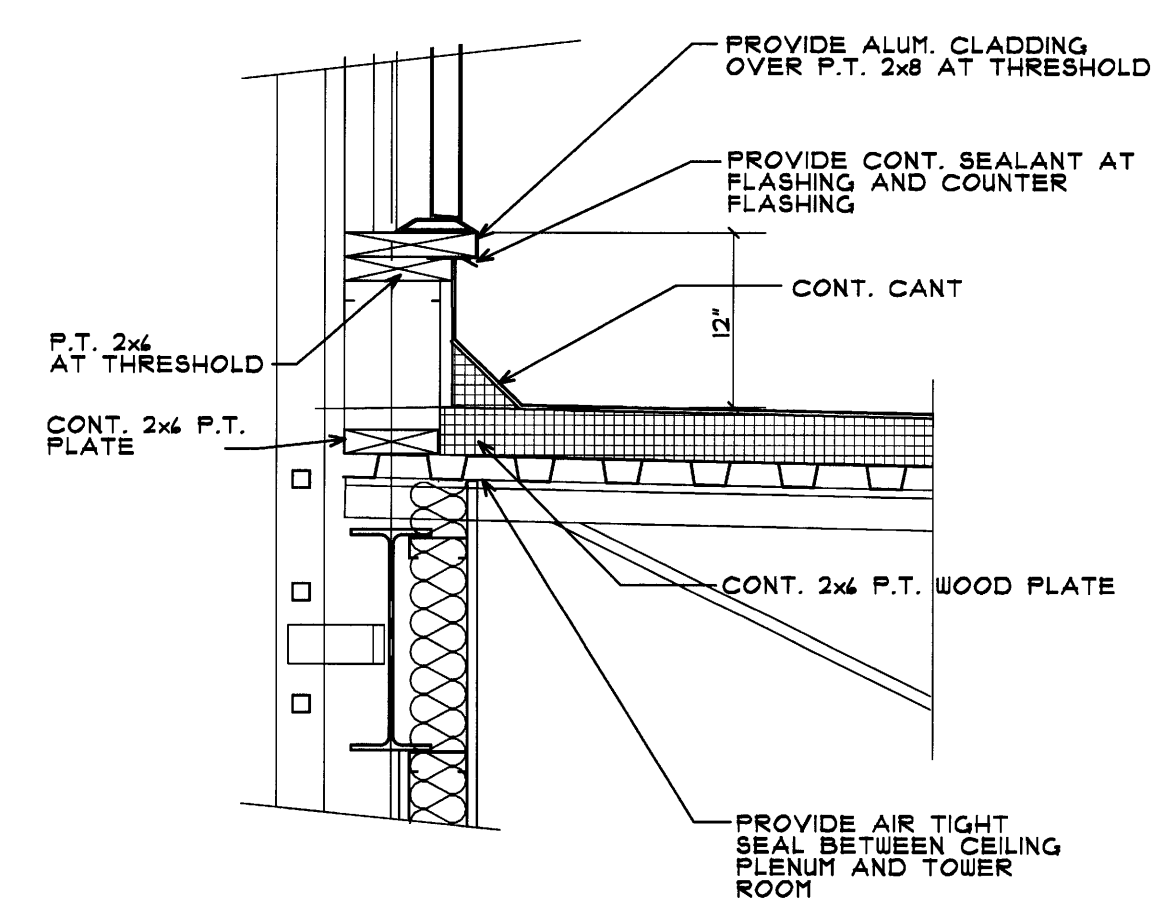
STORE	BUILDING
NEW	NEW
REMODELING	EXISTING
RELOCATION	NEW SHELL ONLY
OTHERS	



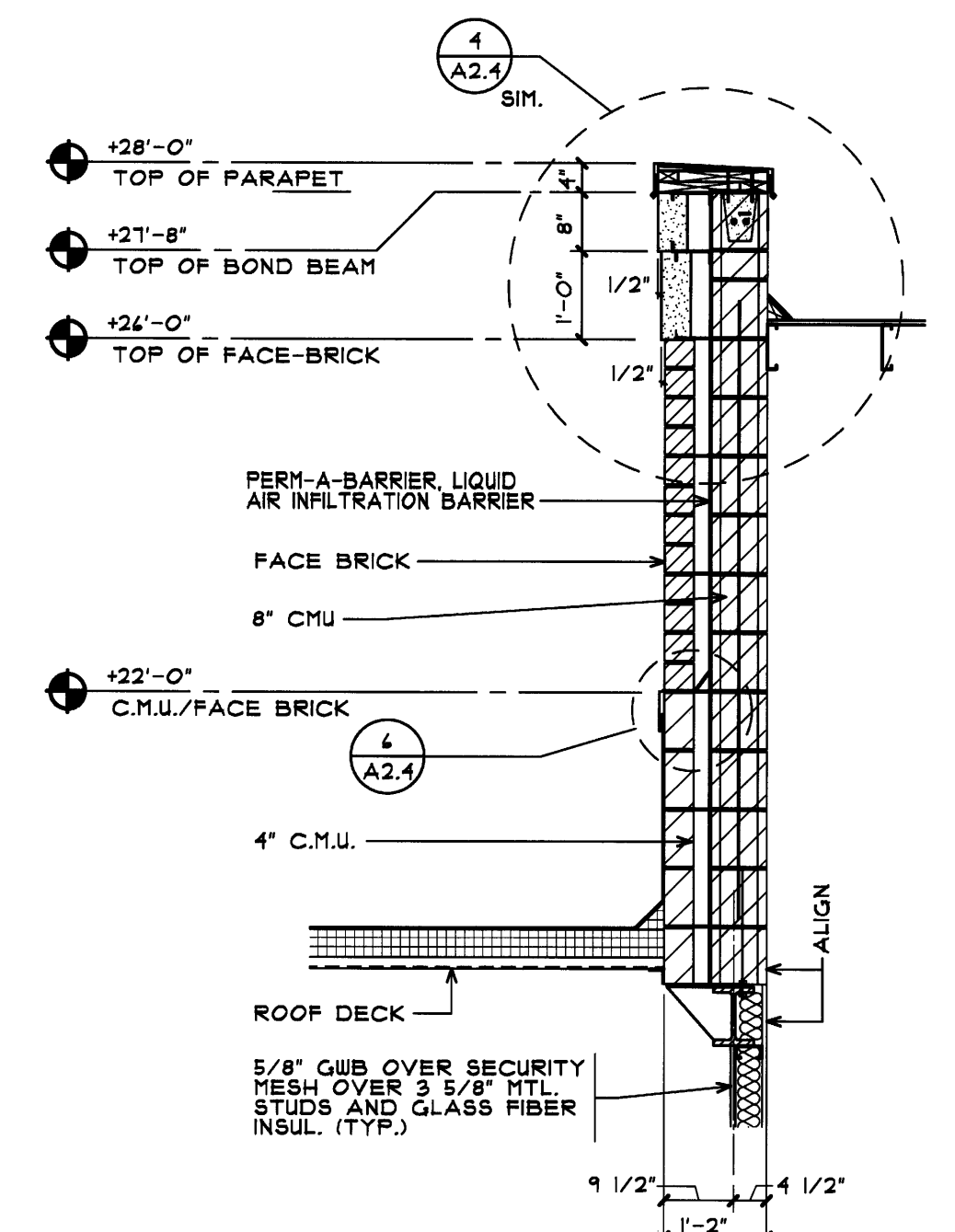
**CORNICE DETAIL**  
 SCALE: 1"=1'-0"



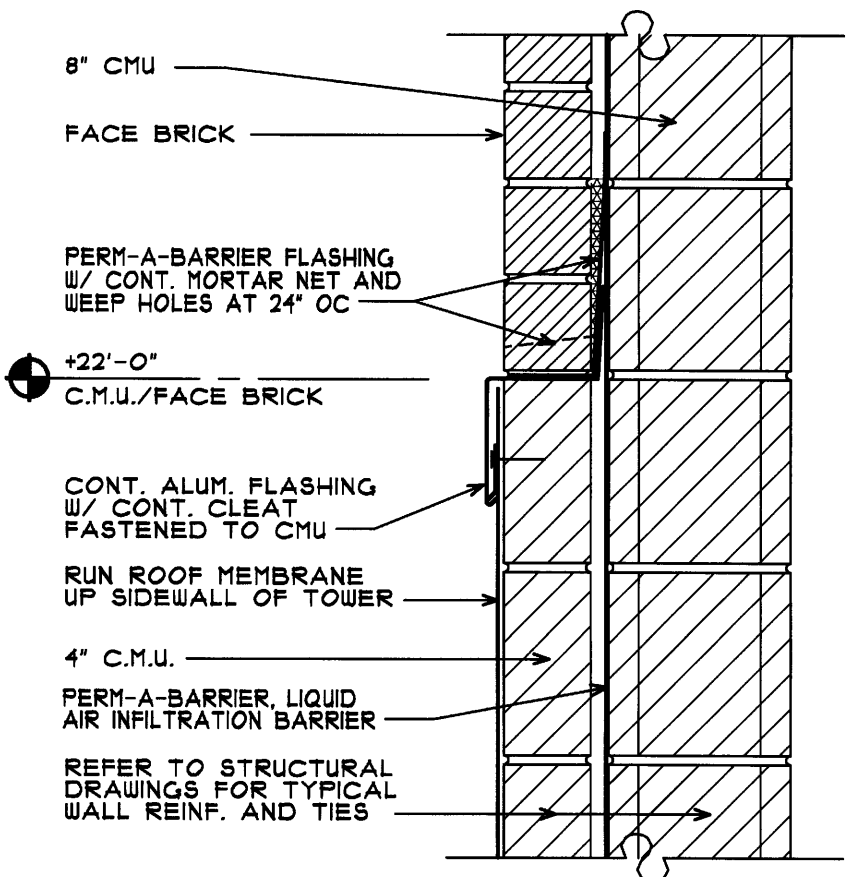
**FLASHING DETAIL**  
 SCALE: 1"=1'-0"



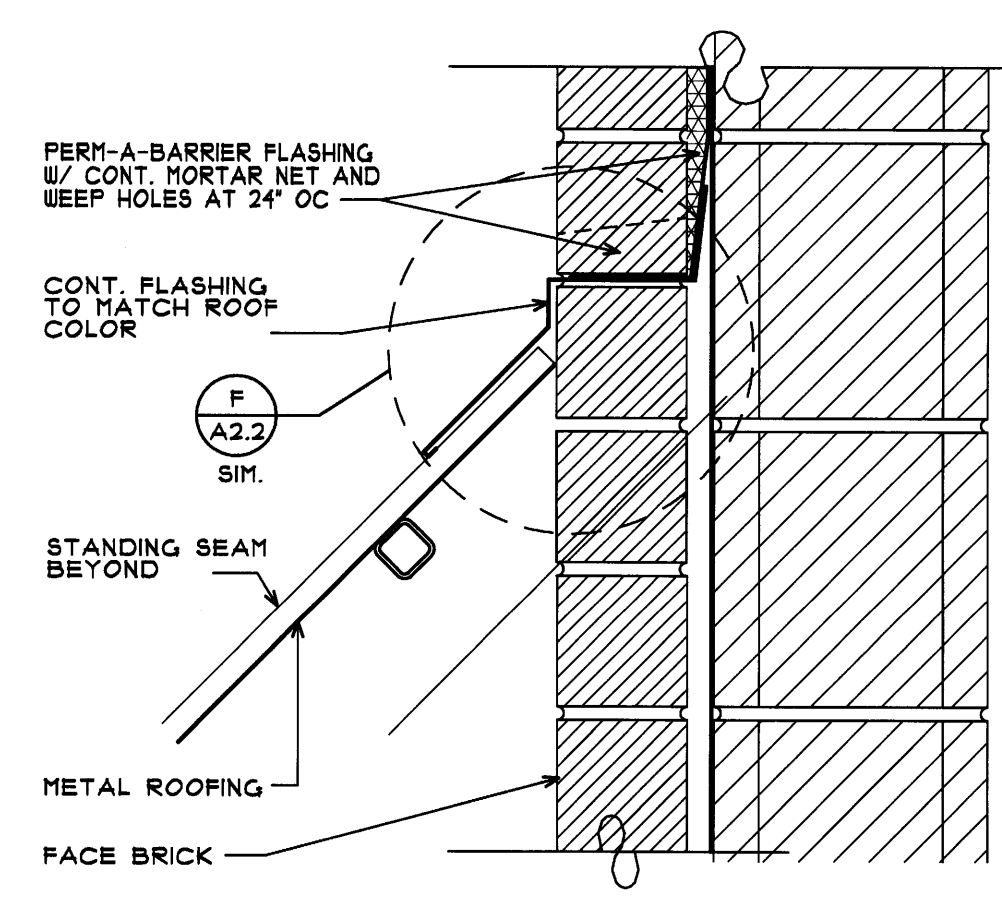
**THRESHOLD DETAIL**  
 SCALE: 1"=1'-0"



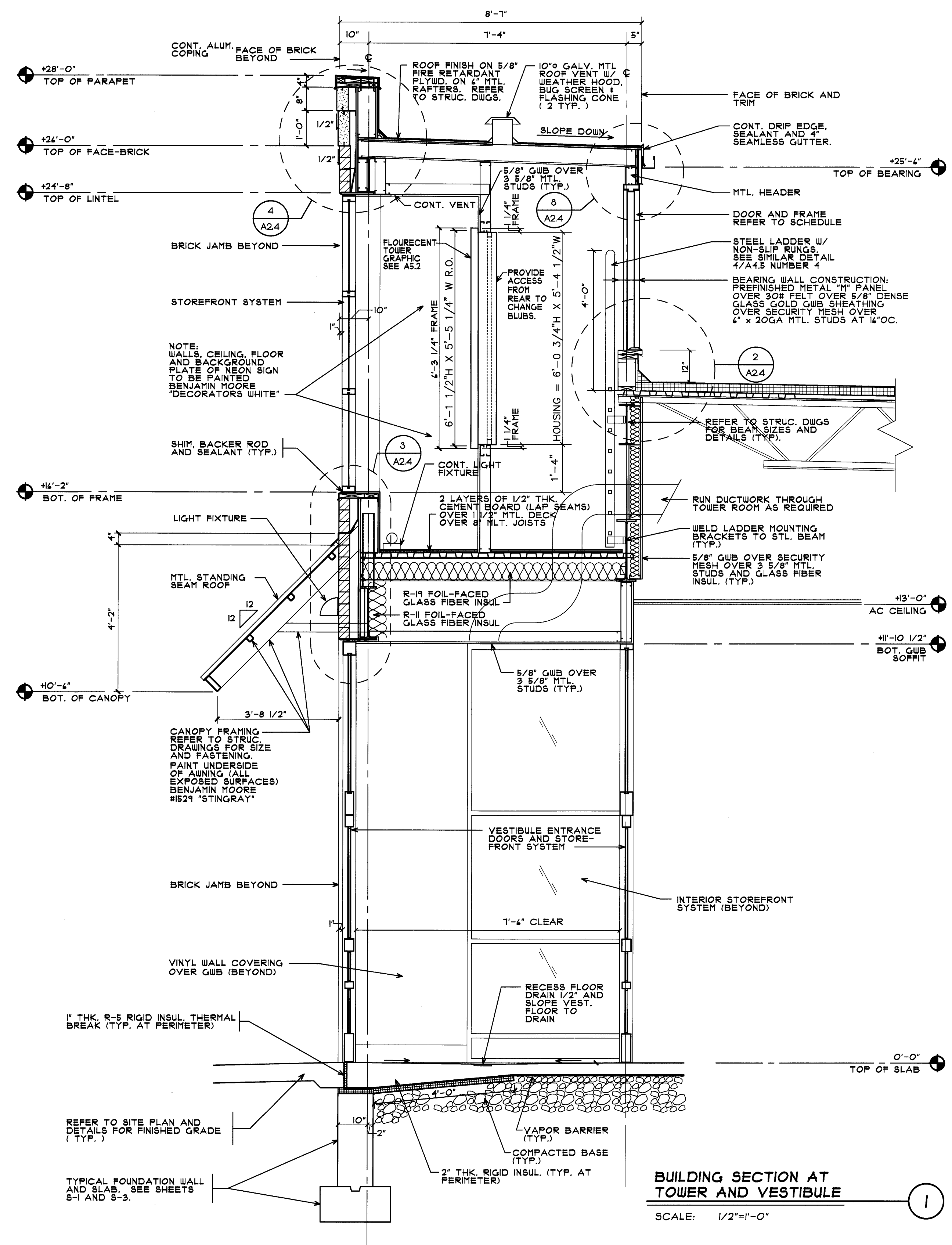
**PARTIAL WALL SECTION AT TOWER SIDEWALL**  
 SCALE: 1/2"=1'-0"



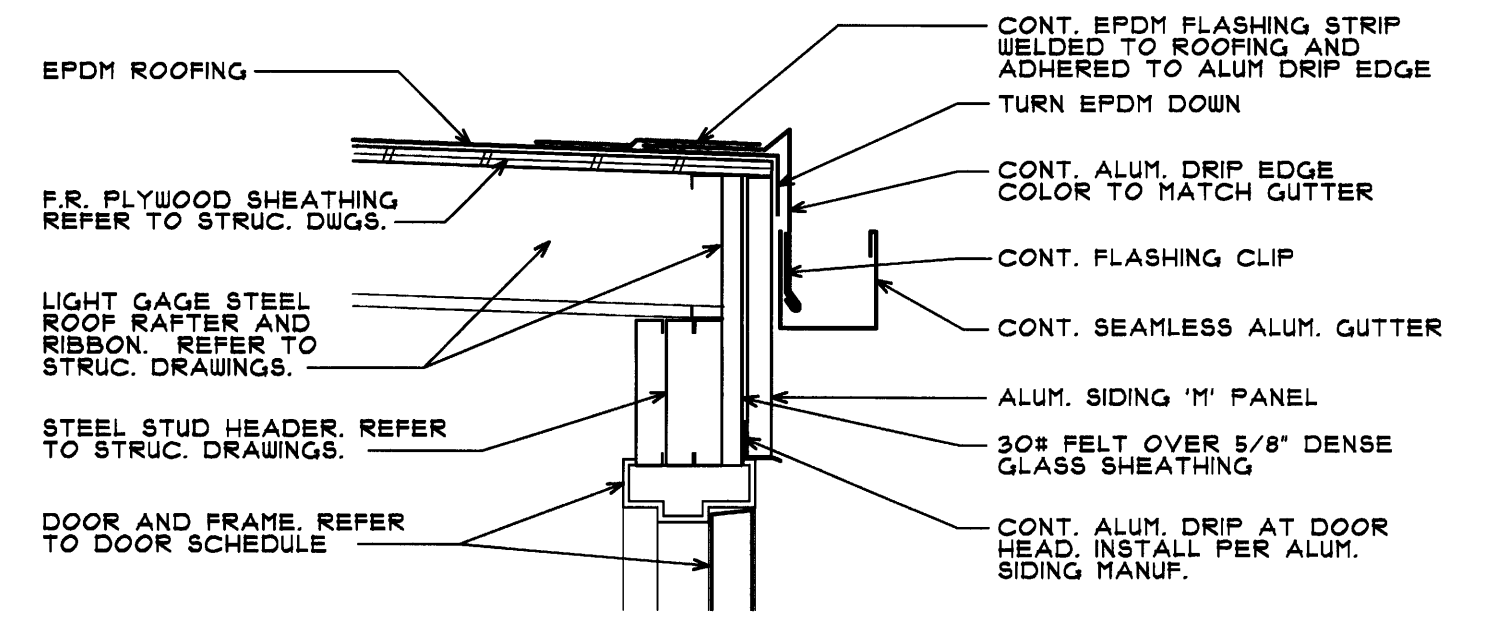
**FLASHING DETAIL**  
 SCALE: 1"=1'-0"



**FLASHING DETAIL AT CANOPY**  
 SCALE: 1 1/2"=1'-0"



**BUILDING SECTION AT TOWER AND VESTIBULE**  
 SCALE: 1/2"=1'-0"



**ROOF EDGE DETAIL AT TOWER**  
 SCALE: 1 1/2"=1'-0"

NO.	DATE	BY	DESCRIPTION	CONST
REVISIONS				
CERTIFICATION AND SEAL				

I HEREBY CERTIFY THAT THIS PLAN AND SPECIFICATION WAS PREPARED BY ME OR UNDER MY DIRECT SUPERVISION AND THAT I AM A DULY REGISTERED ARCHITECT OR ENGINEER UNDER THE LAWS OF THE STATE OF MAINE AS SIGNIFIED BY MY HAND AND SEAL.

**FISCAL 2007 CRITERIA - STORE #12325**

WALGREENS  
 616 FOREST AVENUE  
 PORTLAND, MAINE

DRAWING TITLE  
**BUILDING SECTIONS AND DETAILS**

CADD PLOT:	SCALE: AS NOTED	DRAWING NO.
VOID PLOT:	DRAWN BY: WAL	<b>A2.4</b>
RELEASED TO CONSTRUCTION	DATE: 12-10-08	
	REVIEWED BY: SAM	