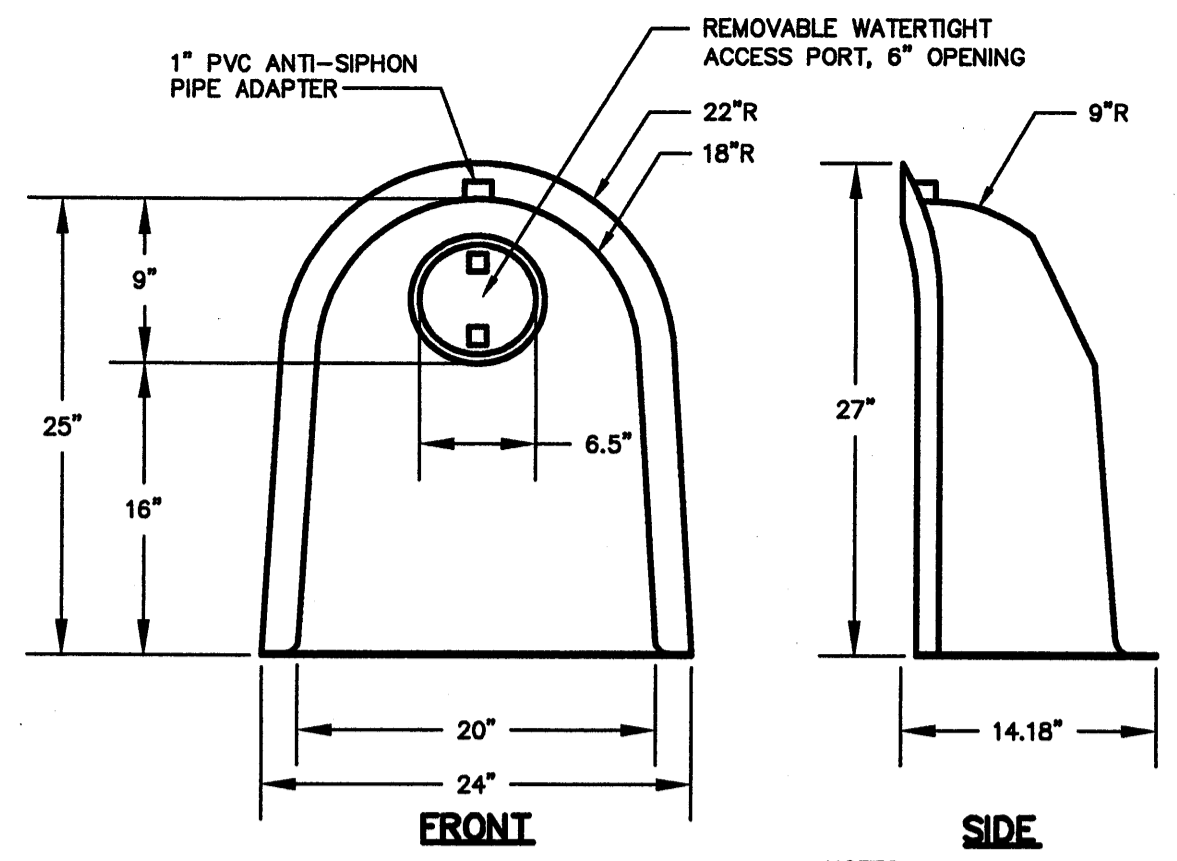
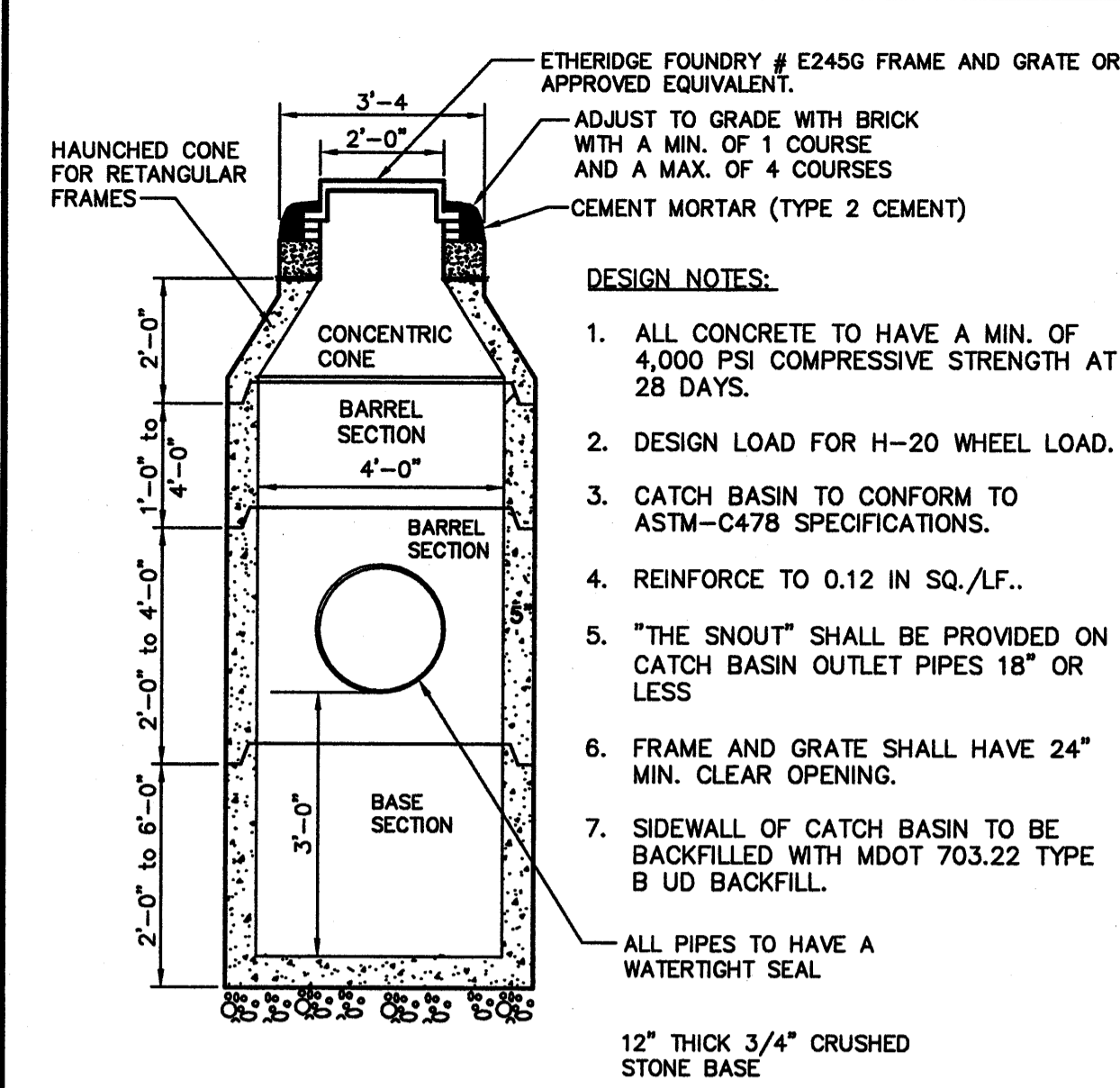


SECONDARY ELECTRICAL TRENCH
NOT TO SCALE



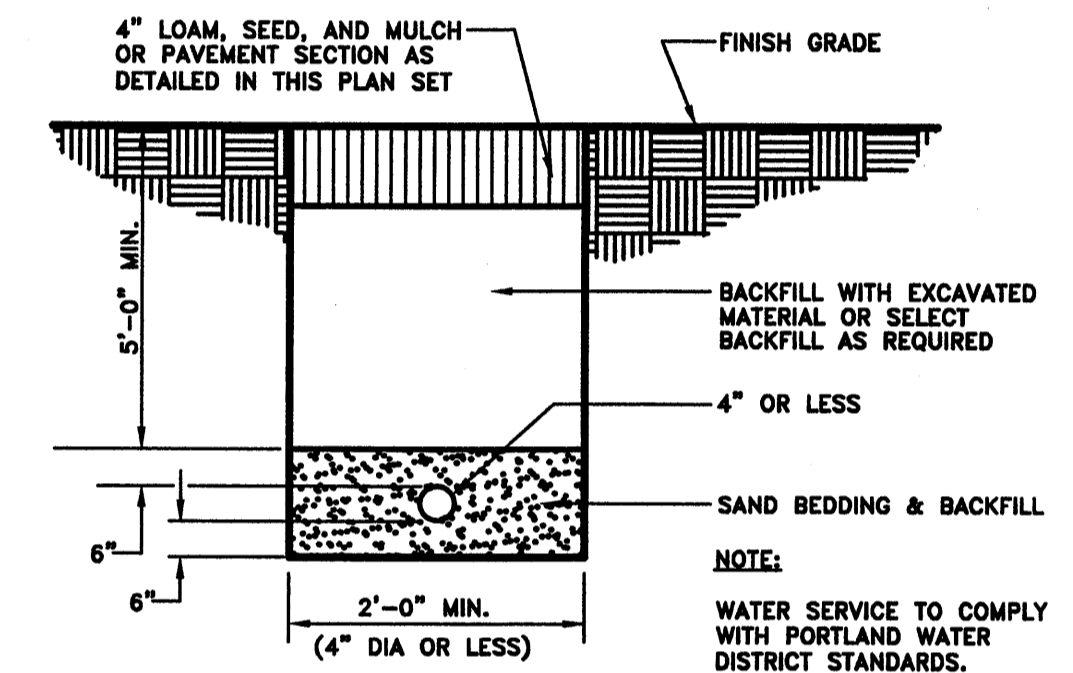
NOTES:
1. SIZE 24R REQUIRED FOR 18" PIPE.
2. INSTALL IN ACCORDANCE WITH MANUFACTURER'S RECOMMENDATIONS.

"THE SNOOT"
NOT TO SCALE

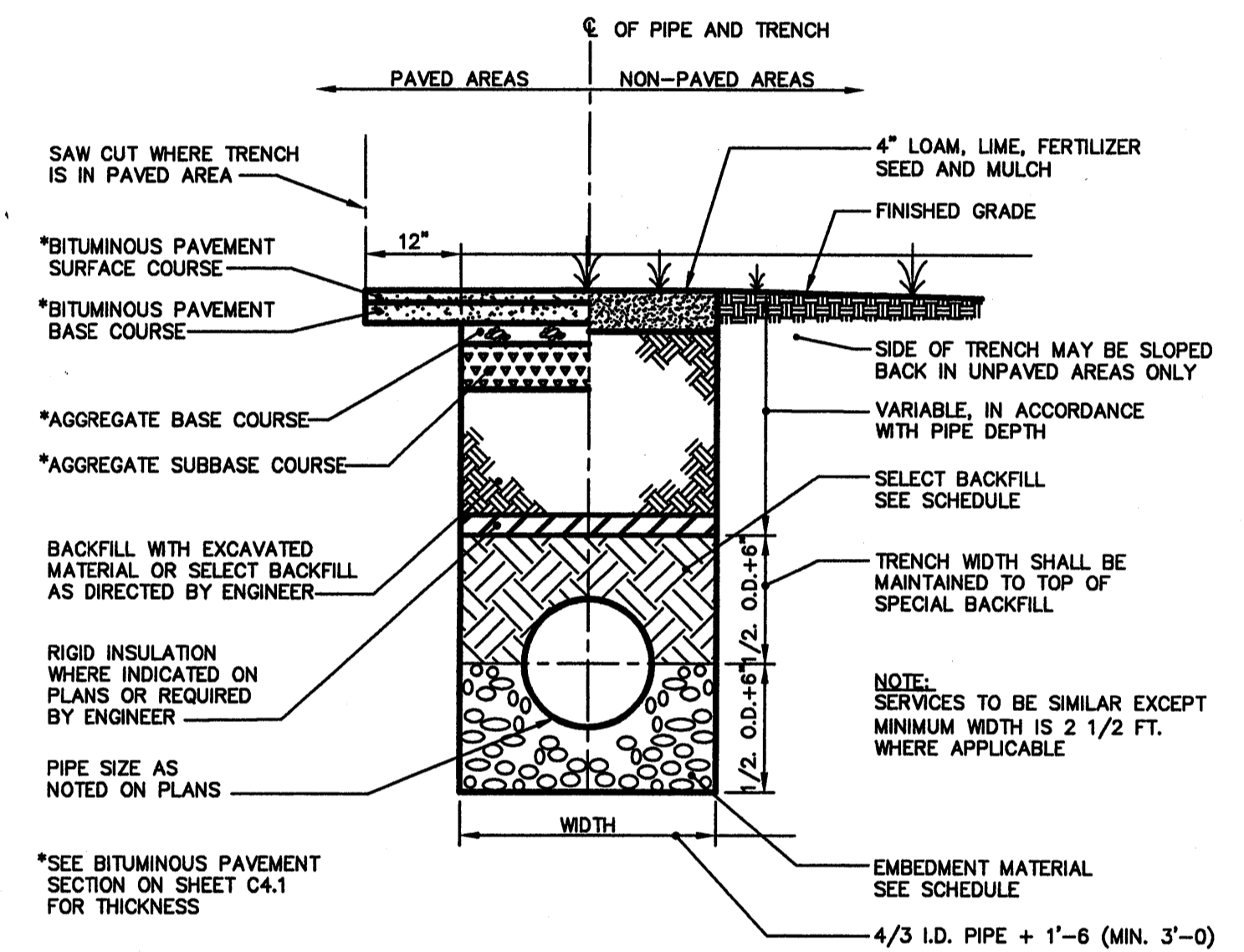


- DESIGN NOTES:**
1. ALL CONCRETE TO HAVE A MIN. OF 4,000 PSI COMPRESSIVE STRENGTH AT 28 DAYS.
 2. DESIGN LOAD FOR H-20 WHEEL LOAD.
 3. CATCH BASIN TO CONFORM TO ASTM-C478 SPECIFICATIONS.
 4. REINFORCE TO 0.12 IN SQ./F..
 5. "THE SNOOT" SHALL BE PROVIDED ON CATCH BASIN OUTLET PIPES 18" OR LESS.
 6. FRAME AND GRATE SHALL HAVE 24" MIN. CLEAR OPENING.
 7. SIDEWALL OF CATCH BASIN TO BE BACKFILLED WITH MDOT 703.22 TYPE B UD BACKFILL.
- ALL PIPES TO HAVE A WATERTIGHT SEAL

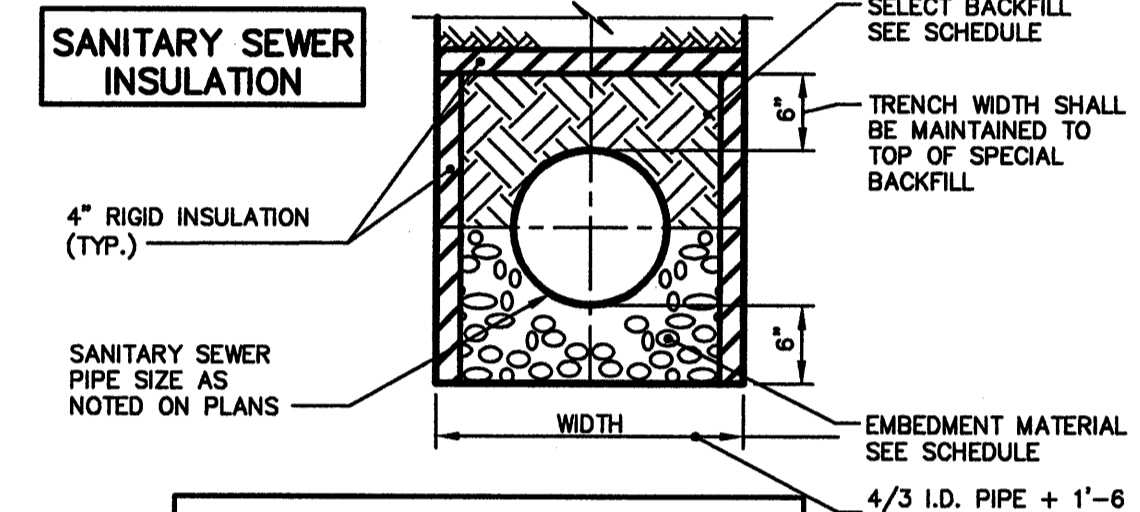
4'-0" PRECAST CATCH BASIN
NOT TO SCALE



WATER SERVICE TRENCH SECTION
NOT TO SCALE



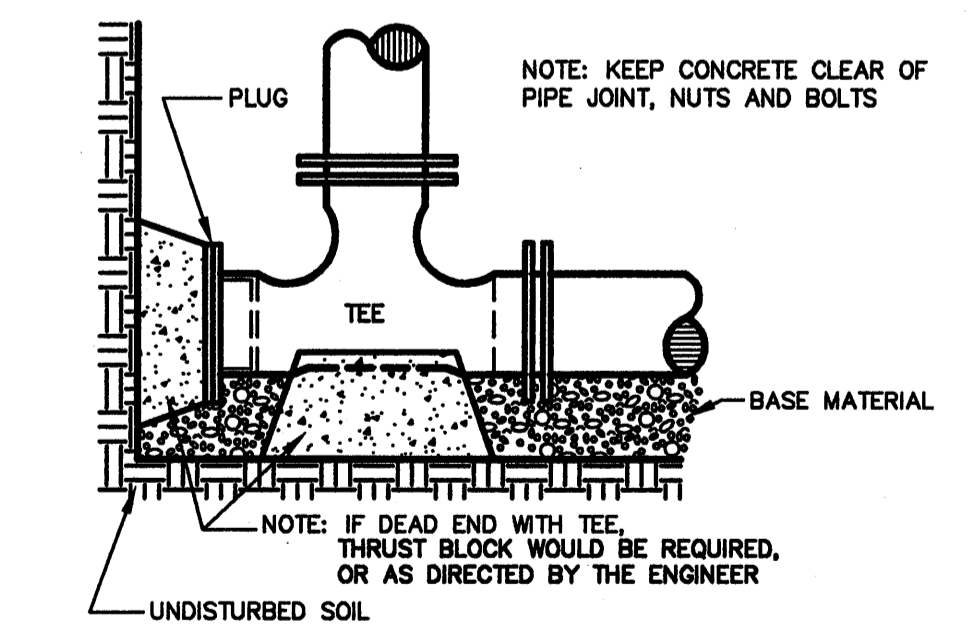
TRENCH SECTION
NOT TO SCALE



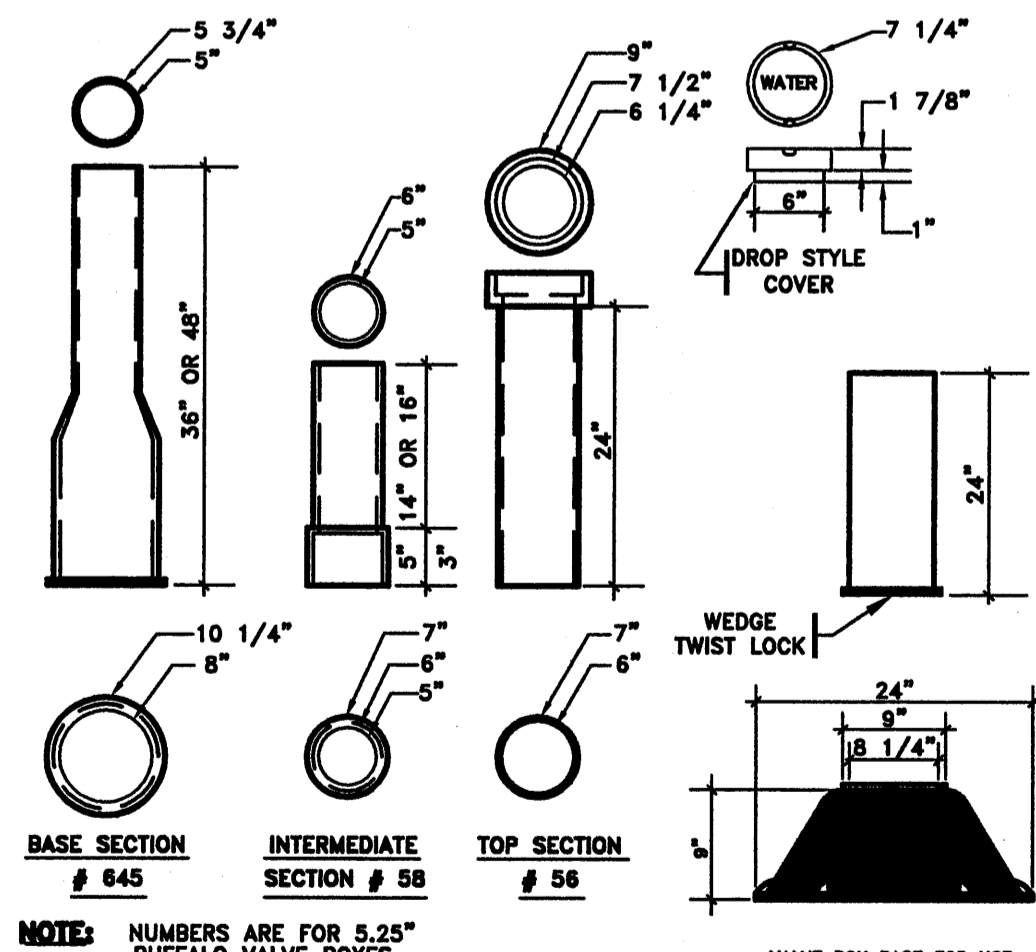
SCHEDULE OF TRENCH BACKFILL

TYPE OF PIPE	EMBEDMENT MATERIAL	SELECT BACKFILL
CMP DUCTILE IRON RCP	MDOT 703.22 TYPE B UD BACKFILL	MDOT 703.22 TYPE B UD BACKFILL
PVC-SDR 35 HDPE	MDOT 703.22 TYPE C 3/4" CRUSHED STONE	MDOT 703.22 TYPE B UD BACKFILL

- NOTE:
1. BRACING AND SHEETING OR OTHER TRENCH PROTECTION TO BE PROVIDED TO MEET APPLICABLE STATE AND O.S.H.A. SAFETY STANDARDS. ALL SUCH TRENCH PROTECTION TO BE THE RESPONSIBILITY OF THE CONTRACTOR.
- MINIMUM COVER
- | PIPE | COVER |
|-------|-----------|
| 2'-0" | DRAIN (1) |
| 3'-0" | WATER |
| 5'-0" | SEWER |
- (1) COVER BETWEEN 2' AND 3' SHALL INCLUDE 4" RIGID INSULATION, COVERS BETWEEN 3' AND 4' SHALL INCLUDE 2" RIGID INSULATION.



SEE NOTE 3 IN THRUST BLOCK NOTES DETAIL
STANDARD TEE BLOCKING
NOT TO SCALE



SEE NOTE 3 IN THRUST BLOCK NOTES DETAIL

VALVE BOXES
NOT TO SCALE

NOTE:
VALVE BOXES TO COMPLY WITH PORTLAND WATER DISTRICT STANDARDS.

CONSULTANT PROJECT NO. 1348

PROJECT TYPE

DRAWINGS/SPECIFICATIONS BY:

WALGREENS'
 LANDLORD'S CONSULTANT

ALL CONSTRUCTION WORK, UNLESS NOTED OTHERWISE, BY:

WALGREENS' CONTRACTOR
 LANDLORD'S CONTRACTOR (TURNKEY CONSTRUCTION)

STORE	BUILDING
NEW	<input checked="" type="checkbox"/>
REMODELING	<input type="checkbox"/>
RELOCATION	<input type="checkbox"/>
OTHERS	<input type="checkbox"/>
	NEW
	EXISTING
	NEW SHELL ONLY

NO.	DATE	BY	DESCRIPTION	CONST
A	12/11/08	MPM	ISSUED FOR CONSTRUCTION	
2	04/16/08	MPM	RESPONSE TO CITY COMMENTS	
1	03/21/08	MPM	RESPONSE TO COMMENTS	

REVISIONS

NO.	DATE	BY	DESCRIPTION	CONST
A	12/11/08	MPM	ISSUED FOR CONSTRUCTION	
2	04/16/08	MPM	RESPONSE TO CITY COMMENTS	
1	03/21/08	MPM	RESPONSE TO COMMENTS	

CERTIFICATION AND SEAL

I HEREBY CERTIFY THAT THIS PLAN AND SPECIFICATION WAS PREPARED BY ME OR UNDER MY DIRECT SUPERVISION AND THAT I AM A DULY REGISTERED ARCHITECT OR ENGINEER UNDER THE LAWS OF THE STATE OF MAINE AS SIGNIFIED BY MY HAND AND SEAL.

[Signature]
REGISTERED PROFESSIONAL ENGINEER
NO. 7703
12/11/08

STORE NUMBER 12325

PROJECT NAME
WALGREENS - STORE #12325
(SWC) FOREST & REVERE
PORTLAND, MAINE

DRAWING TITLE
UTILITY DETAILS

CADD PLOT:	SCALE:	DRAWING NO.:
VOID PLOT:	DRAWN BY: JBC	C4.3
SUPERSEDES PLAN DATED:	DATE: 12/07	OF DWGS.
	REVIEWED BY: MPM	