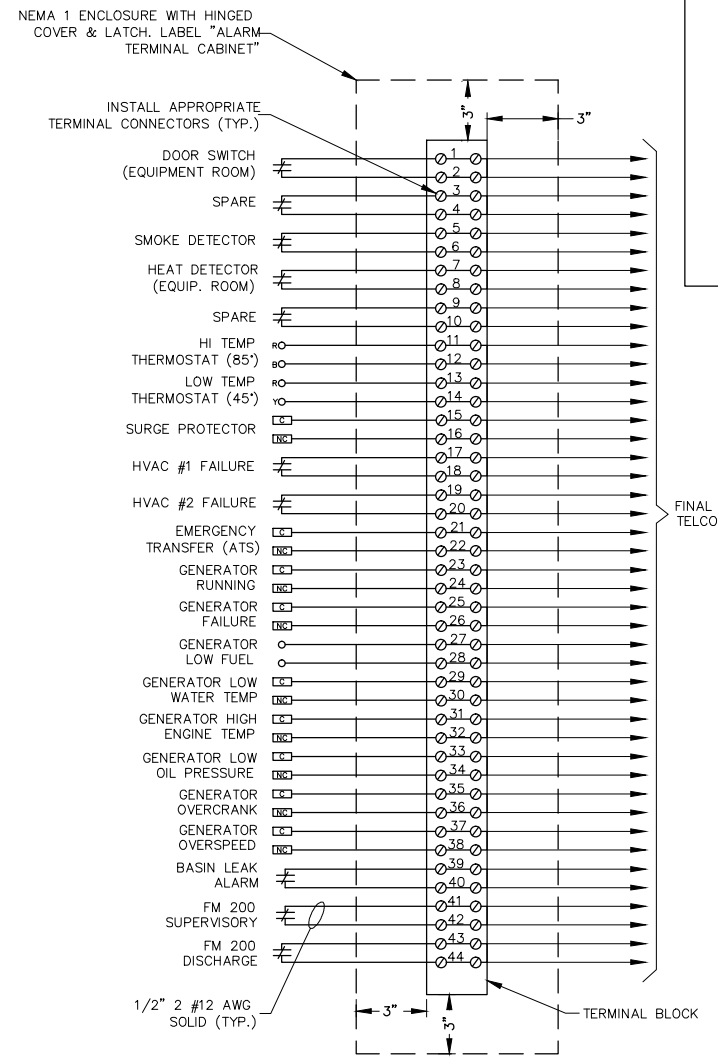


- NOTES:**
1. VERIZON WIRELESS TO TAP EXISTING 400A, 3 PHASE, 240 VOLT SERVICE BEFORE CT'S AS DIRECTED BY CMP. CENTRAL MAIN POWER CONTACT: PAUL DUPERE, ENERGY SERVICE SPECIALIST, 207-828-2882.
  1. VERIFY ALL WIRE SIZES WITH GENERATOR MANUFACTURER PRIOR TO CONSTRUCTION.
  2. PERMANENTLY LABEL CIRCUIT BREAKER & UTILITY METER AS VERIZON WIRELESS.

**ONE LINE RISER DIAGRAM-ELECTRIC**  
SCALE: N.T.S.

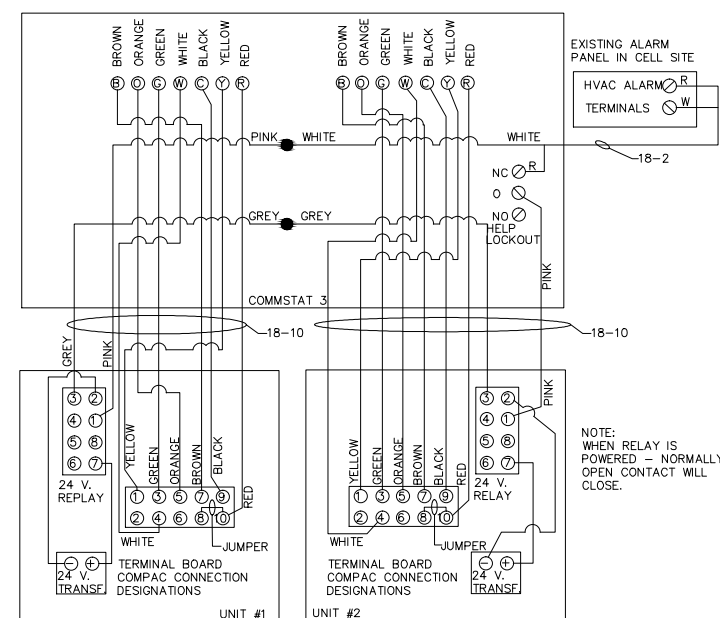
1



**ALARM TERMINAL PLAN**

SCALE: N.T.S.

2



**NOTE:**

1. CONFIRM & INSTALL IN ACCORDANCE WITH MFR SPECIFICATIONS.

**COMMSTAT 3 ALARM CONNECTIONS DETAIL**

SCALE: N.T.S.

3



VERIZON WIRELESS  
400 FRIBERG PARKWAY  
WESTBOROUGH, MA 01581-3956

**PORTLAND 2 ME**

CONSTRUCTION DRAWINGS

0	05/02/13	FOR SUBMITTAL
A	04/18/13	FOR COMMENT



Dewberry Engineers Inc.  
280 SUMMER STREET  
10TH FLOOR  
BOSTON, MA 02210  
PHONE: 617.695.3400  
FAX: 617.695.3310

DRAWN BY: MR

REVIEWED BY: MFT

CHECKED BY: PPB

PROJECT NUMBER: 50002925

JOB NUMBER: 50055368

SITE ADDRESS

202 WOODFORD STREET  
PORTLAND, ME 04103

SHEET TITLE

ONE-LINE RISER DIAGRAM

SHEET NUMBER

E-3