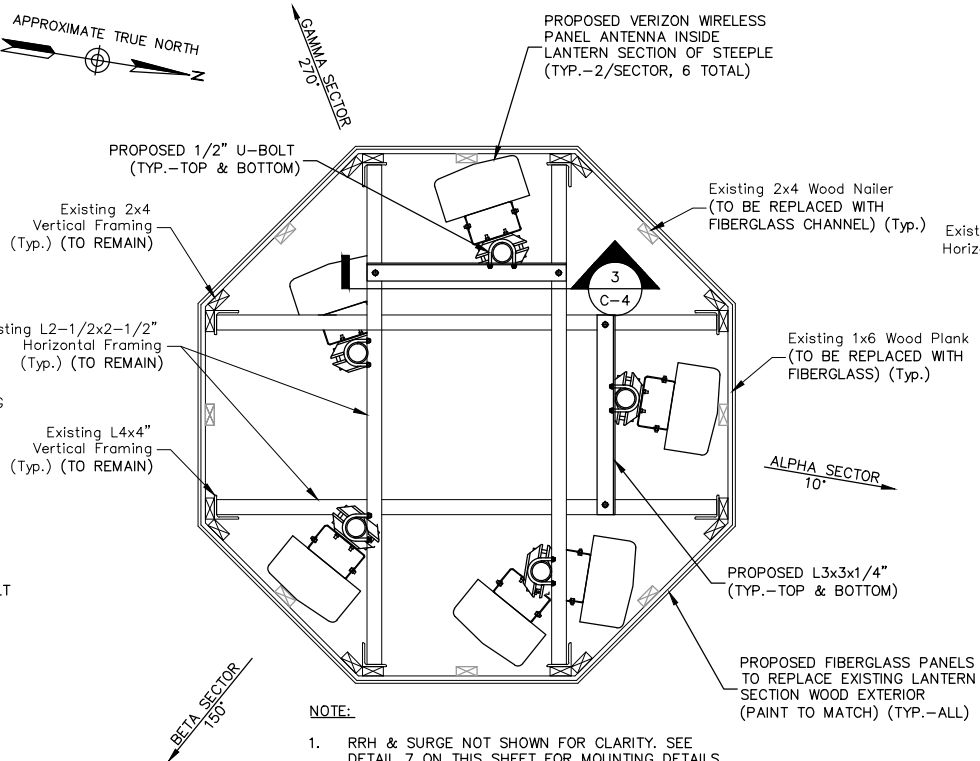


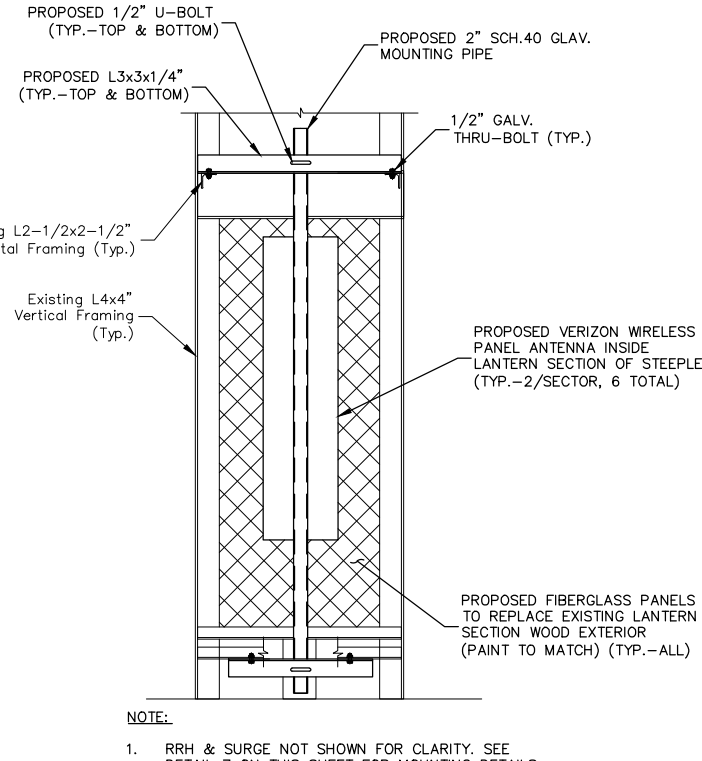
**GPS ANTENNA MOUNT**  
SCALE: N.T.S.

1



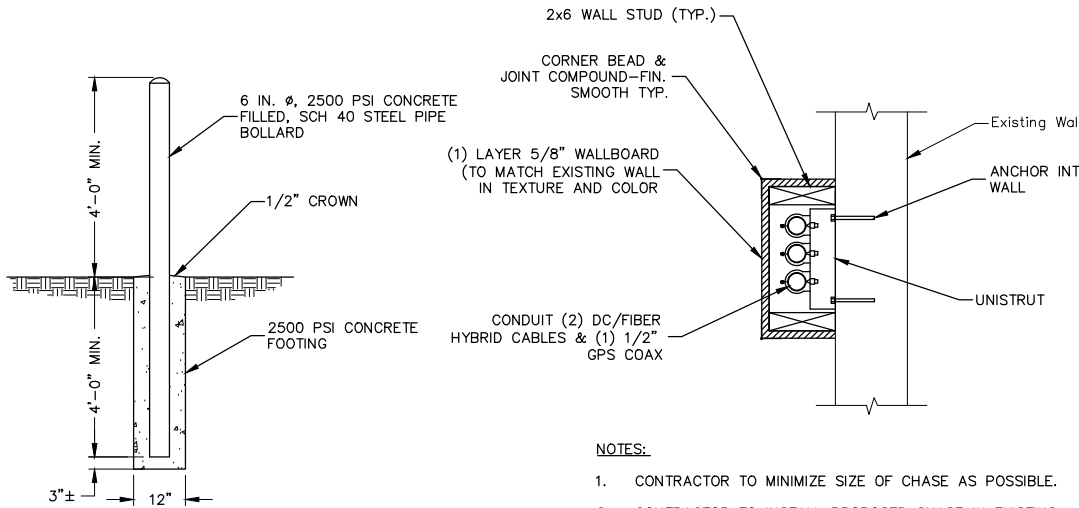
**ANTENNA MOUNTING PLAN**  
SCALE: 3/8"=1' FOR 11"x17"  
3/4"=1' FOR 22"x34"

2



**ANTENNA MOUNTING SECTION**  
SCALE: 3/8"=1' FOR 11"x17"  
3/4"=1' FOR 22"x34"

3

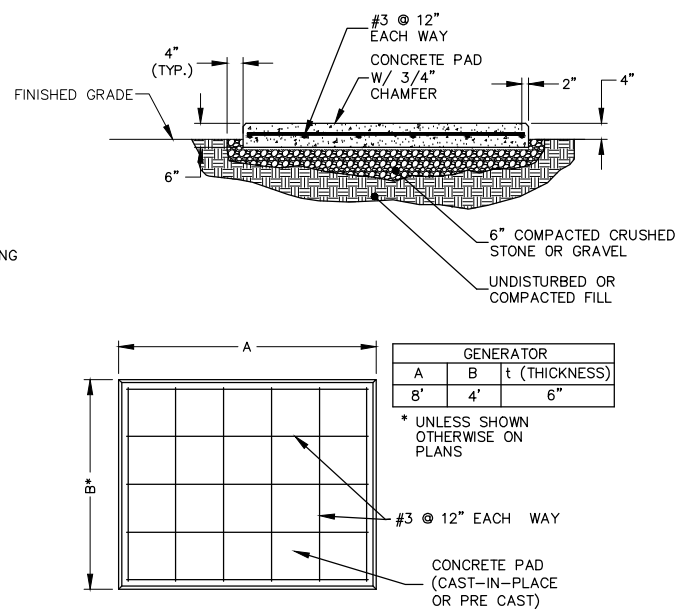


**VERTICAL CHASE DETAIL**  
SCALE: N.T.S.

5

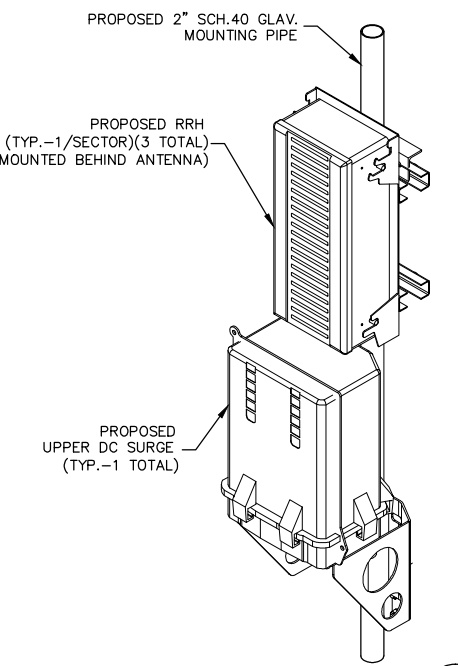
**BOLLARD**  
SCALE: N.T.S.

4



**OUTDOOR PAD FOR MINOR EQUIPMENT**  
SCALE: N.T.S.

6



**RRH/SURGE ATTACHMENT DETAIL**  
SCALE: N.T.S.

7

**PORTLAND 2 ME**

**CONSTRUCTION DRAWINGS**

0	05/02/13	FOR SUBMITTAL
A	04/18/13	FOR COMMENT

**Dewberry**  
Dewberry Engineers Inc.  
280 SUMMER STREET  
10TH FLOOR  
BOSTON, MA 02210  
PHONE: 617.695.3400  
FAX: 617.695.3310

DRAWN BY:	MR
REVIEWED BY:	MFT
CHECKED BY:	PPB
PROJECT NUMBER:	50002925
JOB NUMBER:	50055368
SITE ADDRESS	

202 WOODFORD STREET  
PORTLAND, ME 04103

SHEET TITLE	CONSTRUCTION DETAILS - I
SHEET NUMBER	A-4