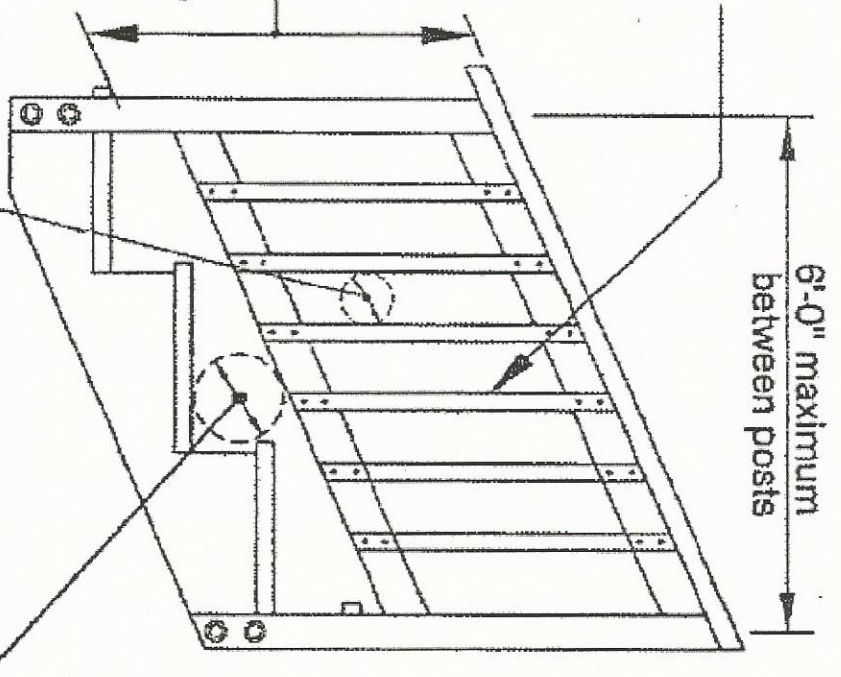


197 6/21

stair guard is required for stairs with a total rise of 30" or more; see **GUARD REQUIREMENTS** for more information

stair guard height: 34" min. measured from nosing of step



6'-0" maximum between posts

Openings for required guards on the sides of stair treads shall not allow a sphere 4-3/8" to pass through.

Triangular opening shall not permit the passage of a 6" diameter sphere.