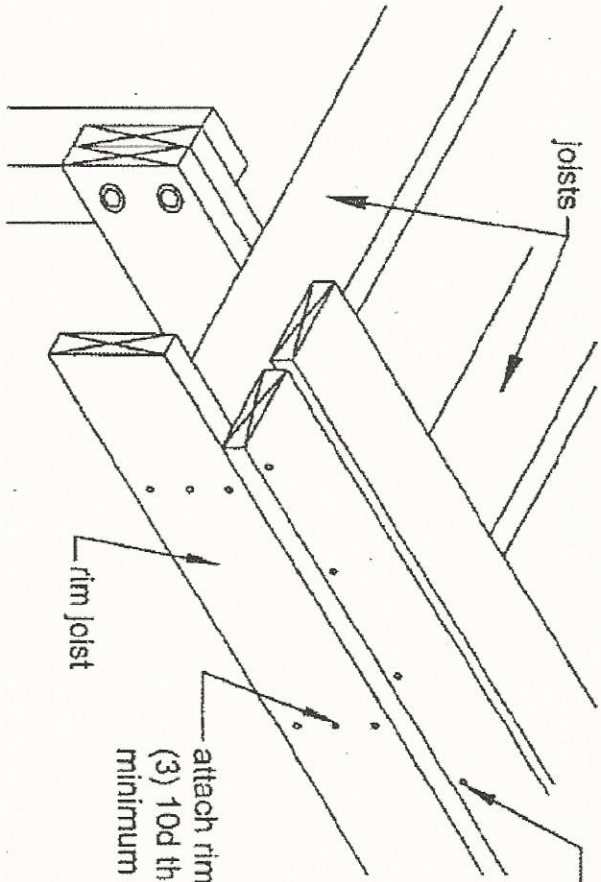
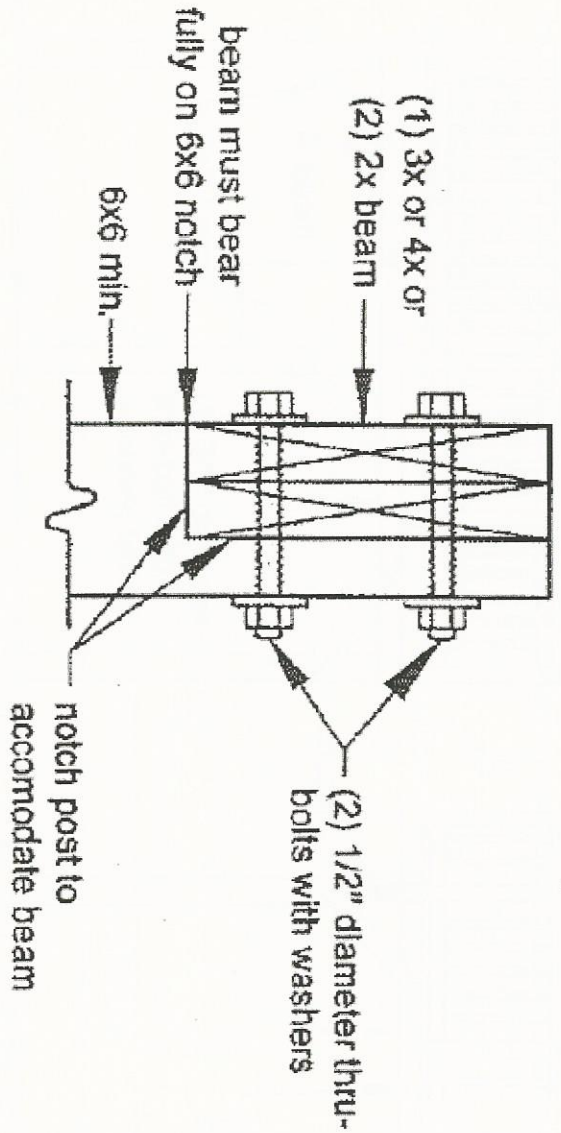


1999 Coyle



attach rim joist to end of each joist with
(3) 10d threaded nails or (3) #10 x 3"
minimum wood screws

secure decking to top of rim joist with
10d threaded nails or #10 x 3"
minimum wood screws @ 6" o.c.



(1) 3x or 4x or
(2) 2x beam

beam must bear
fully on 6x6 notch

6x6 min.

notch post to
accommodate beam

(2) 1/2" diameter thru-
bolts with washers