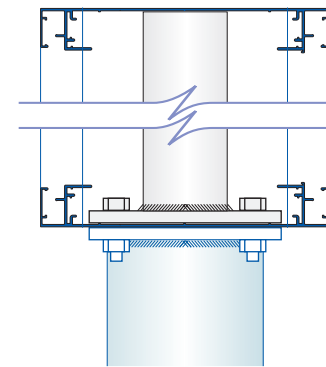
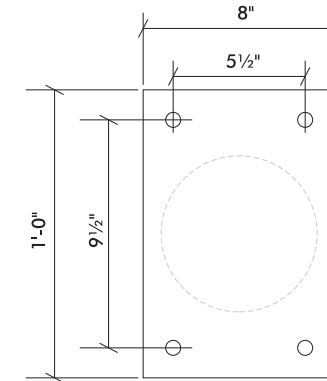


DOUBLE FACE NON-ILLUMINATED PYLON
SCALE: 1/2" = 1'-0" (1) REQUIRED



DETAIL SECTION
SCALE: 1 1/2" = 1'-0"



1/2" STEEL PLATES

DETAIL - PLATES
SCALE: 1 1/2" = 1'-0" (2) REQUIRED

ALUMINUM CABINET, S/C 1-PART D/F BODY #1924,
2-PART #1929 WITH RETAINER #1944, PAINTED REFLEX BLUE,

3mm DIBOND FACES (CAUTION YELLOW) FACES WITH VINYL
GRAPHICS:
GSP ROYAL BLUE (220-87)
GSP TOMATO RED (220-13)
GSP WHITE (220-10)

REMOVE PLATE AT TOP OF EXISTING 6 1/2" OD STEEL PIPE
NEW PIPE SECTION WITH WELDED PLATE AT TOP TO SLEEVE
INTO AND WELDED TO EXISTING PIPE,
PAINT POLE REFLEX BLUE IN FIELD



EXISTING CONDITION

Woodford's Garage 18550

SHOP DRAWING

Location: 260 Woodford Street

Portland, Maine

Drawing No.: 1 of 2

Drawn by: BK Rep.: DO

Date: 08.14.2014

Revised:

Lead No.: GL021306

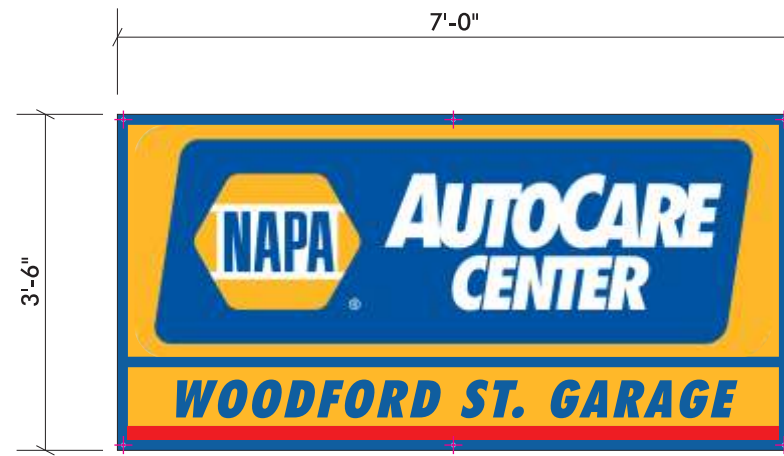
Gen Ref.:



Neokraft
SIGNS

Neokraft Signs Inc. <http://www.neokraft.com>
686 Main Street T:207.782.9654 F:782.0009
Lewiston, Maine 04240 1.800.339.2258

© COPYRIGHT 2014, BY NEOKRAFT SIGNS, INC.



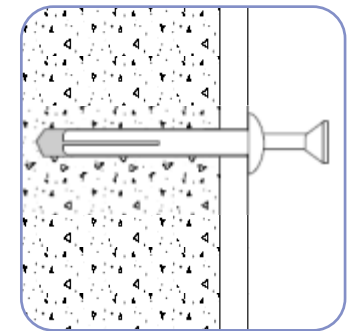
3mm DIBOND PANEL (CAUTION YELLOW) WITH VINYL GRAPHICS:
 GSP ROYAL BLUE (220-87)
 GSP TOMATO RED (220-13)
 GSP WHITE (220-10)

MOUNT TO BRICK WALL WITH (6) PAINTED FASTENERS

NON-ILLUMINATED WALL ID

SCALE: 1/2" = 1'-0"

(1) REQUIRED



ZAMAC HAMMER SCREW™ DRIVE ANCHORS AS MFG BY POWERS FASTENERS, NEW ROCHELLE, NY OR EQUAL:

ZAMAC ALLOY WITH CARBON OR STAINLESS STEEL, ONE-STEP DRIVE ANCHOR FEATURING A PHILLIPS TYPE HEAD AND A SCREW THREAD FOR USE IN CONCRETE, BLOCK, BRICK OR STONE

SIZE RANGE: 1/4" DIA. x 3/4" TO 3" LONG

DRIVE-ANCHOR MOUNTING DETAIL

NOT TO SCALE



PHOTO-COMPOSITE

SCALE: 3/16" = 1'-0" ±

Woodford's Garage 18550

SHOP DRAWING

Location: 260 Woodford Street

Portland, Maine

Drawing No.: 2 of 2

Drawn by: BK Rep.: DO

Date: 08.14.2014

Revised:

Lead No.: GL021306

Gen Ref.:



Neokraft Signs Inc. <http://www.neokraft.com>
 686 Main Street T:207.782.9654 F:782.0009
 Lewiston, Maine 04240 1.800.339.2258

© COPYRIGHT 2014, BY NEOKRAFT SIGNS, INC.