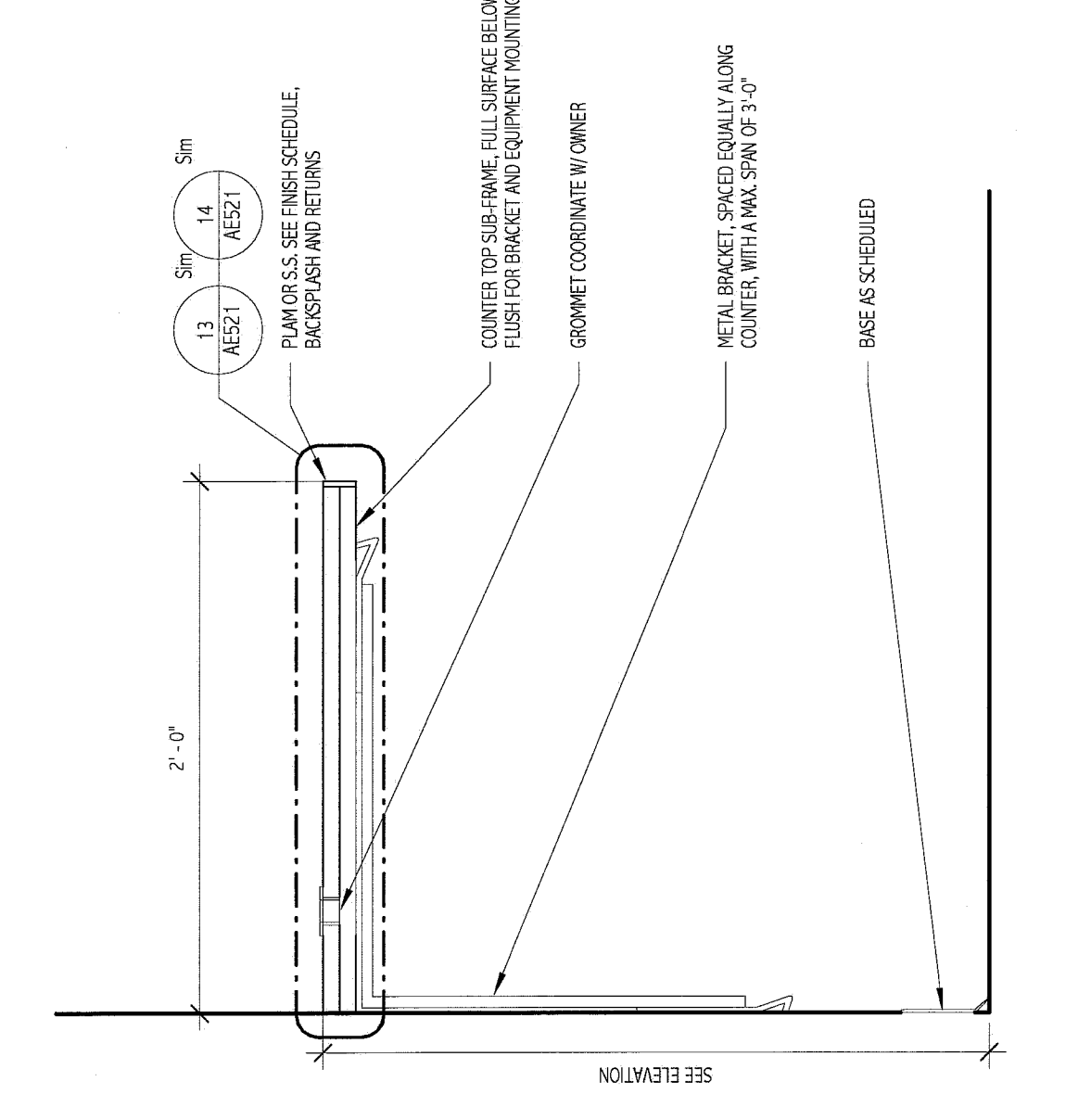
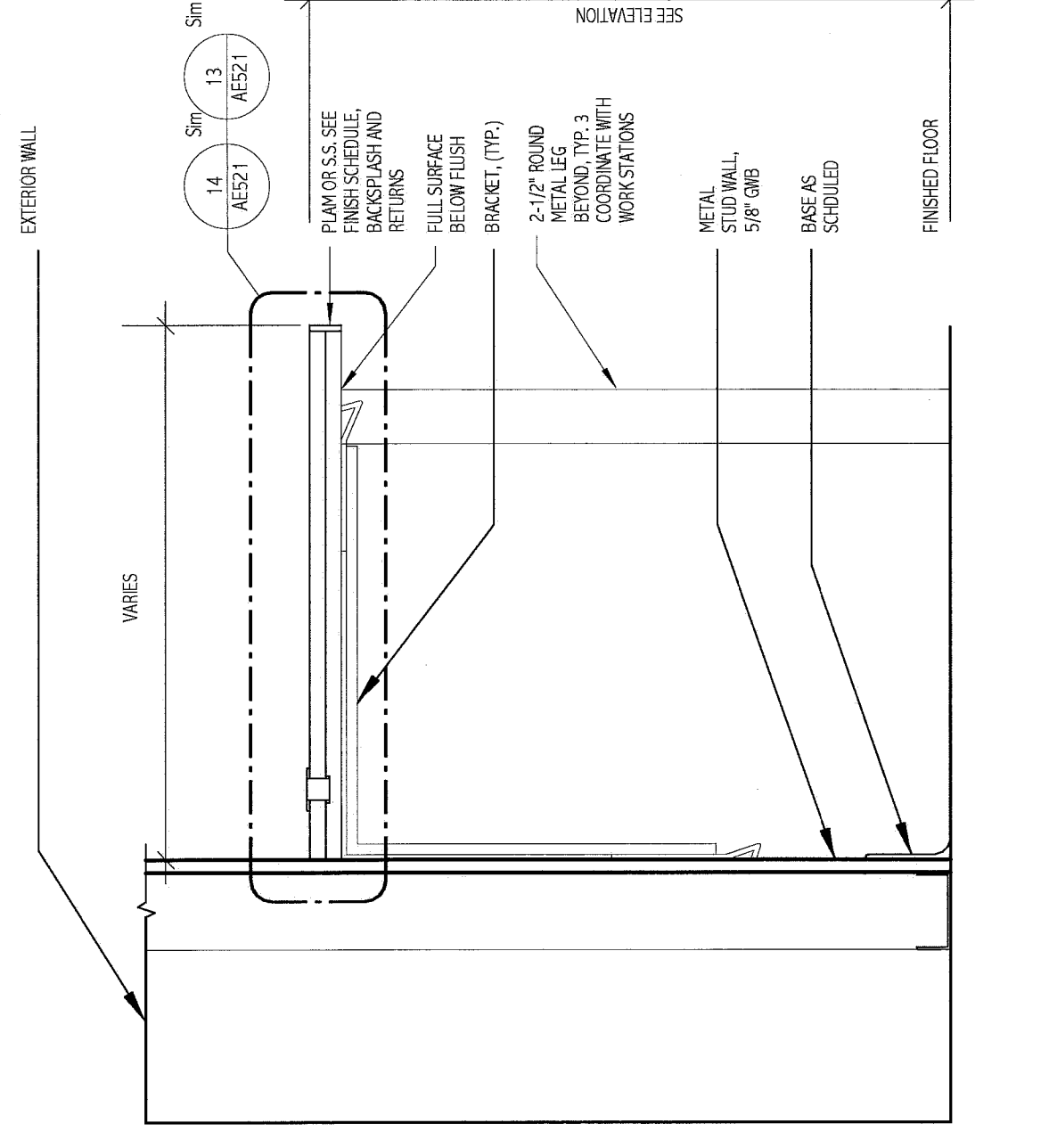


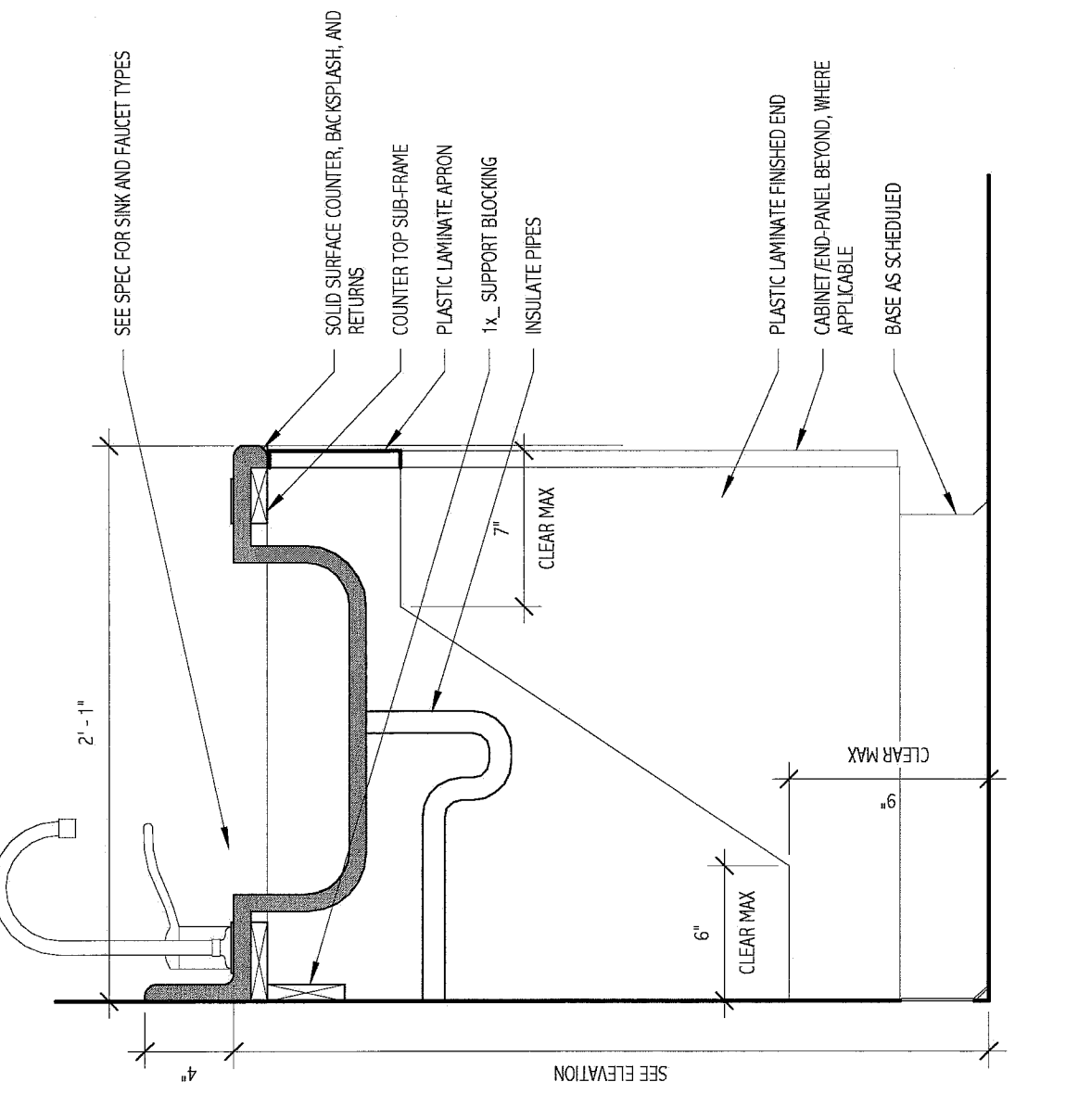
1 CASEWORK DETAIL
1 1/2" = 1'-0"



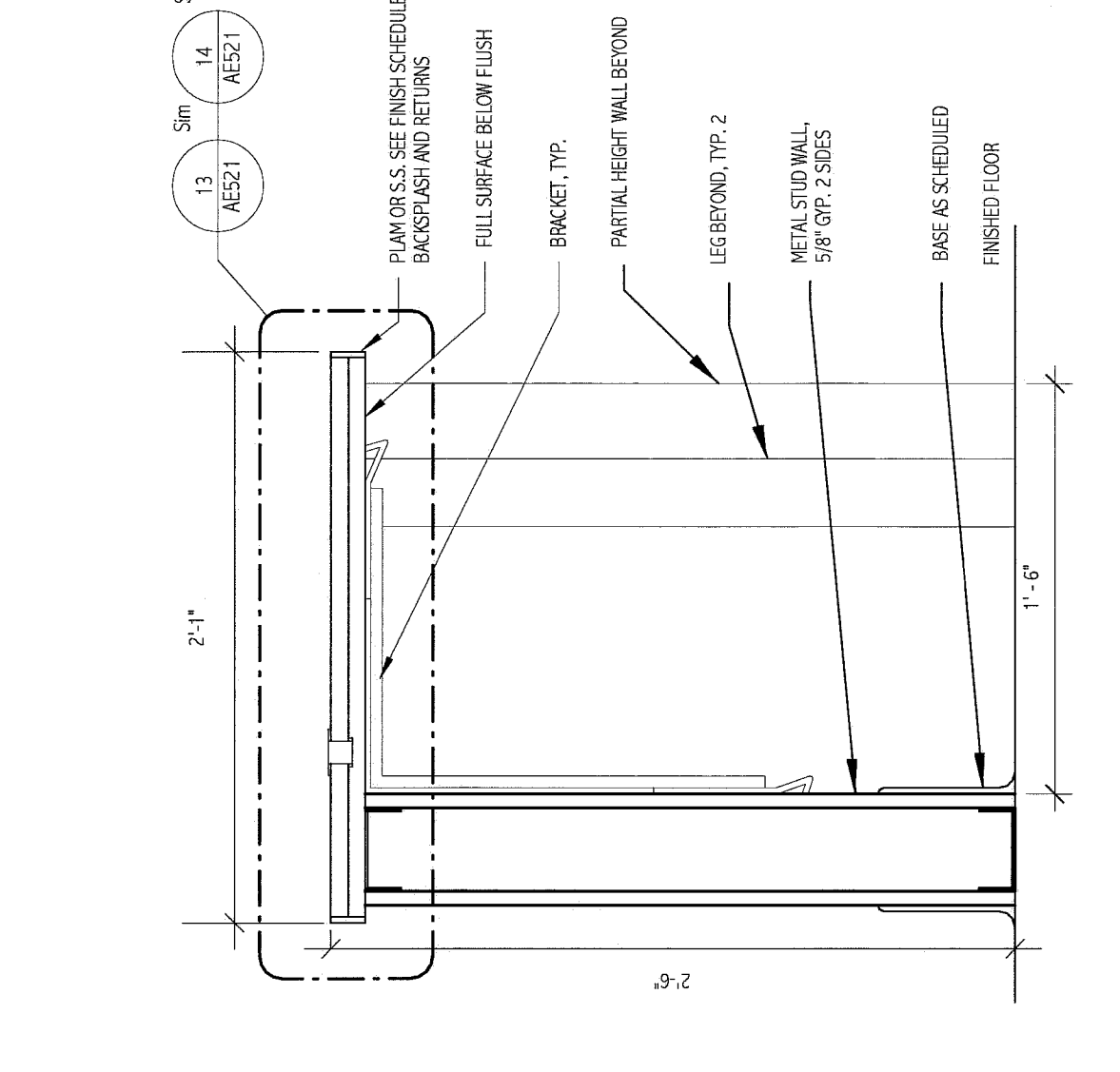
2 CASEWORK DETAIL
1 1/2" = 1'-0"



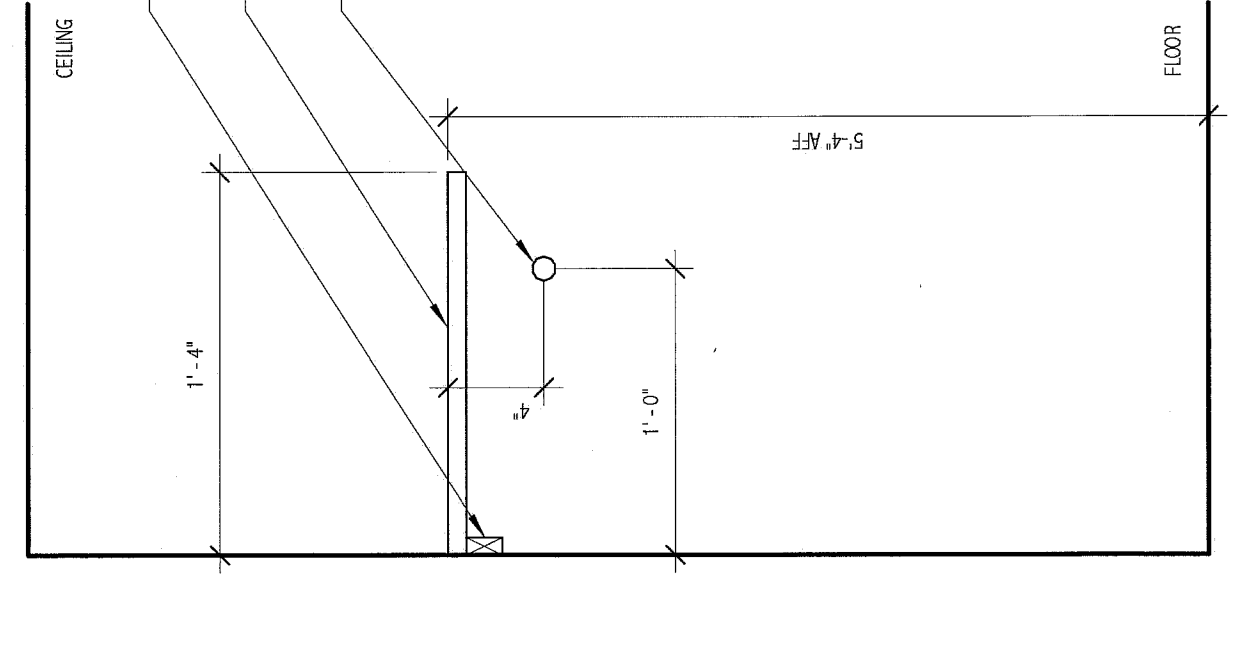
3 CASEWORK DETAIL
1 1/2" = 1'-0"



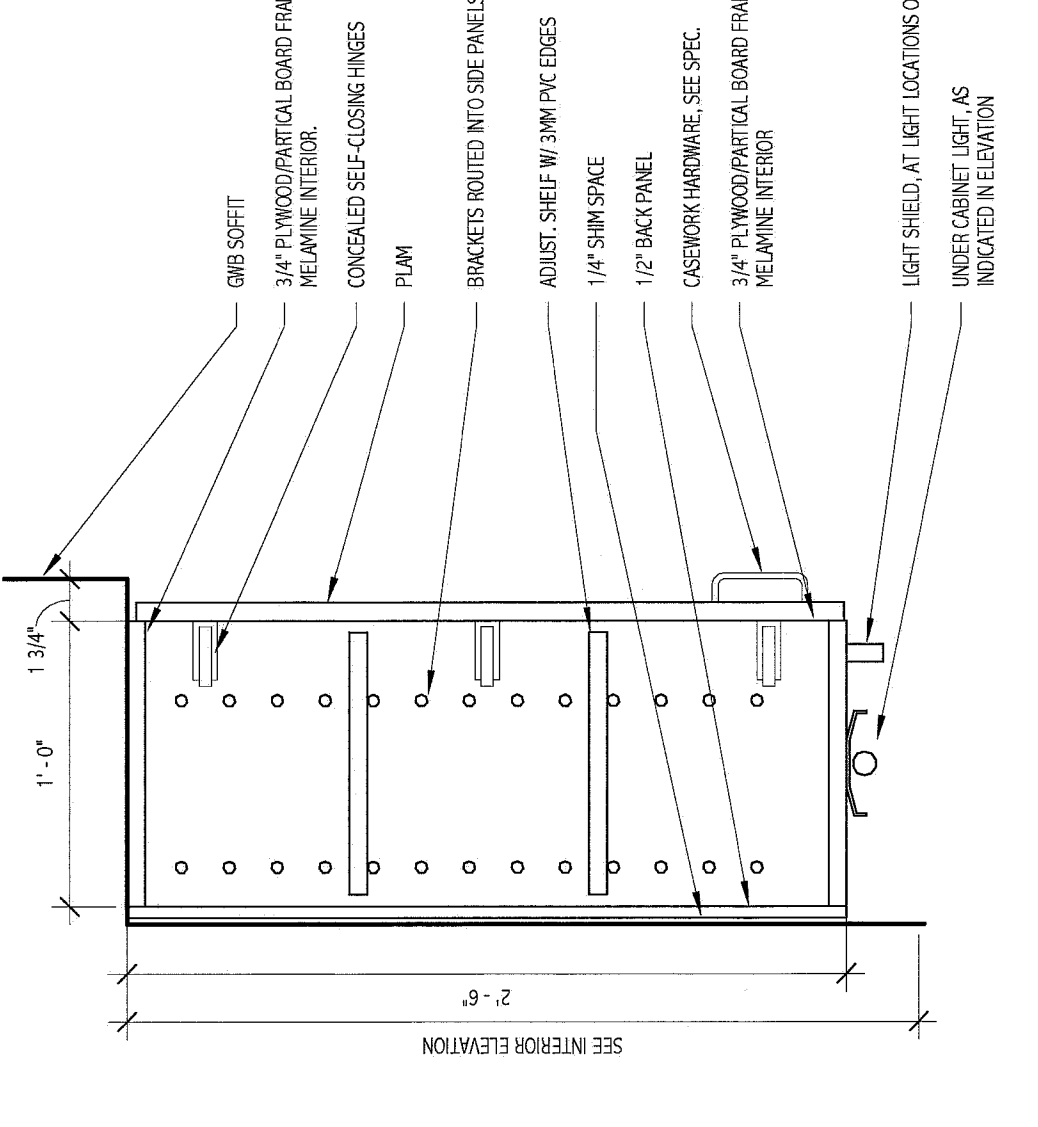
4 CASEWORK DETAIL
1 1/2" = 1'-0"



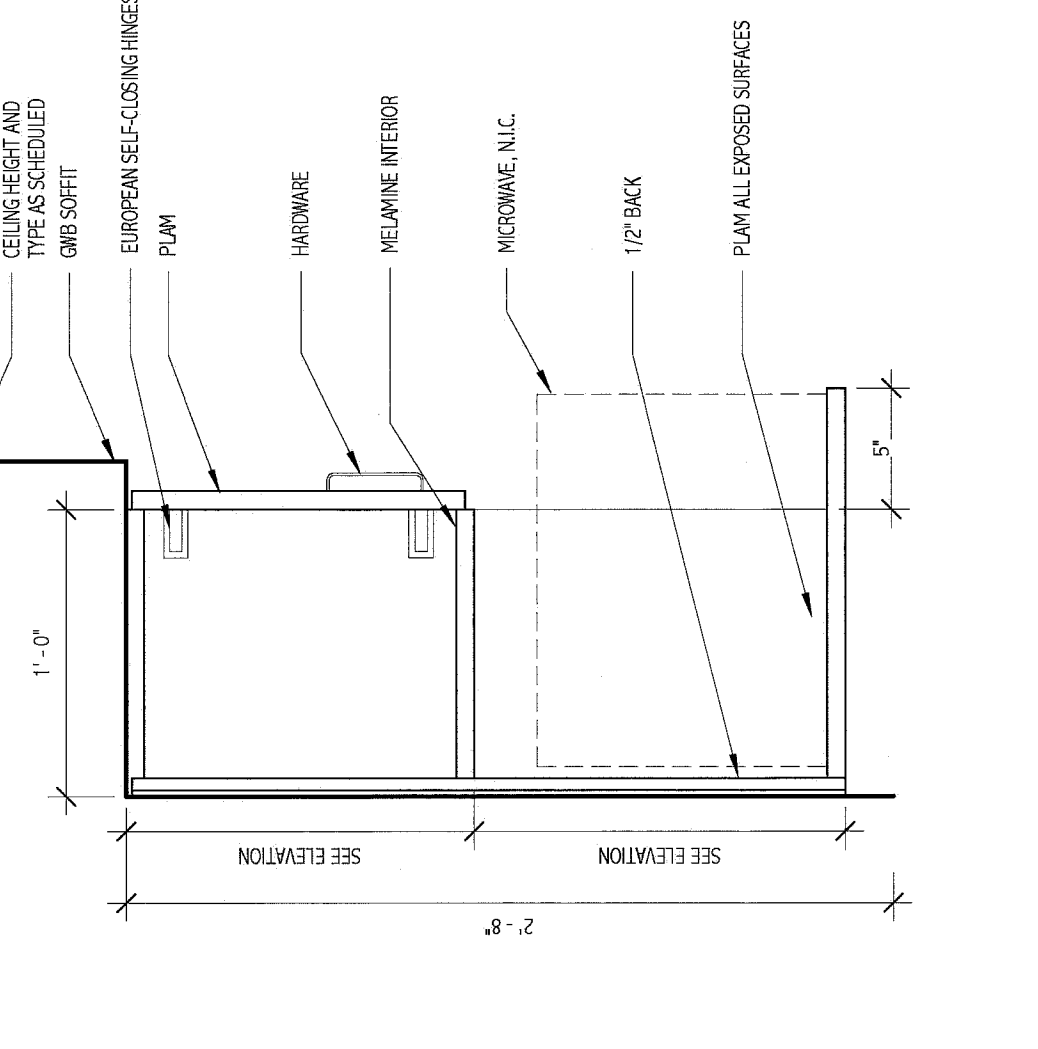
5 CASEWORK DETAIL
1 1/2" = 1'-0"



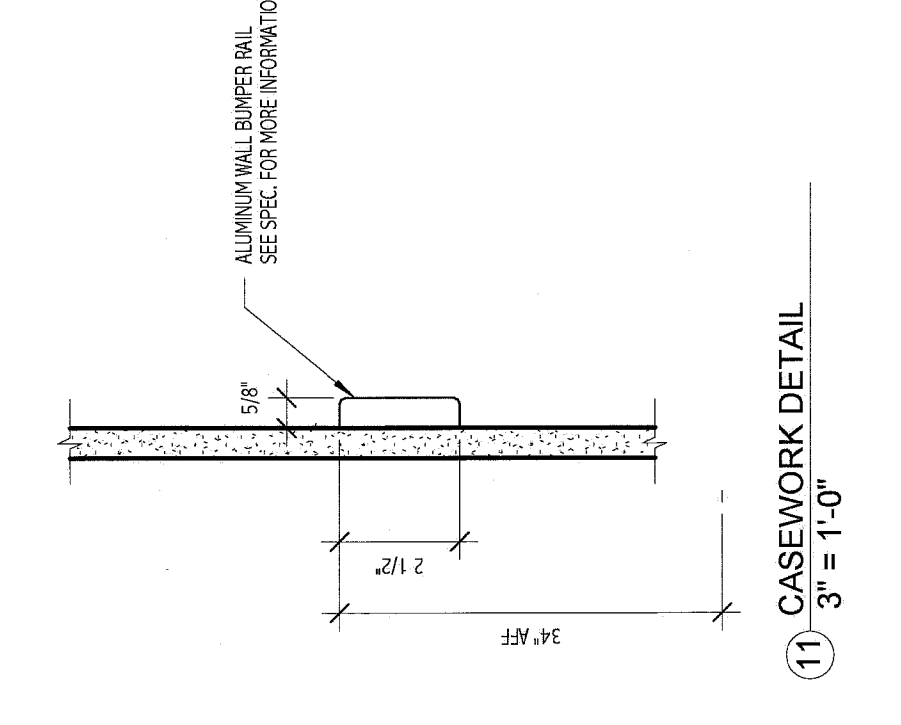
6 CASEWORK DETAIL
1 1/2" = 1'-0"



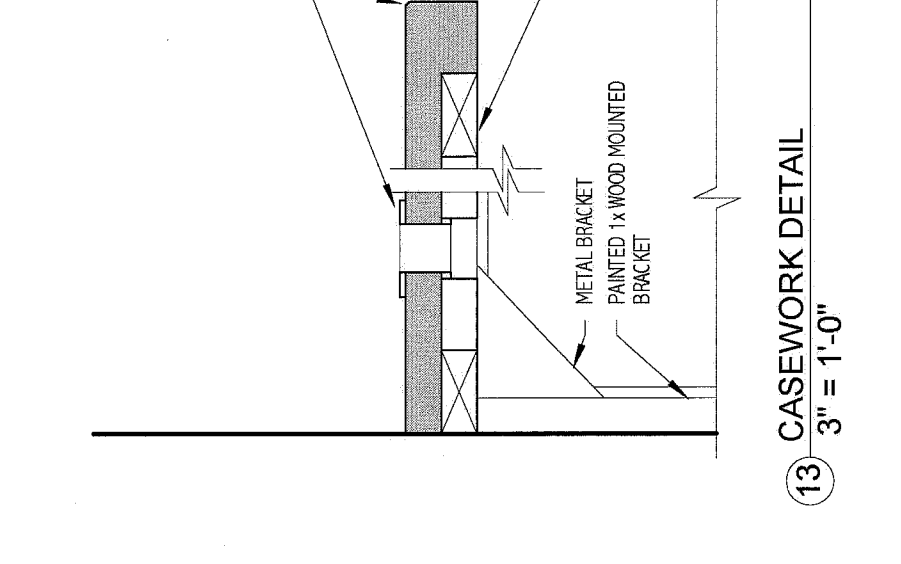
7 CASEWORK DETAIL
1 1/2" = 1'-0"



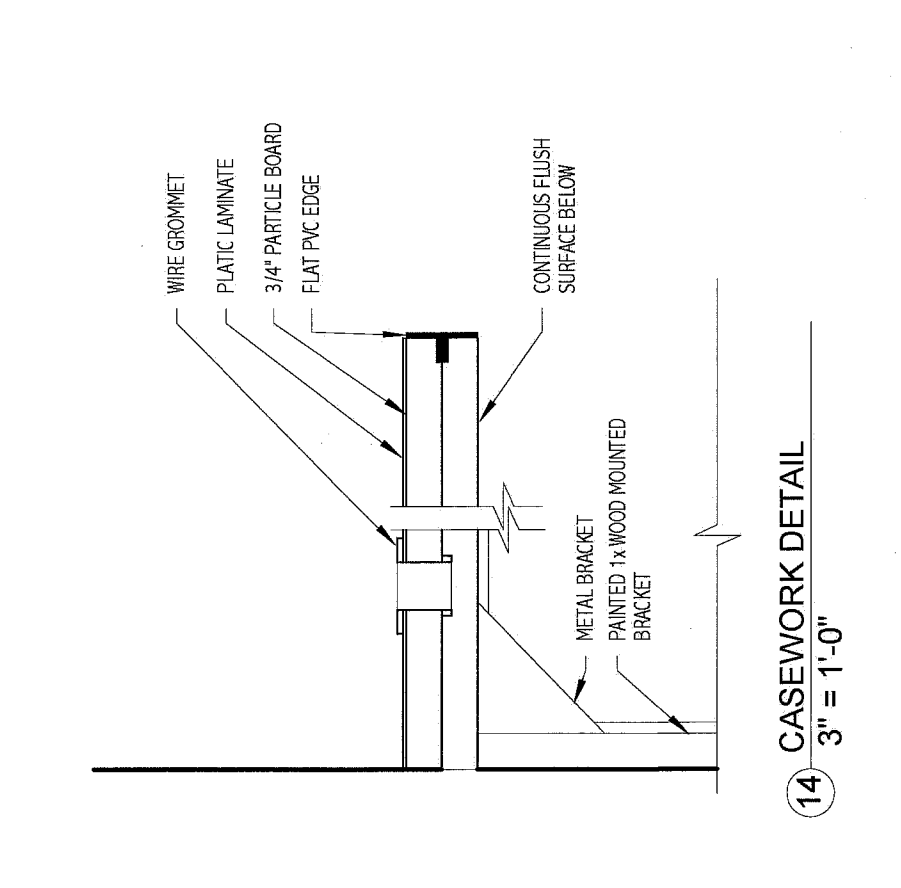
8 CASEWORK DETAIL
1 1/2" = 1'-0"



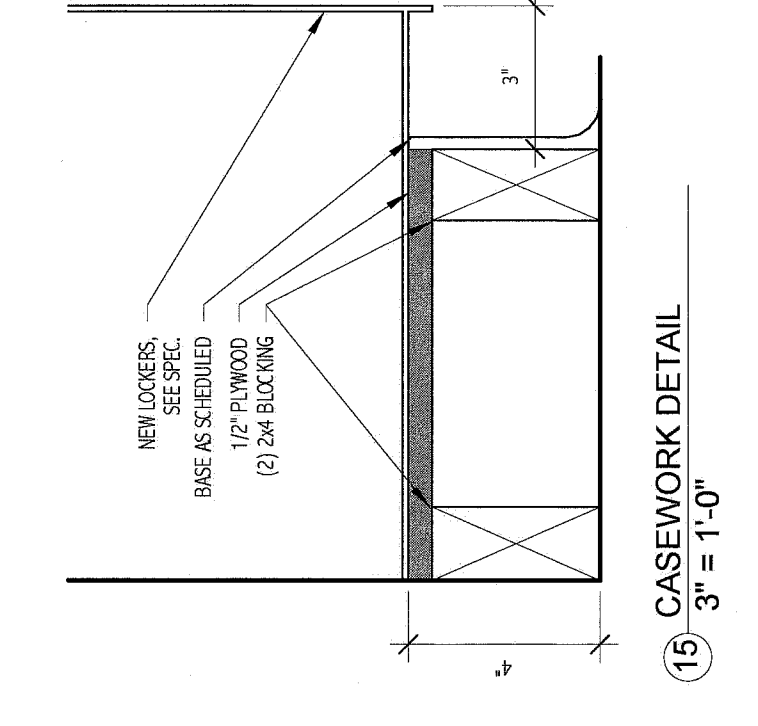
9 CASEWORK DETAIL
3" = 1'-0"



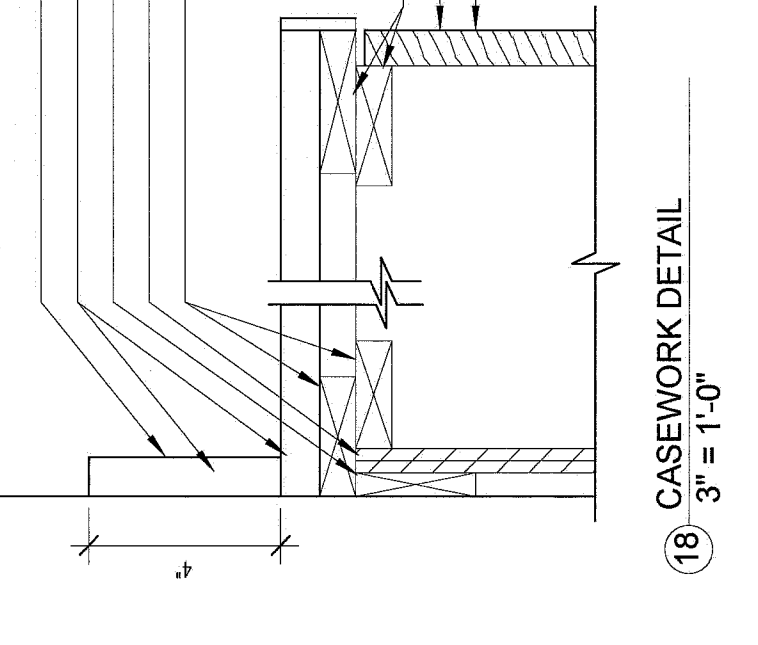
10 CASEWORK DETAIL
3" = 1'-0"



11 CASEWORK DETAIL
3" = 1'-0"

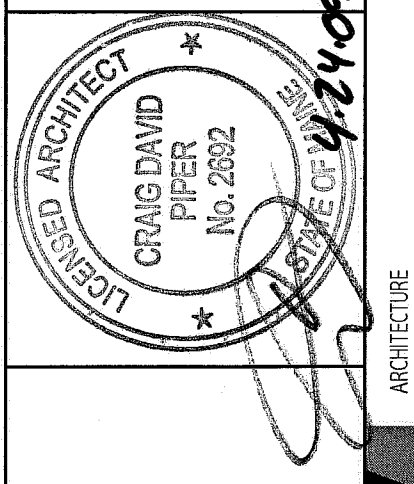


12 CASEWORK DETAIL
3" = 1'-0"



13 CASEWORK DETAIL
3" = 1'-0"

ISSUED FOR CONSTRUCTION
4-24-09



PROJECT OWNER: A+ Integrated
PROJECT MANAGER: CFP
JOB ARCHITECT: CH
DATE: 4-24-09
SCALE: ARCHITECTURE: 0"
GRAPHIC SCALE: 0' 1'

PROJECT No. AE521
SHEET No. 08053

SMART
Maine Medical Center - Office of Medical Education

Casework Details