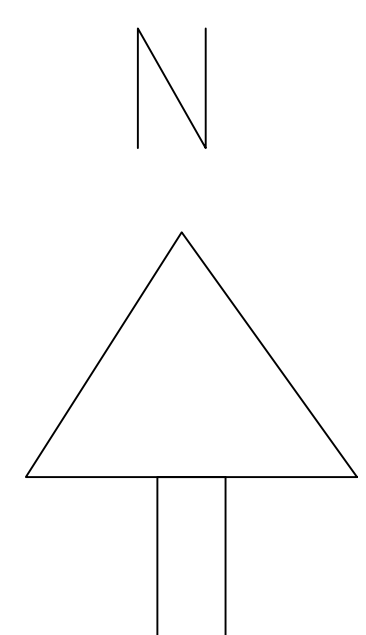
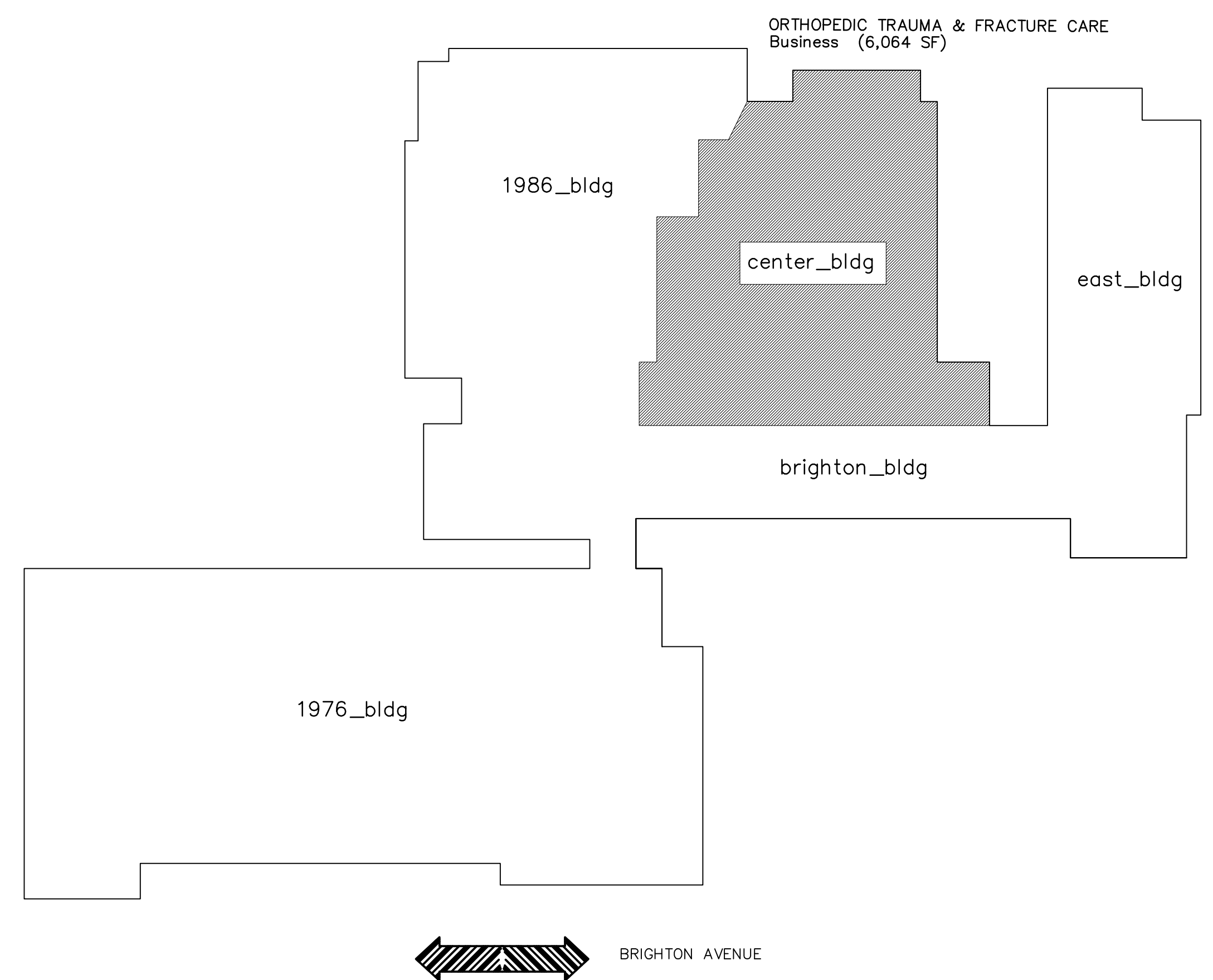


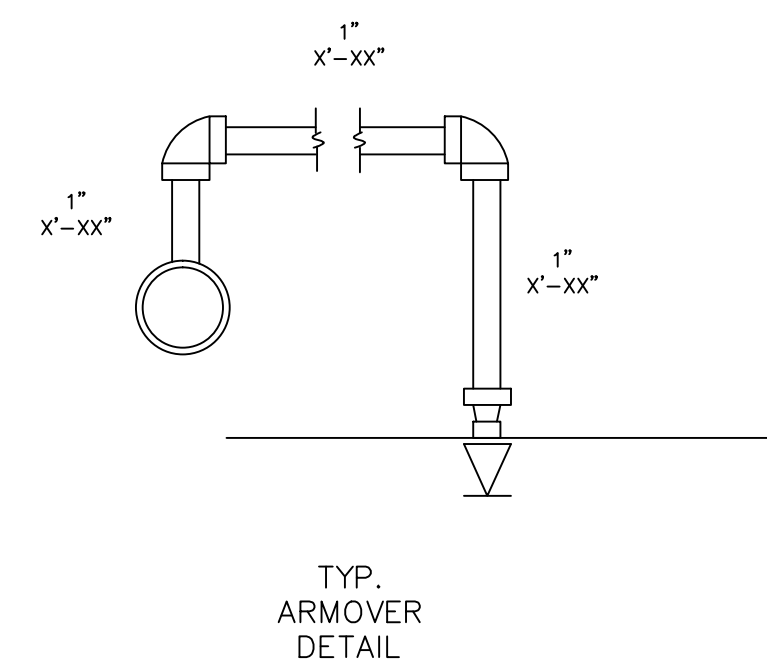
- GRAPHIC LEGEND:**
- EXISTING TO REMAIN AREA OUTSIDE OF SCOPE OF WORK
 - EXISTING TO REMAIN AREA OUTSIDE OF SCOPE OF WORK
 - RECESSED LIGHT FIXTURE
 - RECESSED LIGHT FIXTURE
 - RECESSED LIGHT FIXTURE
 - HVAC DIFFUSER
 - SMOKE DETECTOR
 - FIRE ALARM
 - SPRINKLER HEAD RELOCATED
 - SPRINKLER HEAD RELOCATED
 - EXISTING SPRINKLER HEAD
 - NEW SPRINKLER HEAD
 - ACOUSTICAL TILE CEILING
 - GYPSUM CEILING



SYSTEM CLASSIFICATION:
 A WET PIPE SYSTEM OF AUTOMATIC SPRINKLERS INSTALLED IN HEATED AREAS. ALL AREAS ARE LIGHT HAZARD CLASSIFICATION UNLESS NOTED OTHERWISE ON DRAWING IN ACCORDANCE WITH NFPA-13, STANDARD FOR THE INSTALLATION OF SPRINKLER SYSTEMS, 2010 EDITION.

SCOPE OF WORK:
 RELOCATE SPRINKLER HEADS TO ACCOMMODATE NEW WALL AND CEILING FIXTURE LOCATIONS FOR LIGHT HAZARD OCCUPANCY. CHANGE EXISTING SURFACE MOUNT SPRINKLERS TO SEMI RECESSED WHERE NOTED AND LEAVE IN EXISTING LOCATIONS.

GENERAL NOTES:
 ALL THREADED PIPE IS TO BE SCH. 40 BLACK STEEL U/N.
 ALL GROOVED PIPE IS TO BE SCH. 10 BLACK STEEL U/N.
 ALL THREADED PIPE FITTINGS ARE TO BE BLACK CAST IRON, CLASS 125 U/N.
 DIMENSIONS SHOWN ON THREADED PIPE ARE CENTER TO CENTER U/N.
 DIMENSIONS SHOWN ON GROOVED PIPE ARE "CUT" LENGTHS U/N.
 PENDENT SPRINKLERS IN ACOUSTIC TILE CEILINGS ARE NOT LOCATED IN THE CENTER OF CEILING TILE MODULES.
 SUFFICIENT HEAT TO PREVENT FREEZING OF THE WET SPRINKLER SYSTEM IS REQUIRED TO BE FURNISHED BY THE BUYER/OWNER.



43 VIKING VK302 - PART NUMBER 18021
 155' QUICK RESPONSE / STANDARD COVERAGE
 SEMI RECESSED CHROME W/ CHR ESCUTCHEON
 1/2"x1/2" K=5.6

DEAN & ALLYN, INC.
 FIRE PROTECTION • SPECIAL HAZARD
 PO BOX 709, GRAY, MAINE 04039
 (207)657-5646 FAX:(207)657-5647

FIRE PROTECTION/2ND FLR CENTER BLDG

		DANA A. STEWART NICET IV - #064544		DRAWING TITLE: MAINE MEDICAL CENTER ORTHO FRACTURE TRAUMA RENOVATION 335 BRIGHTON AVE CAMPUS PORTLAND, ME 04102		REV. 0 NO. OF SPRINKLERS SHOWN ON THIS SHEET 43 NO. OF SPRINKLERS ON JOB 43	
APPROVED BY	DATE	SURVEYED BY	PLAN	JOB:	CONTRACT WITH: HEBERT CONSTRUCTION PHONE: 207-783-2091		
///	///	DRAWN BY	DAN	02/18/13	9 GOULD ROAD-LEWISTON, ME 04240 FAX: 207-782-4938		
///	///	CHECKED BY	AT DEAN & ALLYN, INC	SCALE	1/4"=1'-0" U/N		
///	///	DATE	12/18/13	SHEET NO.	1 OF 1		
///	///	DATE	12/18/13	CONTRACT NO.	C131126		