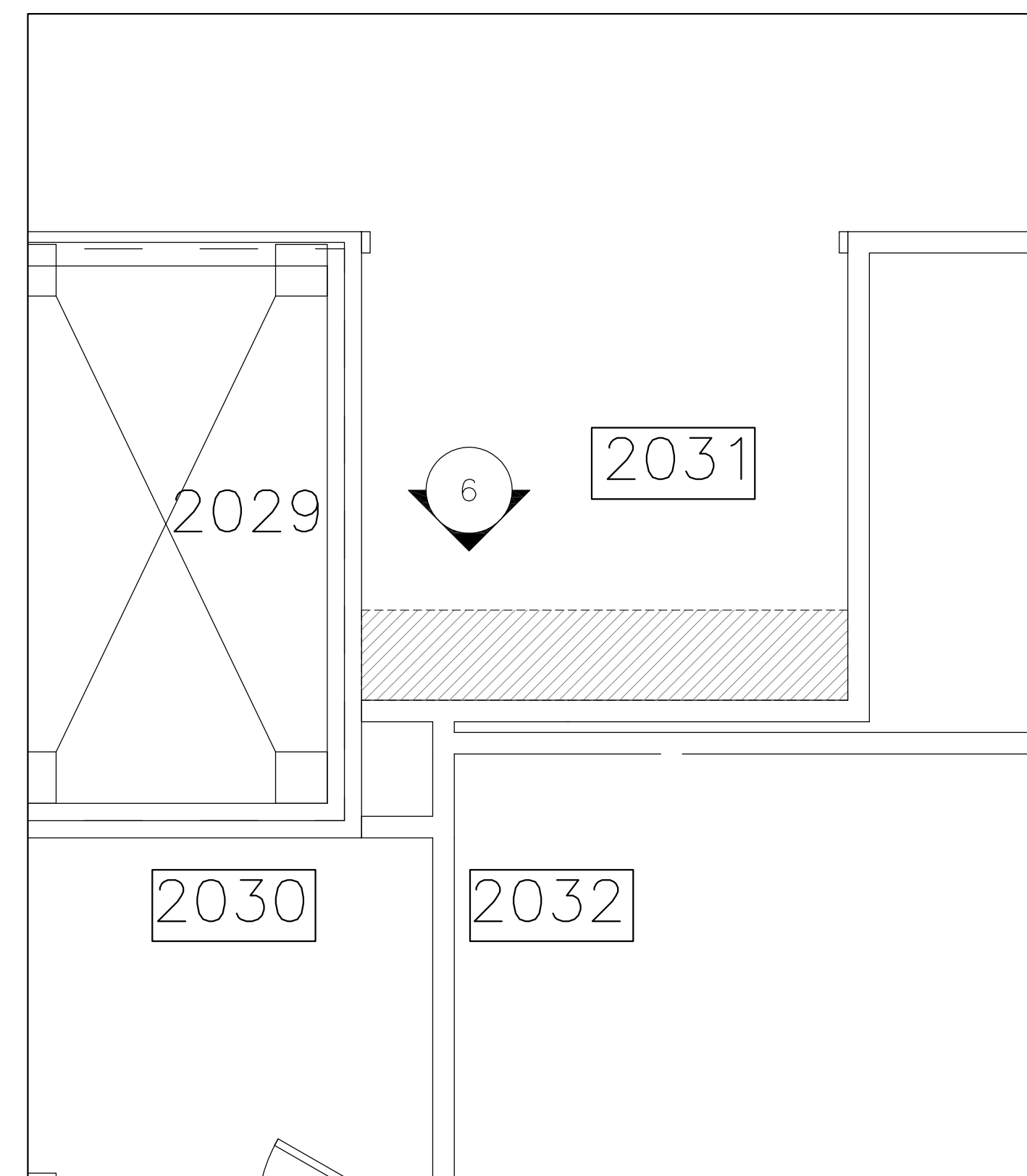
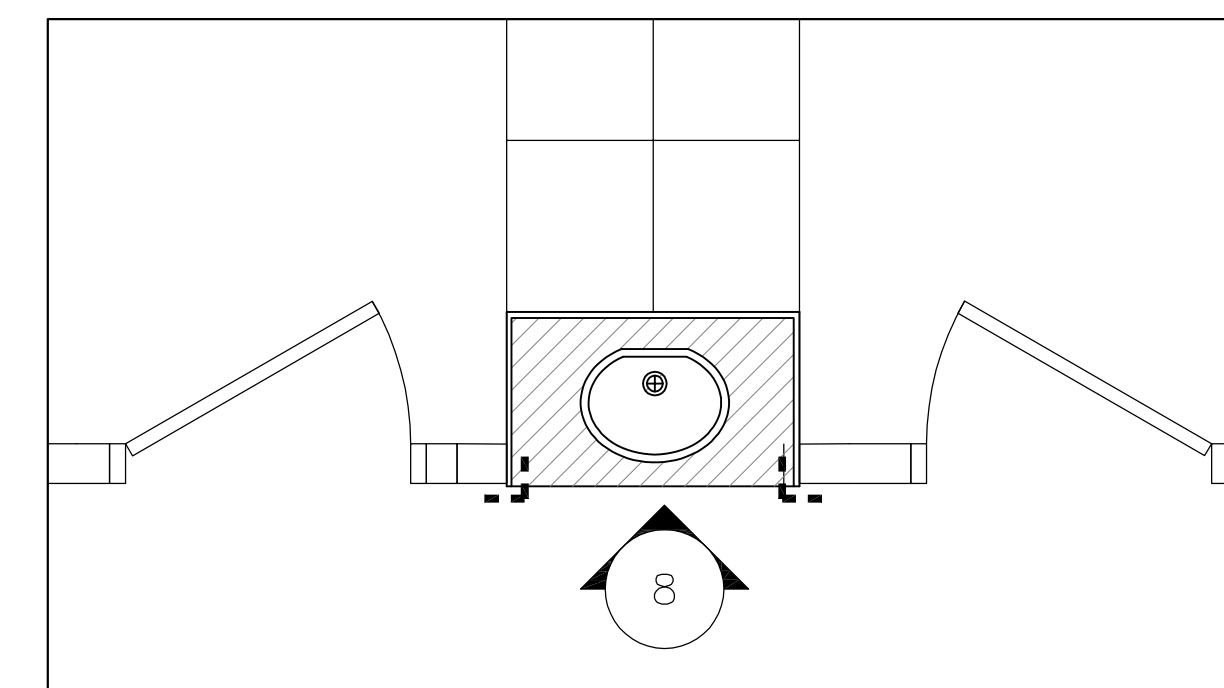


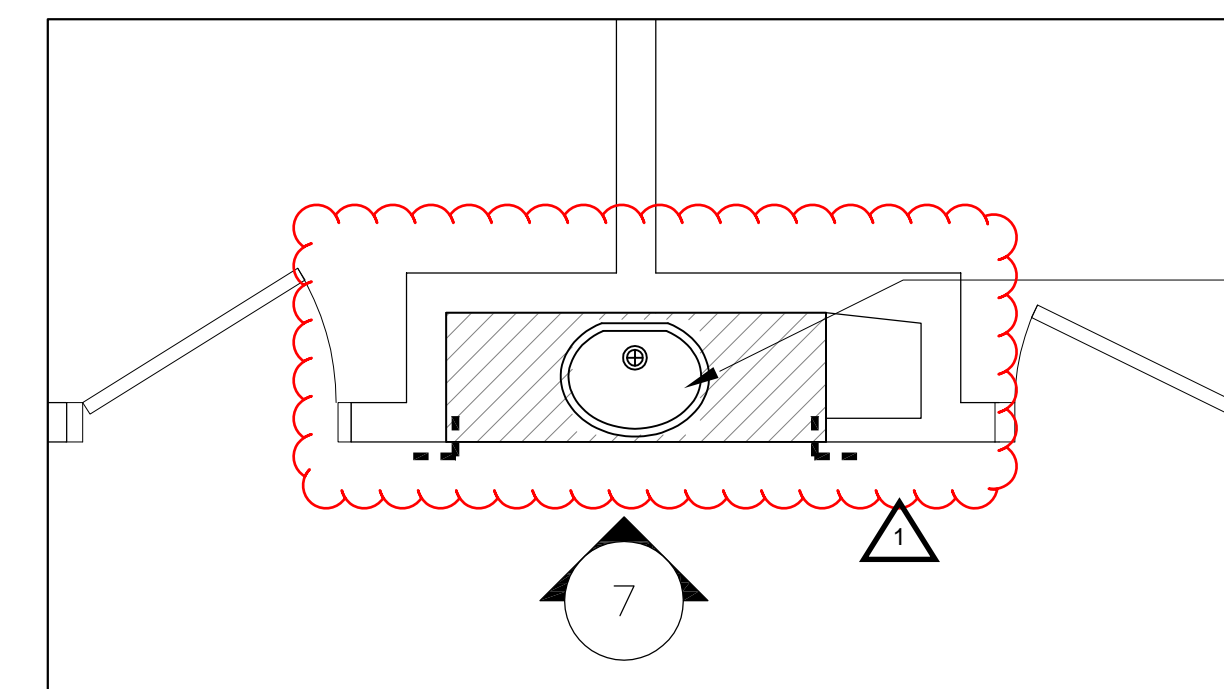
MILLWORK CASEWORK - (3/8" PLAN VIEW)  
FLOOR 1



MILLWORK CASEWORK - (3/8" PLAN VIEW)  
FLOOR 2

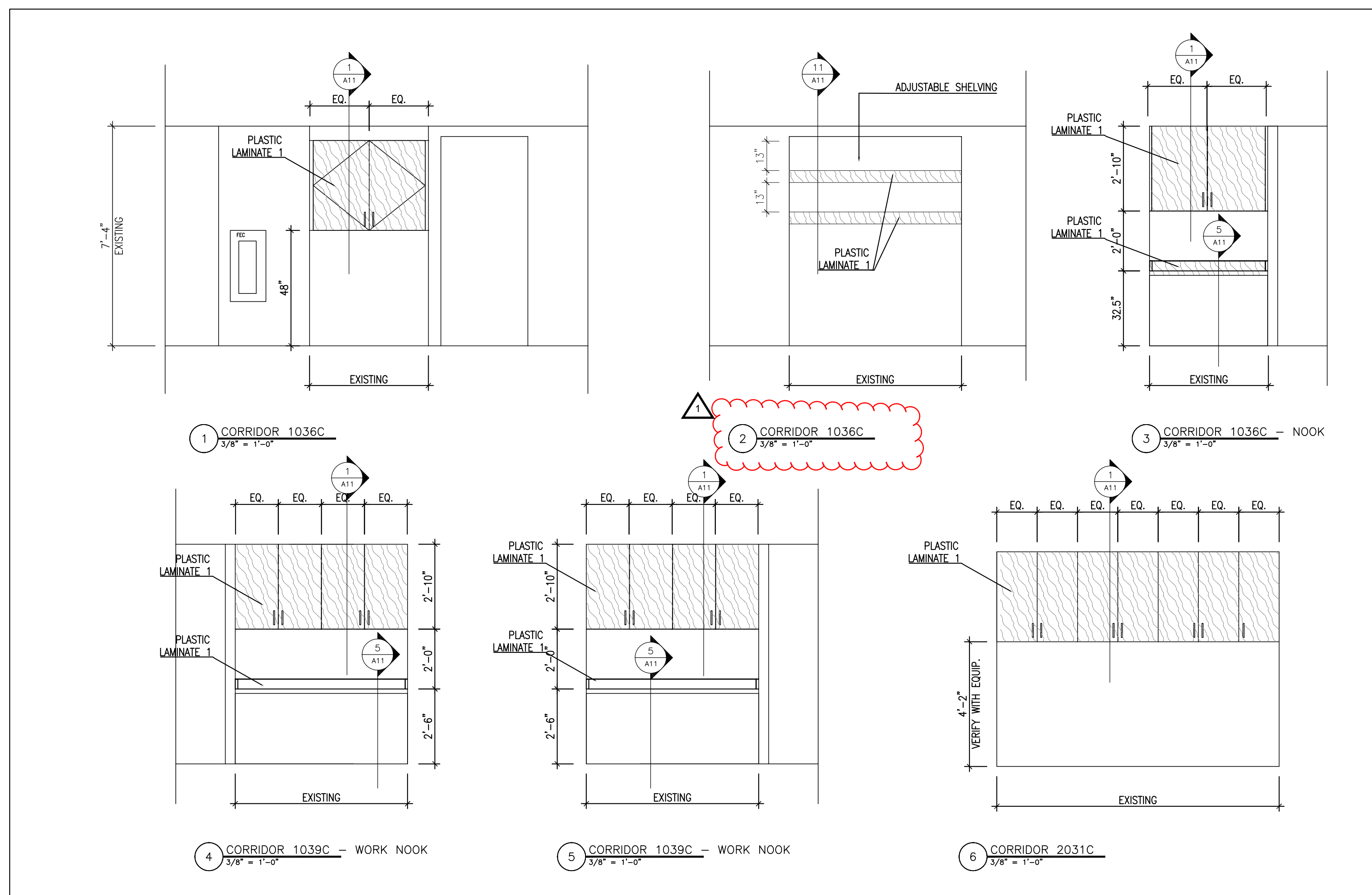


TYPICAL NURSE'S HAND WASHING STATIONS  
(1/2" PLAN VIEW) FLOOR 2

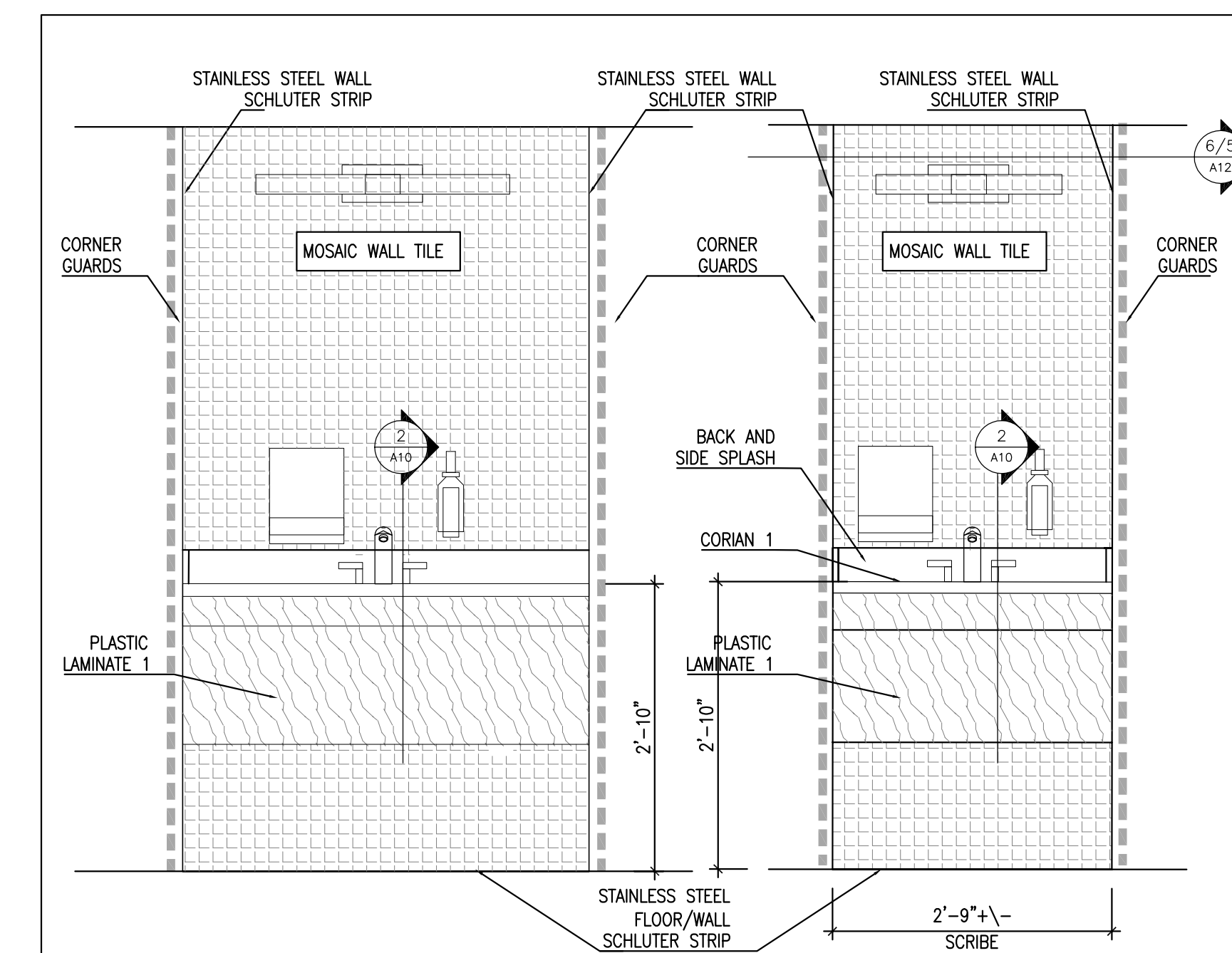


TYPICAL NURSE'S HAND WASHING STATIONS  
(1/2" PLAN VIEW) FLOOR 1

IF SPECIFIED SINK IS TOO DEEP FOR EXISTING NOOKS ON FLOOR 1, PROPOSE SMALLER OPTION.



MILLWORK CASEWORK ELEVATIONS



WHERE EYE WASH STATIONS EXIST, REINSTALL AT SAME LOCATIONS.

- 7 TYPICAL NURSE'S HAND WASHING STATIONS FLOOR 1
- 8 TYPICAL NURSE'S HAND WASHING STATIONS FLOOR 2
- |  |   |
|--|---|
| NURSE'S HAND WASHING ACCESSORIES AND FINISHES:   | PLASTIC LAMINATE 1: WILSONART PREMIUM LAMINATE COLOBIAN WALNUT 7943K-07 AEON SCUFF RESISTANCE       |
| UNDER MOUNT SINK: WILSONART INTEGRAL ADA BOWL STYLE BV1512ADA WITH OFFSET  | MOSAIC WALL TILE: DAL TILE, MOSAIC TRADITIONS SKYLINE, COLOR BP99 GROUT: WHITE                      |
| SOAP DISPENSER: TBD  | SCHLUTER WALL TRIM: WALL TILE TO TERMINATE AT SCHLUTER "JOLLY" ALUMINUM TRIM; SATIN ANODIZED FINISH |
| PAPER TOWEL DISPENSER: TBD   |   |
| SCONCE: WAC LIGHTING WS-72 (120V) dwellLED vanity light - BRUSHED NICKEL<br>1st floor: WS-7230 BN<br>2nd floor: WS-7222 BN |   |
| CORIAN 1: TUMBLEWEED   |   |

DESIGNER:  
BOULOS COMMERCIAL DESIGN, PLLC  
1 CANAL PLAZA SUITE 500  
PORTLAND ME 04101  
www.bouloscommercialdesign.com  
207-749-1795

SEAL:

OWNER:  
HEALTHSOUTH NEW ENGLAND REHABILITATION HOSPITAL OF PORTLAND  
335 Brighton Avenue, Portland, ME 04102

LANDLORD:  
Maine Medical Center  
335 Brighton Avenue, Portland, ME 04102

GENERAL CONTRACTOR  
HEBERT CONSTRUCTION  
9 Gould Road Lewiston, ME 04240

REVISIONS:  
DELTA:                      DATE:

TITLE:  
MILLWORK & HAND WASH STATIONS

SCALE: 1/8" = 1'-0"  
DATE: 07/06/2017

FLOORS 1 & 2

A6.3