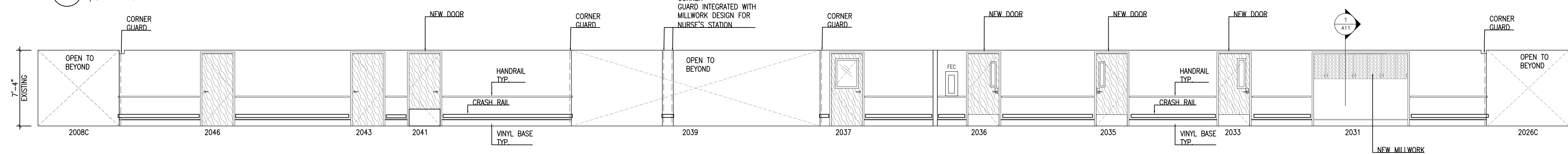
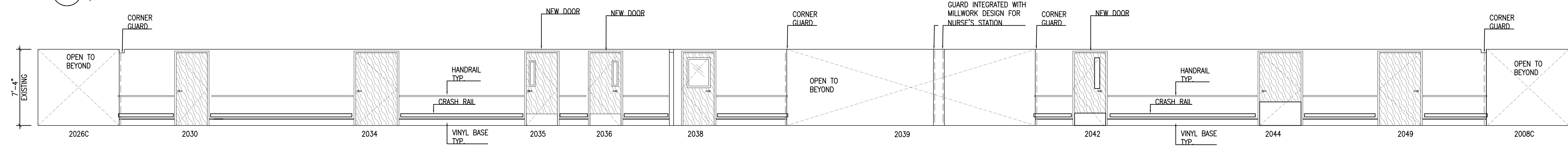


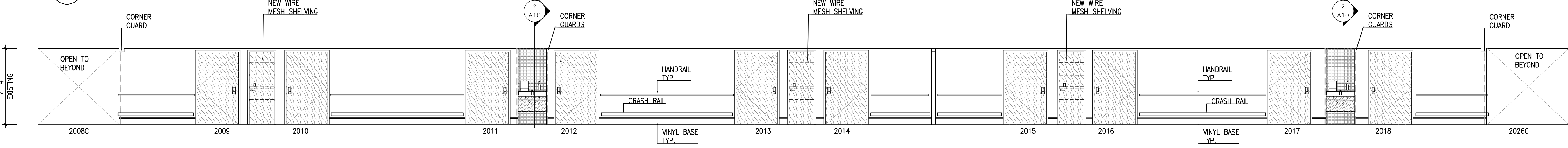
1 CORRIDOR 2028C
1/8" = 1'-0"



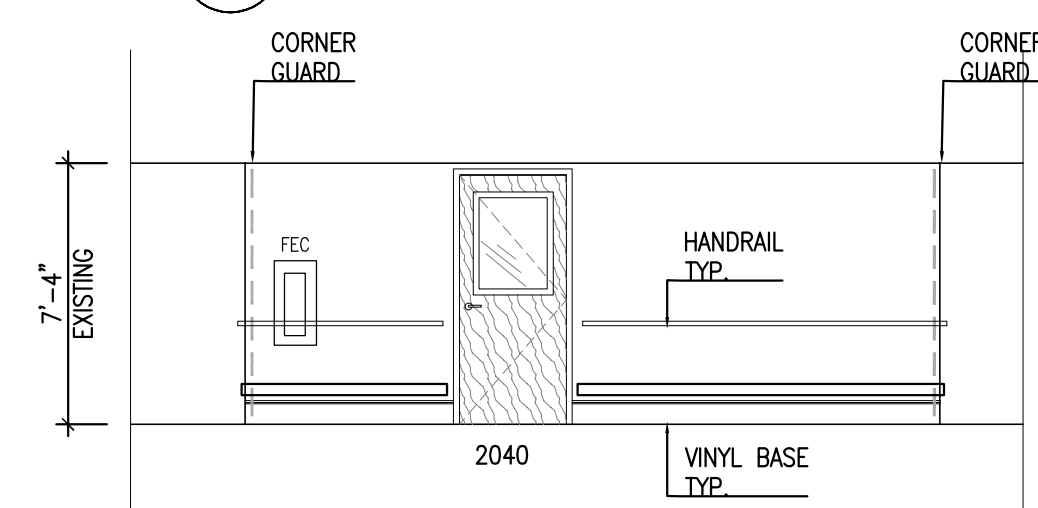
2 CORRIDOR 2028C
1/8" = 1'-0"



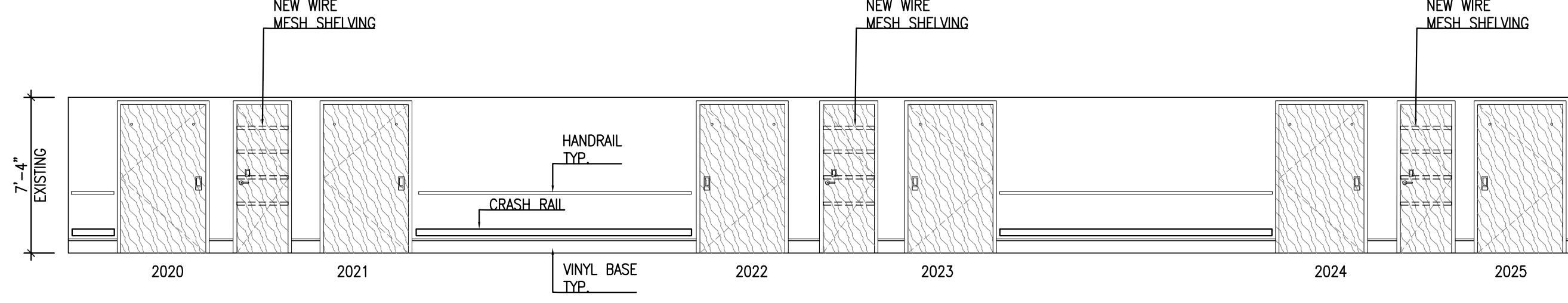
3 CORRIDOR 2027C
1/8" = 1'-0"



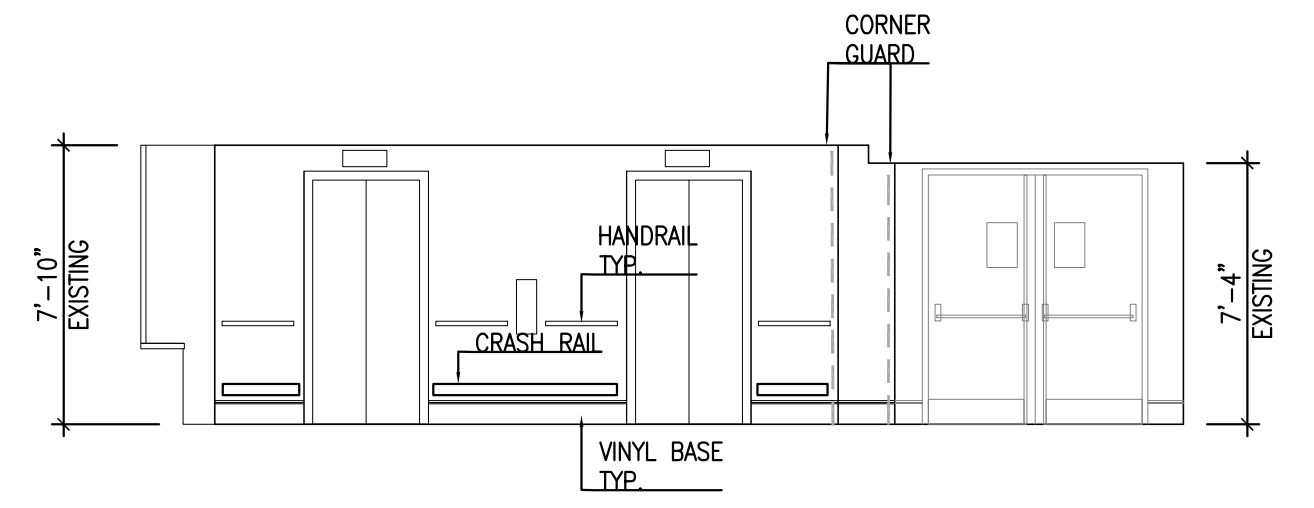
4 CORRIDOR 2027C
1/8" = 1'-0"



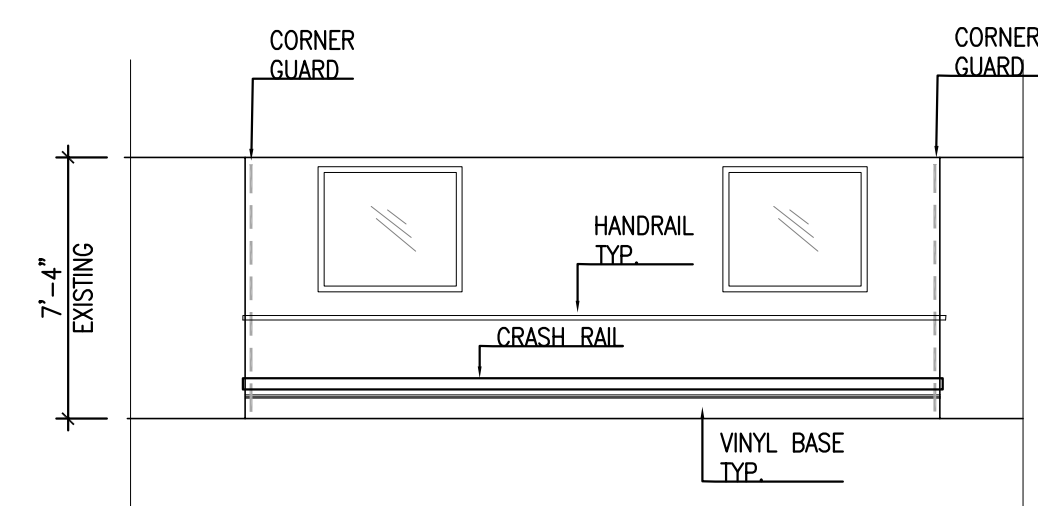
5 NURSES STATION 2039
1/8" = 1'-0"



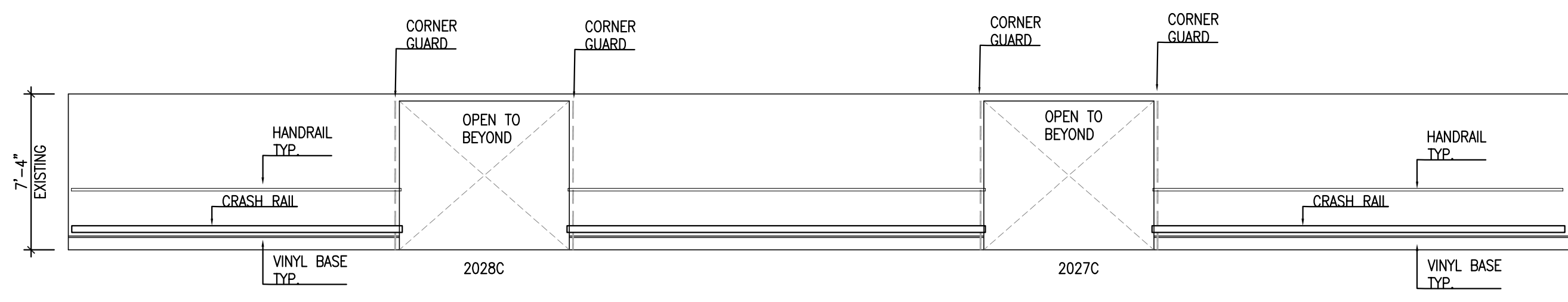
6 CORRIDOR 2026C
1/8" = 1'-0"



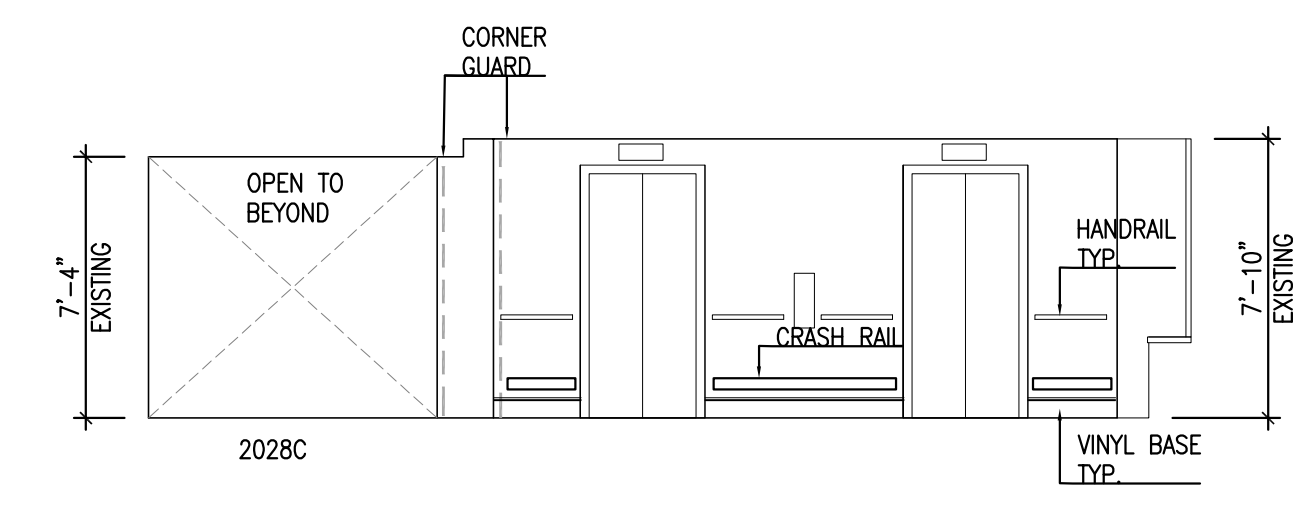
7 ELEVATOR LOBBY 2003C
1/8" = 1'-0"



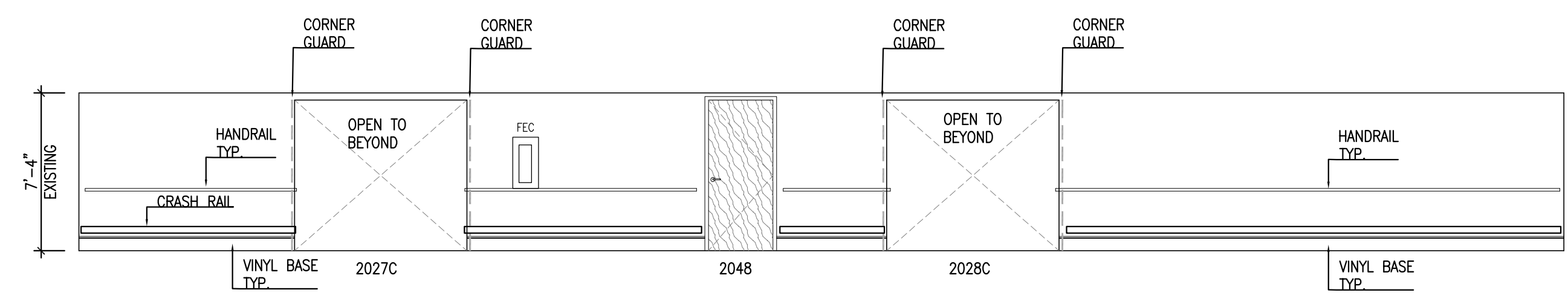
8 NURSES STATION 2039
1/8" = 1'-0"



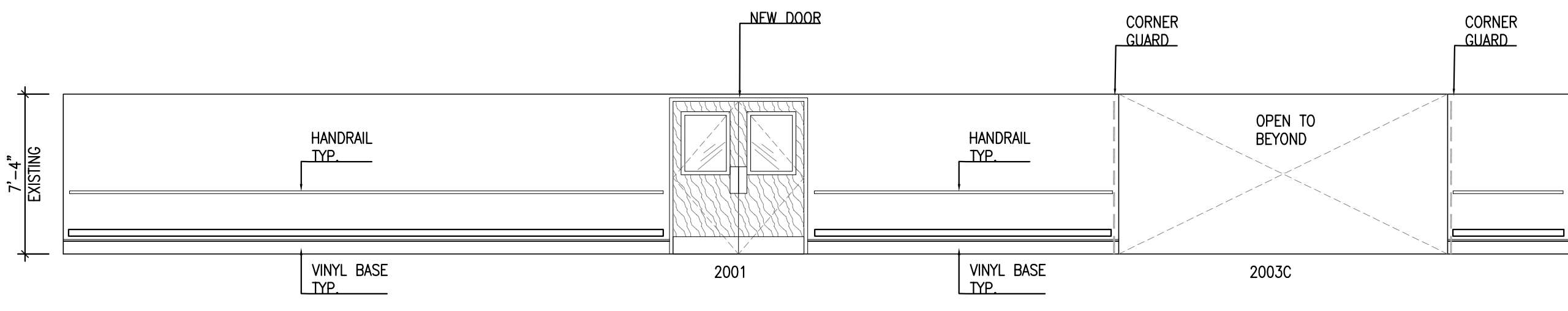
9 CORRIDOR 2026C
1/8" = 1'-0"



10 ELEVATOR LOBBY 2003C
1/8" = 1'-0"



11 CORRIDOR 2008C
1/8" = 1'-0"



12 CORRIDOR 2008C
1/8" = 1'-0"