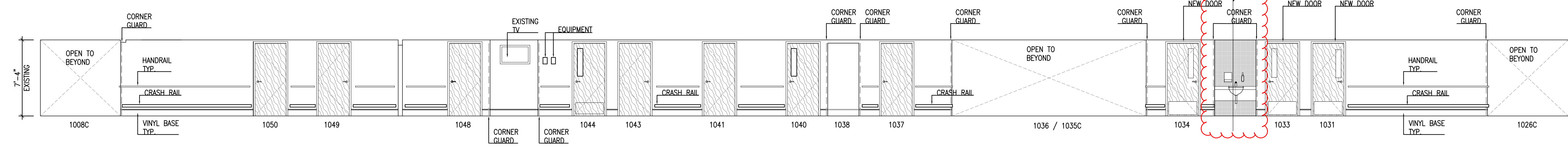
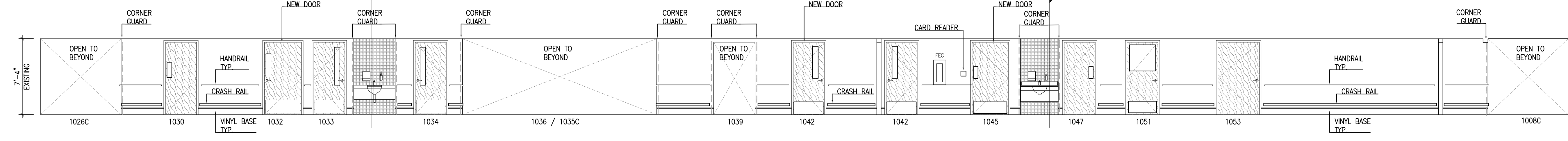


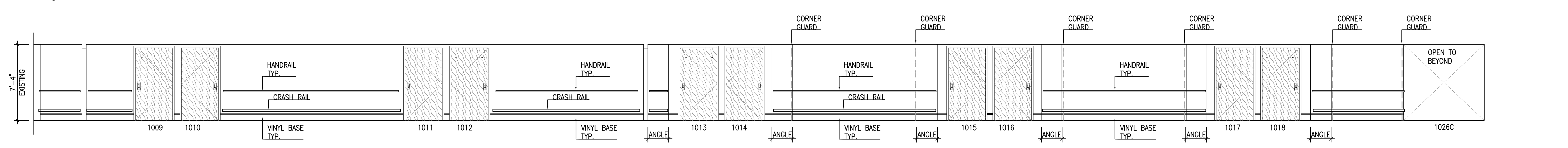
1 CORRIDOR 1060C  
1/8" = 1'-0"



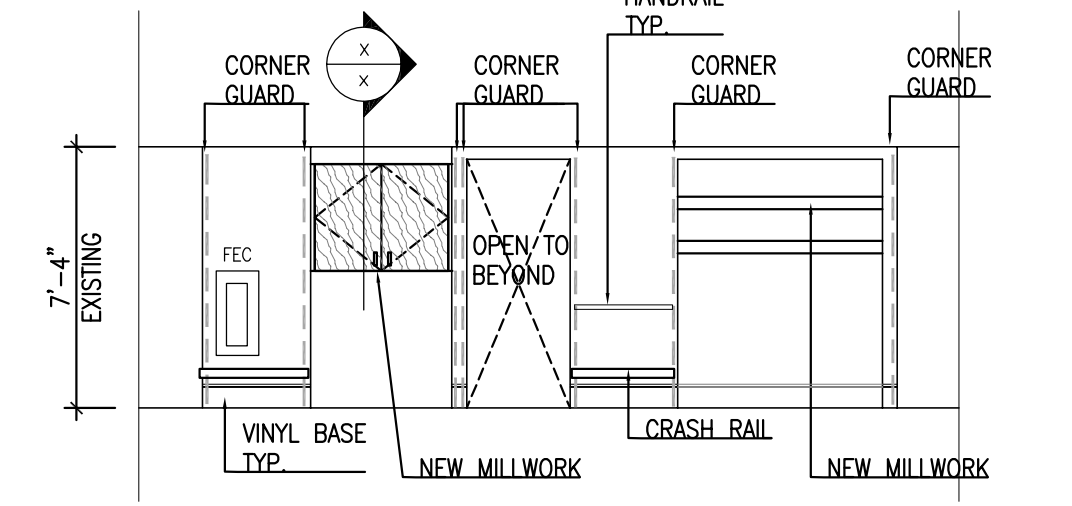
2 CORRIDOR 1060C  
1/8" = 1'-0"



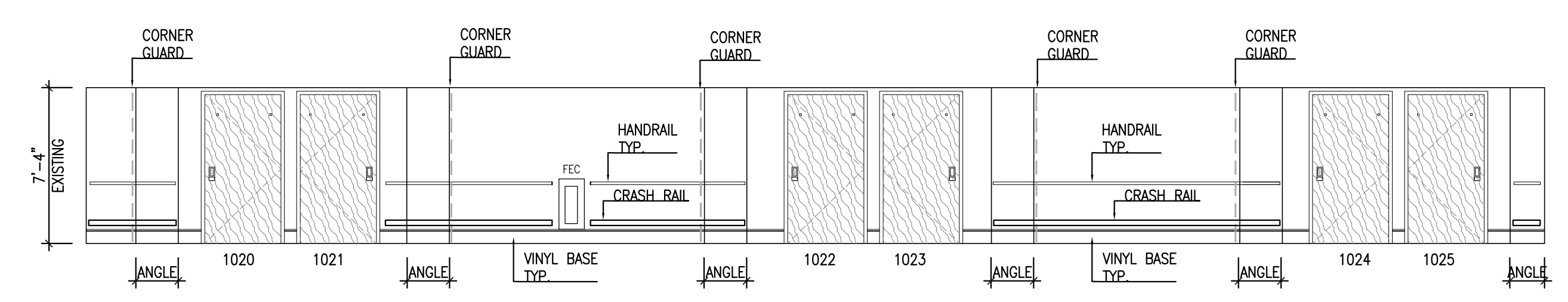
3 CORRIDOR 1027C AND 1028C  
1/8" = 1'-0"



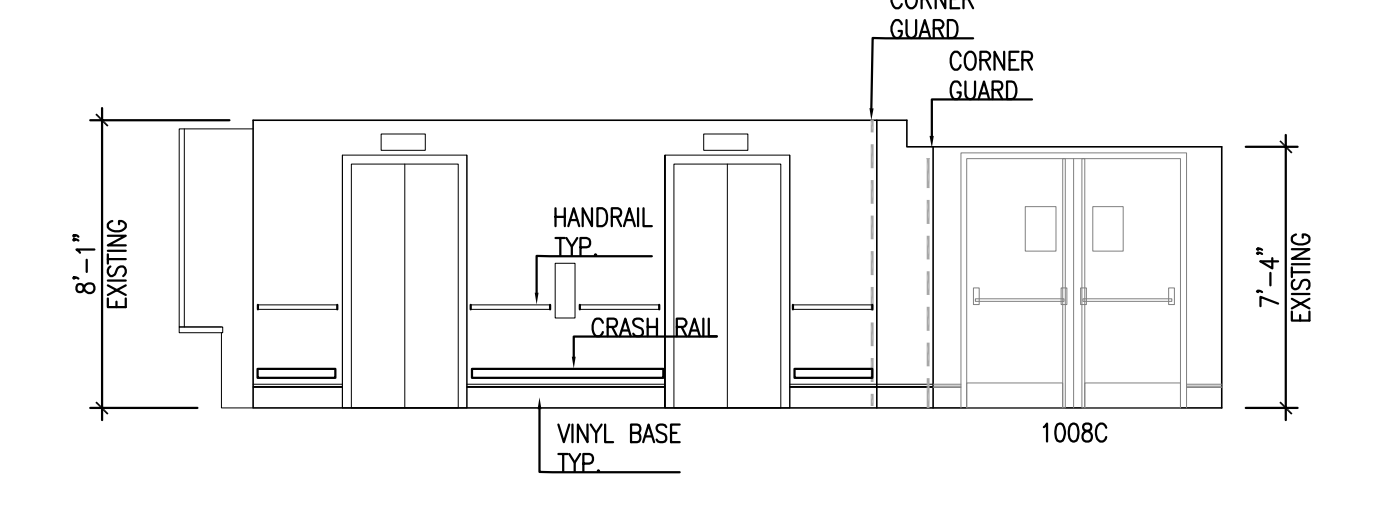
4 CORRIDOR 1027C AND 1028C  
1/8" = 1'-0"



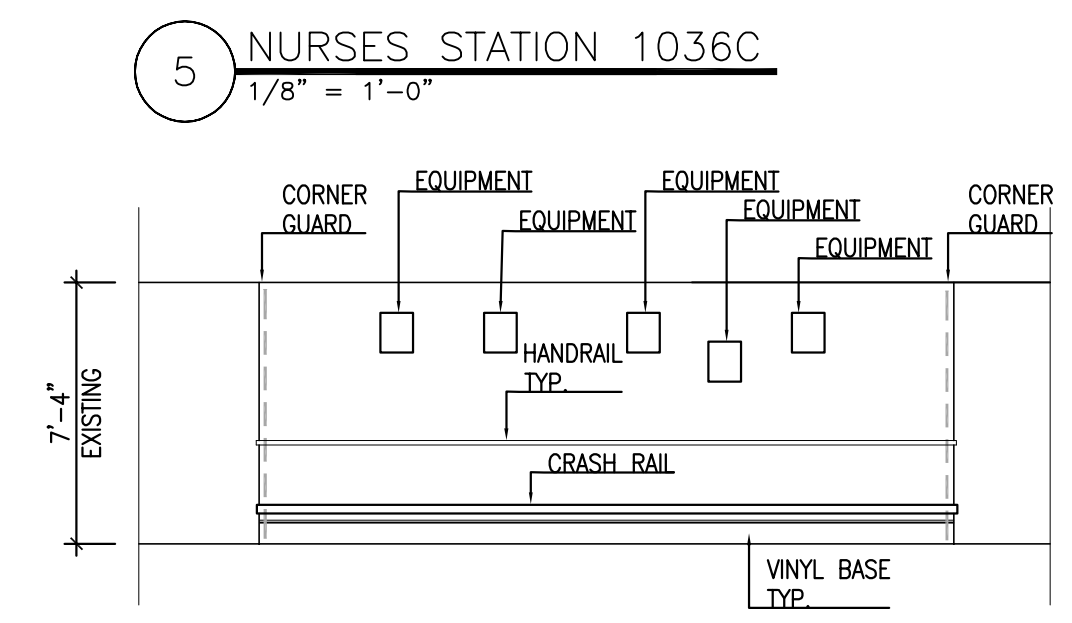
5 NURSES STATION 1036C  
1/8" = 1'-0"



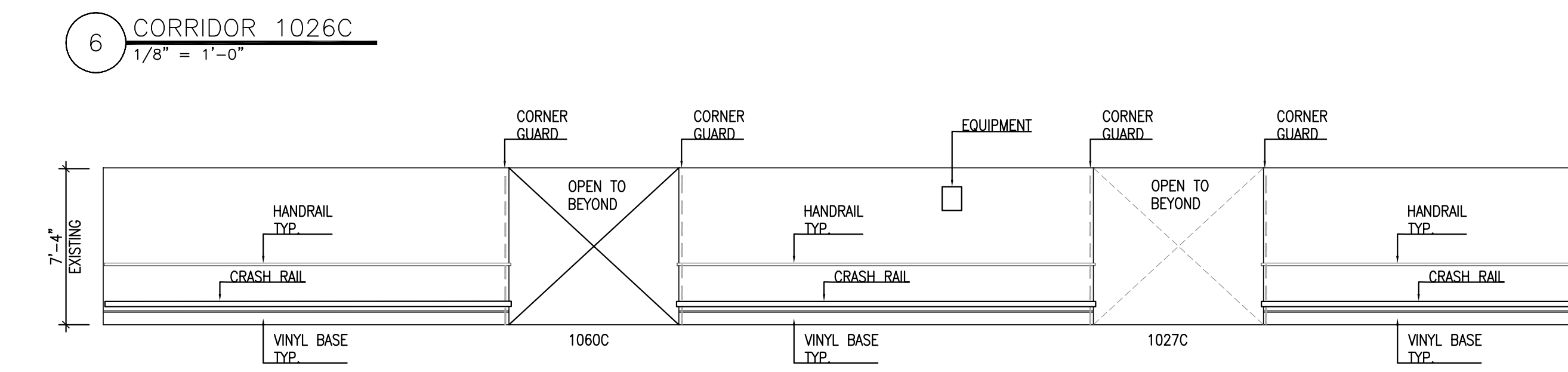
6 CORRIDOR 1026C  
1/8" = 1'-0"



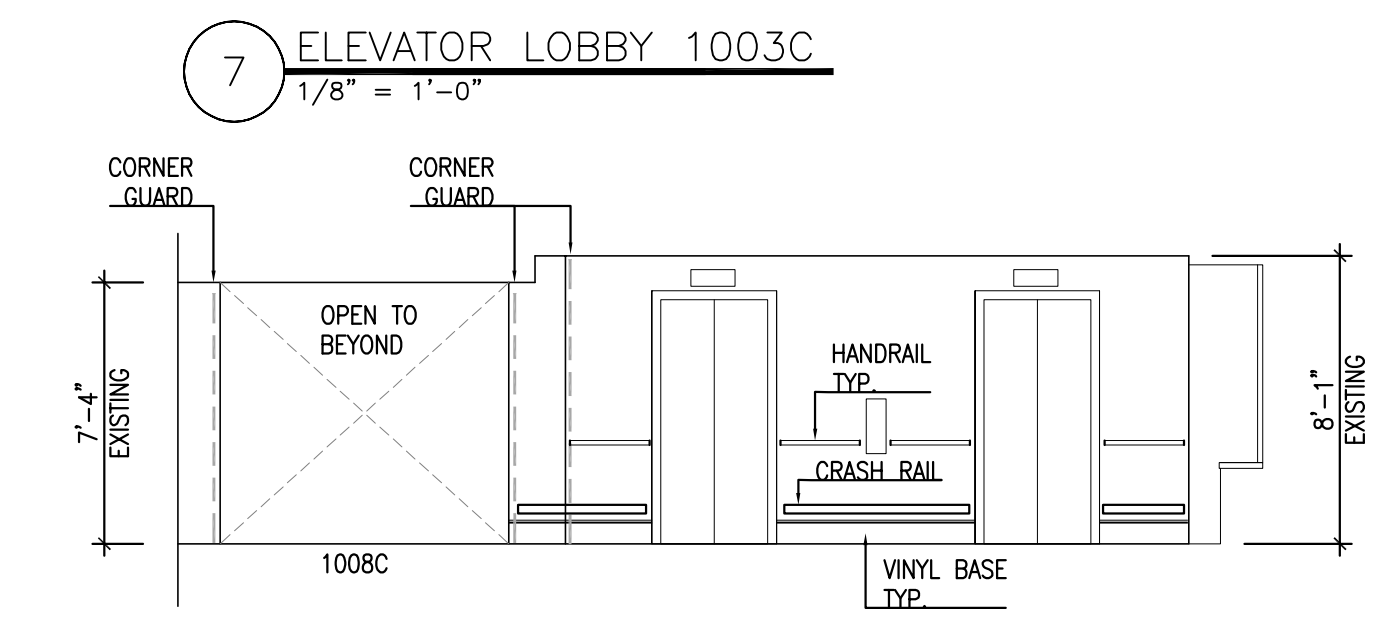
7 ELEVATOR LOBBY 1003C  
1/8" = 1'-0"



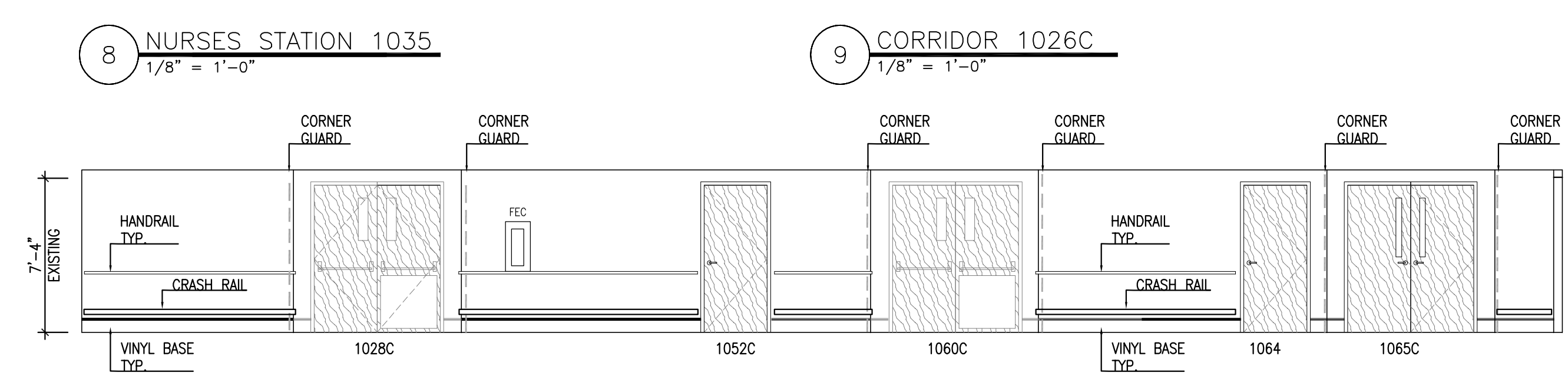
8 NURSES STATION 1035  
1/8" = 1'-0"



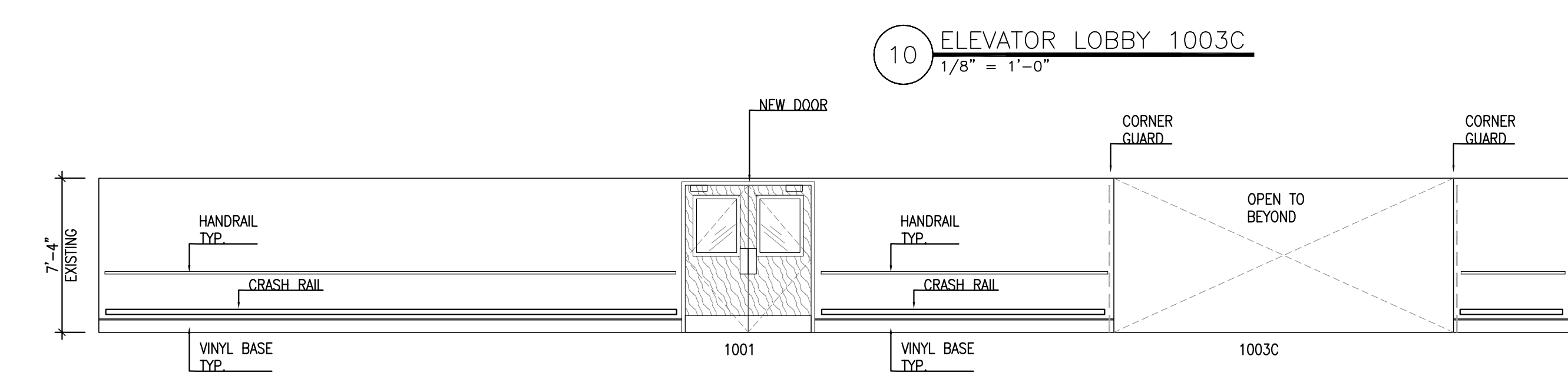
9 CORRIDOR 1026C  
1/8" = 1'-0"



10 ELEVATOR LOBBY 1003C  
1/8" = 1'-0"



11 CORRIDOR 1008C  
1/8" = 1'-0"



12 CORRIDOR 2008C  
1/8" = 1'-0"