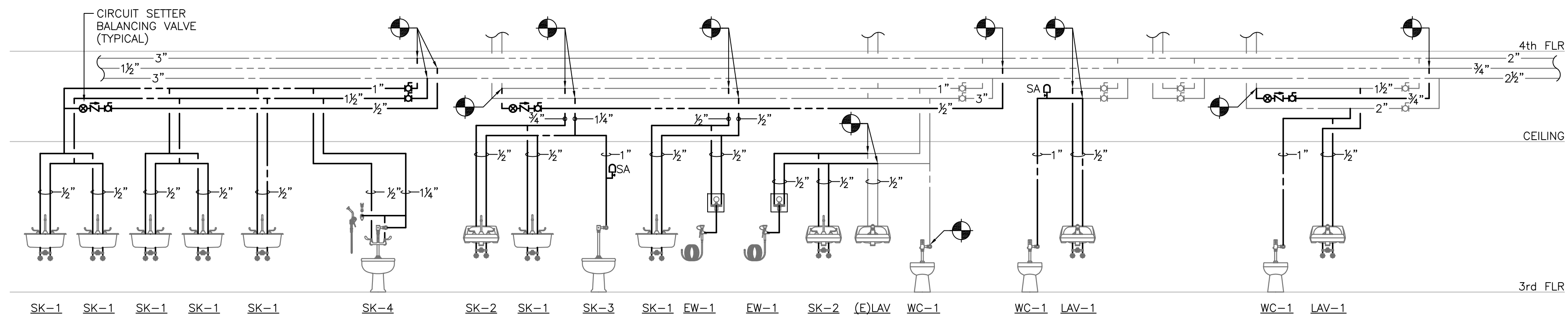
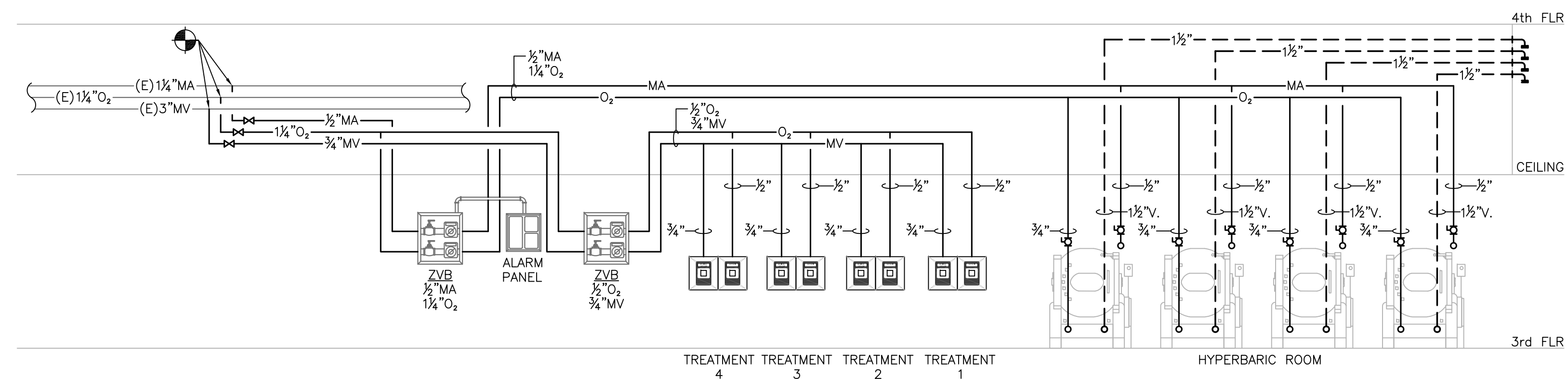


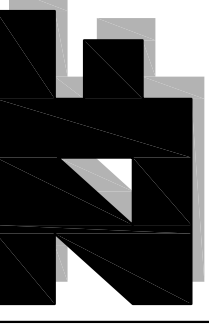
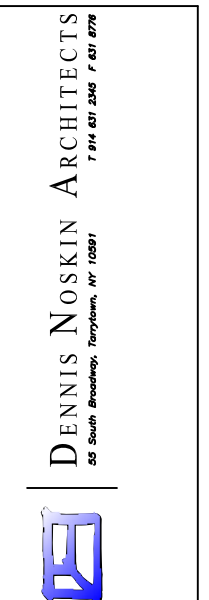
N.T.S. 1 SANITARY RISER DIAGRAM  
P-6 PLUMBING



N.T.S. 2 WATER RISER DIAGRAM  
P-6 PLUMBING



N.T.S. 3 MEDICAL PIPING RISER DIAGRAM  
P-6 PLUMBING



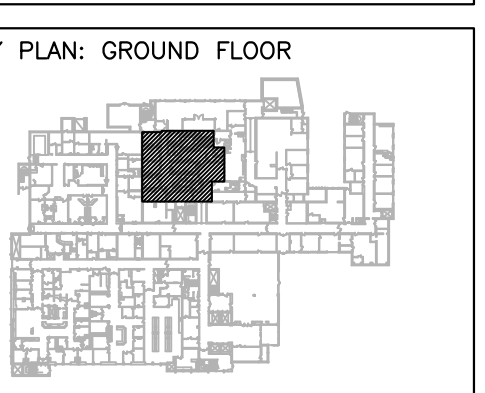
Z&F CONSULTING  
MECHANICAL, ELECTRICAL, PLUMBING  
FIRE PROTECTION  
1000 BRIGHTON AVENUE  
PORTLAND, ME 04103  
www.zandf.com

JOHN ZABLOWICZ, P.E.  
PROFESSIONAL ENGINEER  
LICENSE NO.: 13062



STATE: MAINE  
JOHN ZABLOWICZ, P.E.  
PROFESSIONAL ENGINEER  
LICENSE NO.: 13062

PROJECT:  
MAINE MEDICAL CENTER  
BRIGHTON CAMPUS  
WOUND CARE AND  
HYPERBARIC MEDICINE  
333 BRIGHTON AVENUE  
PORTLAND, ME 04103



ISSUE DATES:

▲	JANUARY 26, 2015
▲	STATE APPROVALS
▲	MARCH 20, 2015
▲	BLDG. DEPT. REVIEW
▲	
▲	
▲	
▲	

DRAWN BY:	ECH
CHECKED BY:	BF
SCALE:	AS NOTED
PROJECT NO.:	P14110

SHEET TITLE:  
PLUMBING  
RISER DIAGRAMS

DRAWING NO.:  
P-6