

Legend

- | | | | |
|----------|--|-----------|---|
| 1 | Remove door and frame | 5 | Remove counter. Remove base and wall cabinets and turn over to Owner for reuse. |
| 2 | Remove electrical outlet | 6 | Remove sink and branch piping back to mains. |
| 3 | Remove switches. | 7 | Remove ACT ceiling and lights in this room. |
| 4 | Remove switches; provide new switches in new location. | 8 | Remove X-Ray outlet and circuit. |
| | | 9 | Open partition, install solid blocking for Owner furnished lead apron rack and patch. |
| | | 10 | Remove vinyl base and save for reuse. |
| | | 11 | Remove lock keypad, wiring and patch GWB. |
| | | 12 | Remove light switch and wiring. |
| | | 13 | Remove intercom unit and wiring. |
| | | 14 | Relocate existing fire extinguisher. |
| | | 15 | Cut back exist PLAM wall overlay. |
| | | 16 | Anchor exist overlay to GWB with (4) 1/4" toggle bolts with chrome head & grommet. |

Notes:

Remove flooring and base throughout and provide 1/8" portland/latex skim coat.

See reflected ceiling plan for GWB ceiling removal.

----- Remove GWB partition.

Removals Plan

1/4" = 1'-0"

Nephrology Intervention Room

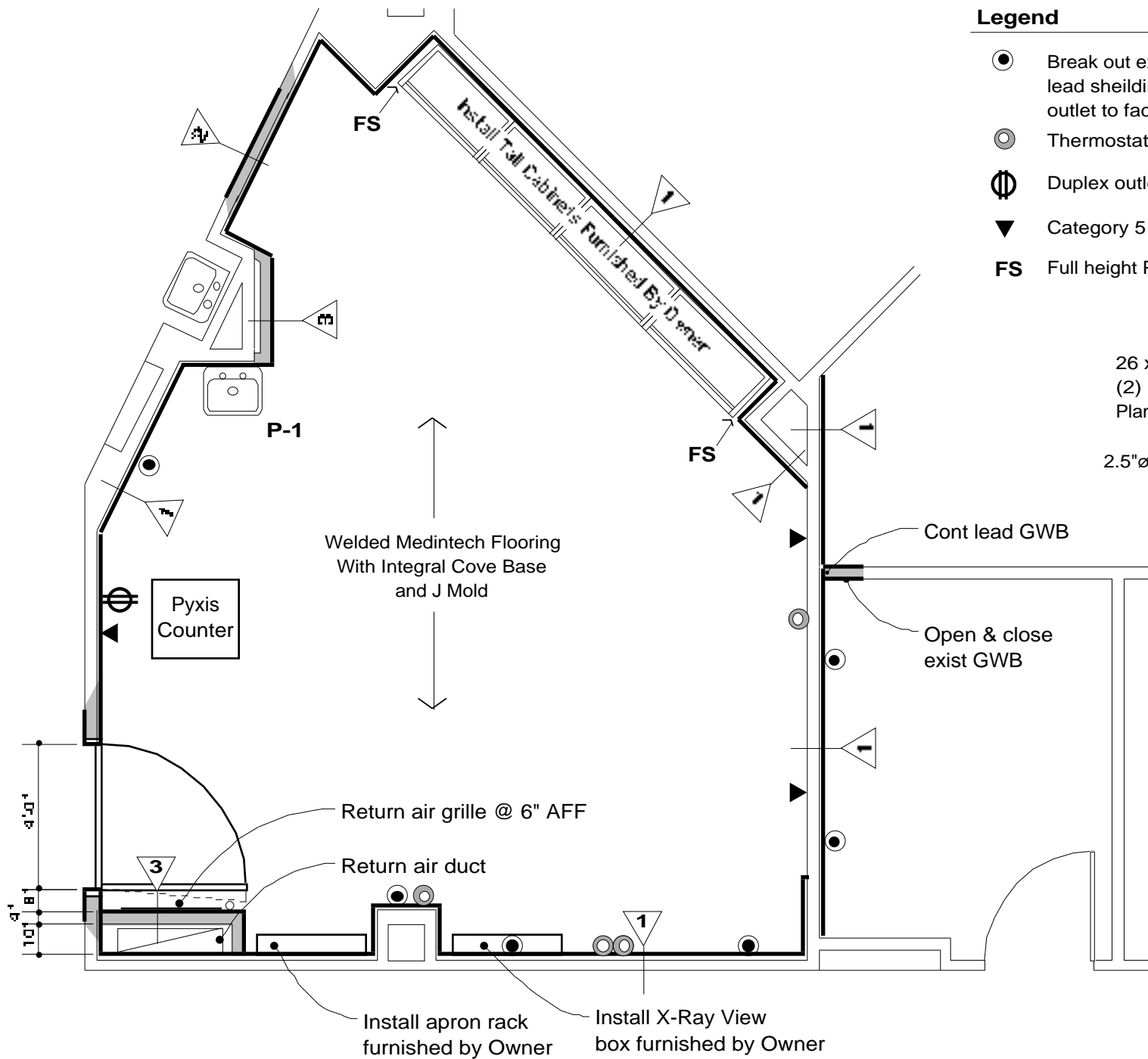
Maine Medical Center

Brighton Campus

Winton Scott Architects
 5 Milk Street
 Portland, Maine 04101

D 1

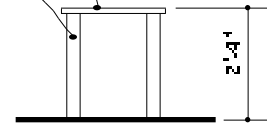
February 5, 2001



Legend

- Break out exist GWB and provide lead shielding at existing duplex outlet. Extend outlet to face of new GWB overlay.
- Thermostat or intercom device per above.
- ⊕ Duplex outlet with lead shielding
- ▼ Category 5 data outlet with lead shielding
- FS** Full height PLAM filler strip. Scribe to GWB.

26 x 31 Counter
(2) 3/4" Plywd;
Plam 6 Sides
2.5"∅ Chrome legs



Pyxis Counter Elevation

1/4" = 1'-0"

P-1

Remove exist sink. Break out GWB and provide lead shielding at piping penetrations. Reinstall to accommodate proposed thicker wall. Provide Chicago Faucets 834-EP pedal valve.

Floor Plan

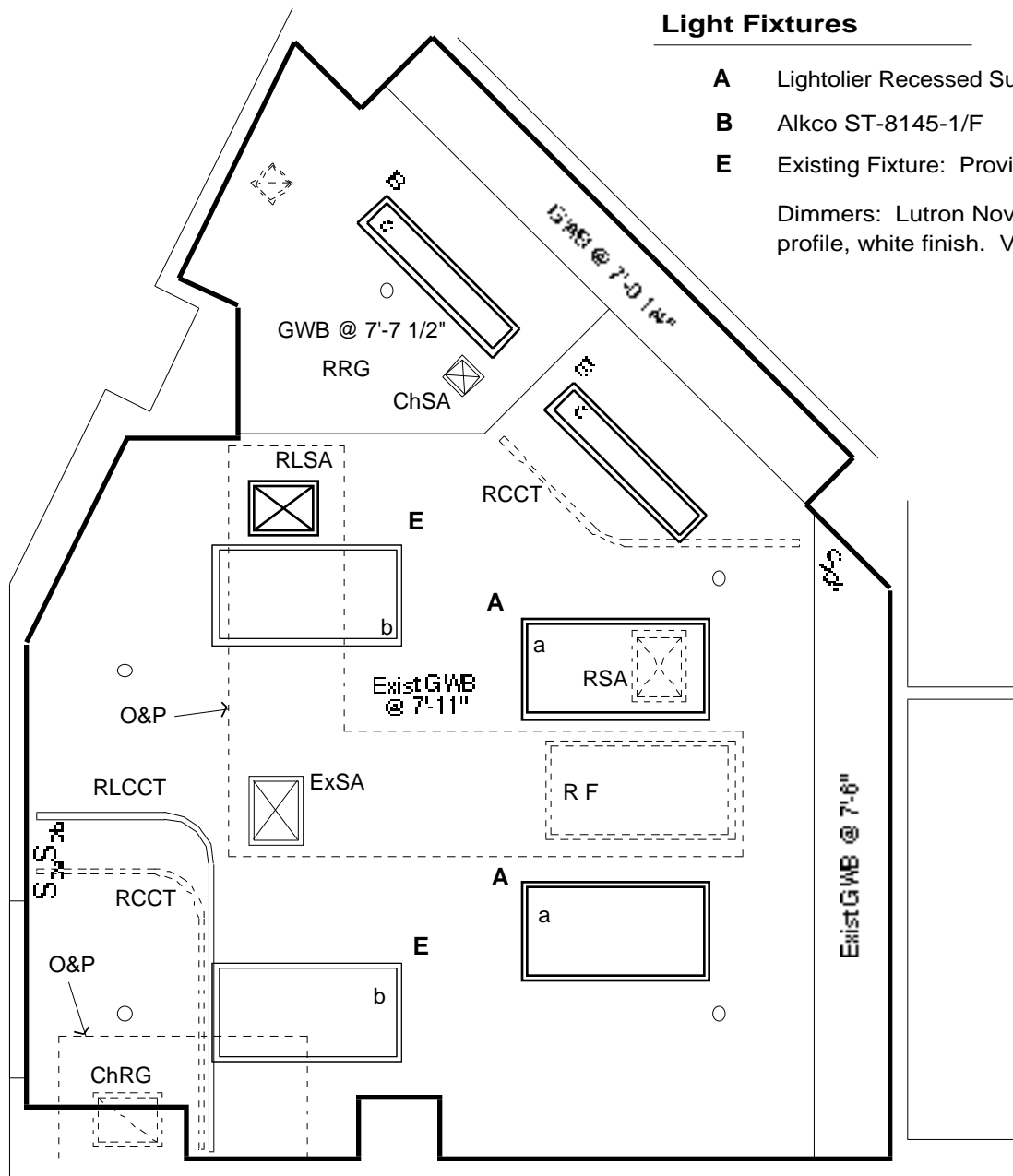
1/4" = 1'-0"

Nephrology Intervention Room

Light Fixtures

- A** Lightolier Recessed Surgical 2x4 SUS2FFSMA440-VAC-PS-ACP2-RF Verify voltage.
- B** Alkco ST-8145-1/F (3) F32T8 Provide dimming ballast, verify voltage.
- E** Existing Fixture: Provide dimming ballast and lamps

Dimmers: Lutron Nova-T NTF-10-120, slide-to-off, thin profile, white finish. Verify voltage and ballsat.



Legend

- RSA** Remove supply air grille and patch ceiling
- O&P** Open and patch ceiling
- RLSA** Relocated supply air grille
- ExSA** Existing supply air grille
- R F** Remove light fixture, patch GWB
- Existing sprinkler head
- RRG** Remove return air grille and ductwork back to main and cap
- ChSA** Remove supply air grille and provide grille with GWB frame.
- ChRG** Remove return air grille and provide ductwork drop in chase and sidewall grille.
- RCCT** Remove cubicle curtain track.
- RLCCT** Relocated/modified cubicle curtain track.

Reflected Ceiling Plan

1/4" = 1'-0"

A 3

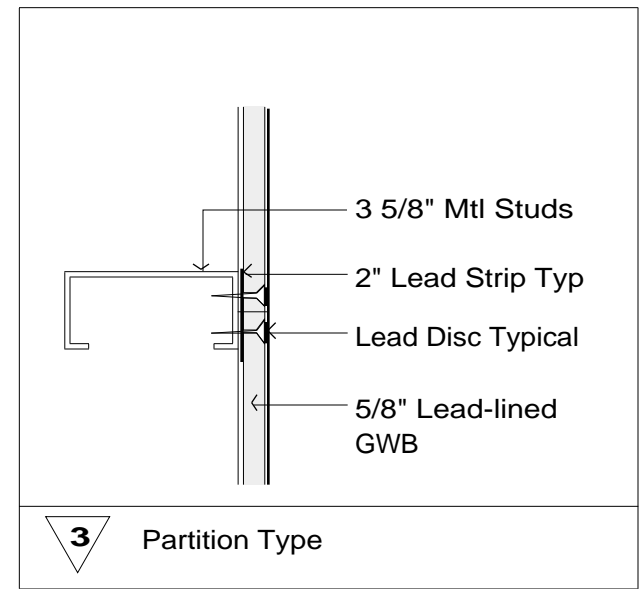
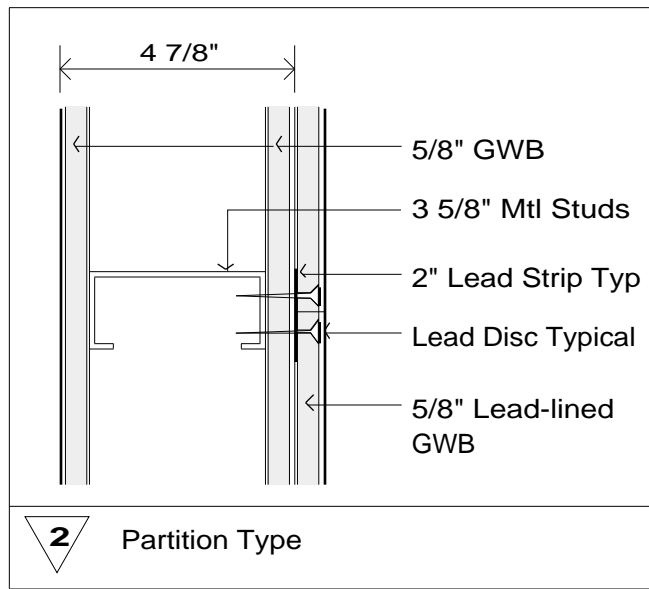
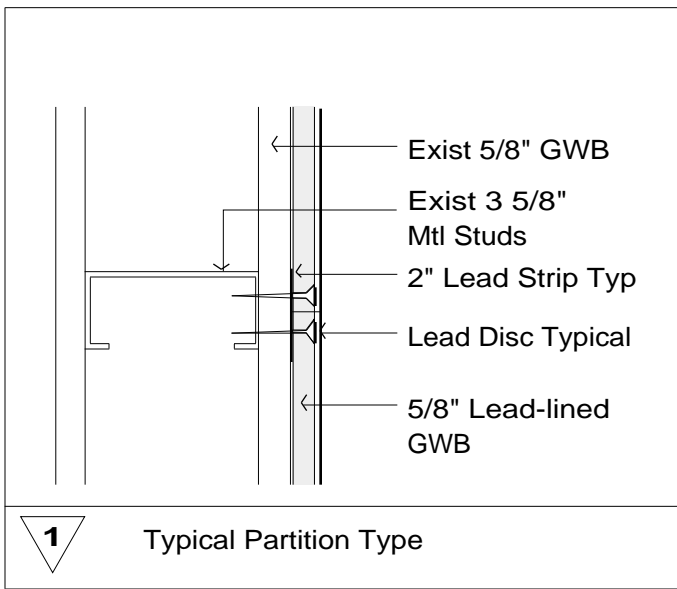
Nephrology Intervention Room

Maine Medical Center

Brighton Campus

Winton Scott Architects
5 Milk Street
Portland, Maine 04101

February 5, 2001



Note: Provide continuous 2" wide vertical lead 90° folded strip at all inside and outside corners.

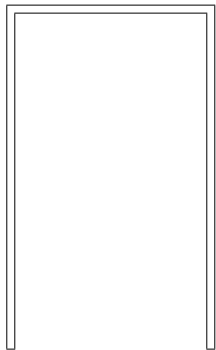
Door and Hardware Notes:

Wood door with 1/16" lead center lining
Prefit, premachined
Factory prime, field paint
3 ply birch skin
Lifetime warranty

Bevel edges 1/8" in 2"

Rev 2/6/01

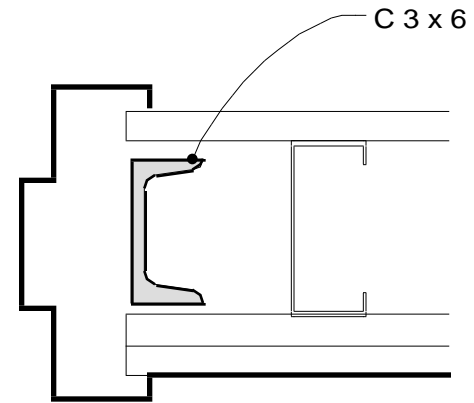
Acrovyn armor plate and edge guards
4'-0" x 7'-0" x 1 3/4"
Rixon Pivots: Top/L180; Intermediate/ML19
Rixon DA-L27-AHO-90 Recessed Floor Closer
Delayed Action
Auto Hold Open @ 90°
Glynn Johnson HL-6 US 32D Hospital Latchset
Include Lead Lining Option
5" Backset
"Push" and "Pull" engraved
Floor Stop (Set at 95° Position)
All US 26D Finish



HM Frame
1/4" = 1'-0"



Door
1/4" = 1'-0"



Door Jamb Detail
3" = 1'-0"

Partition And Door Details