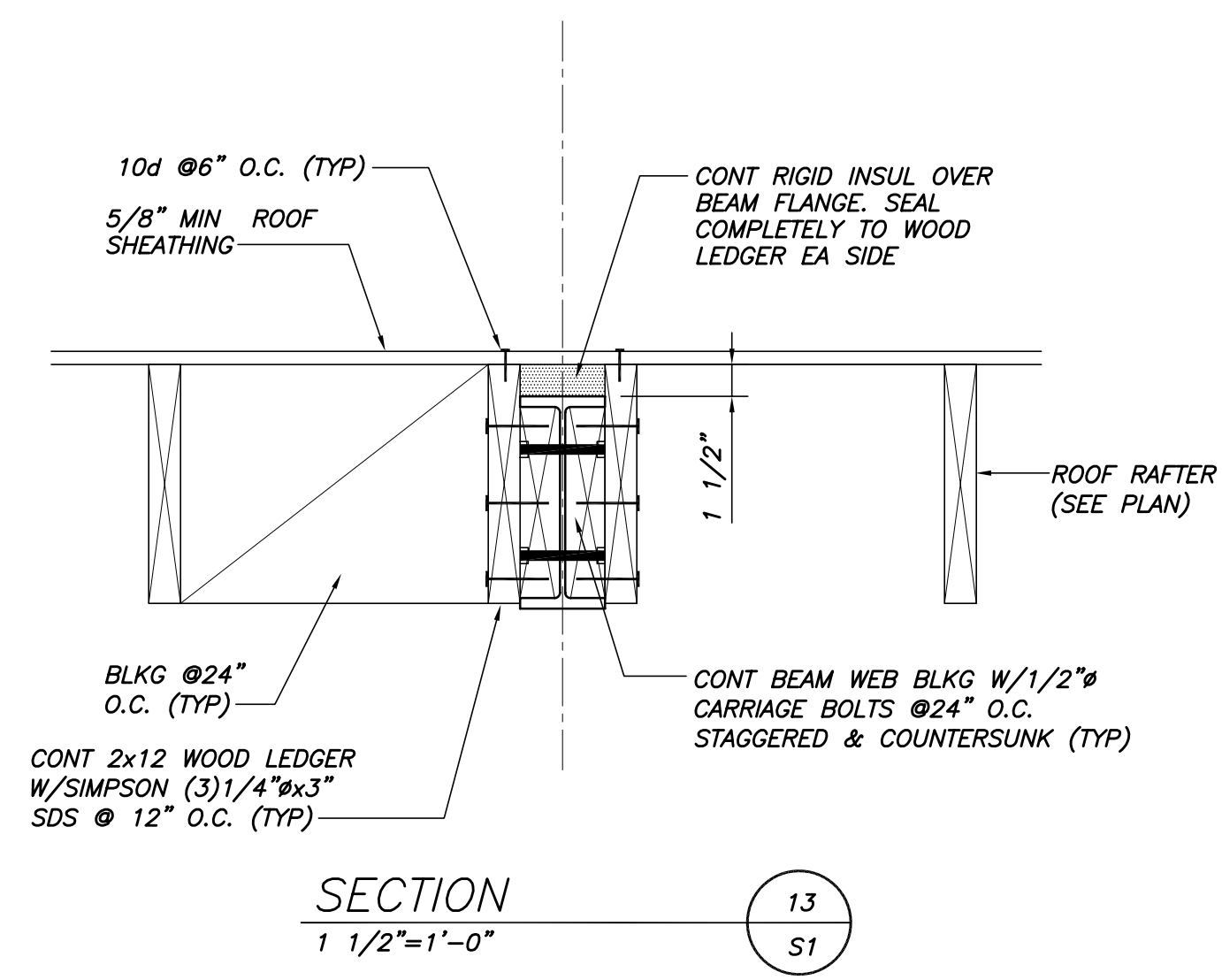


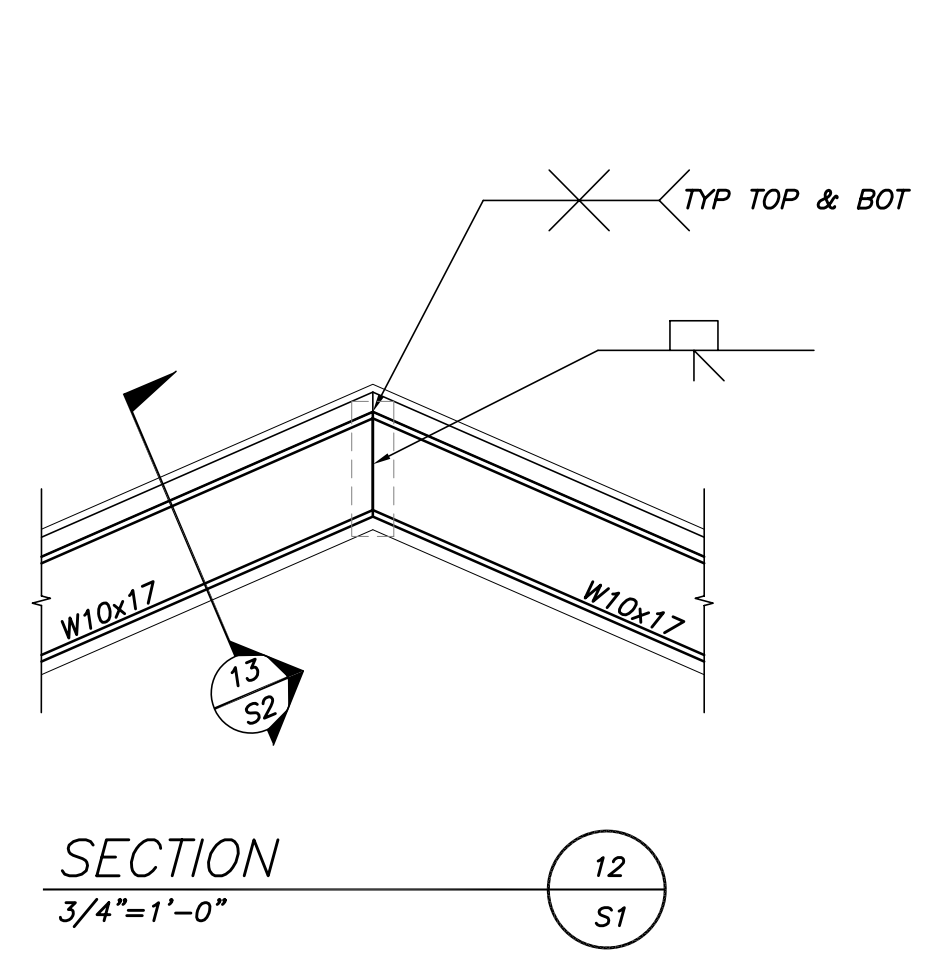
Approved For	
Issued For	ISSUED FOR CONSTRUCTION
Date	11/07/05
Rev. No.	

WAGNER RESIDENCE
 PORTLAND, MAINE
 FRAMING DETAILS

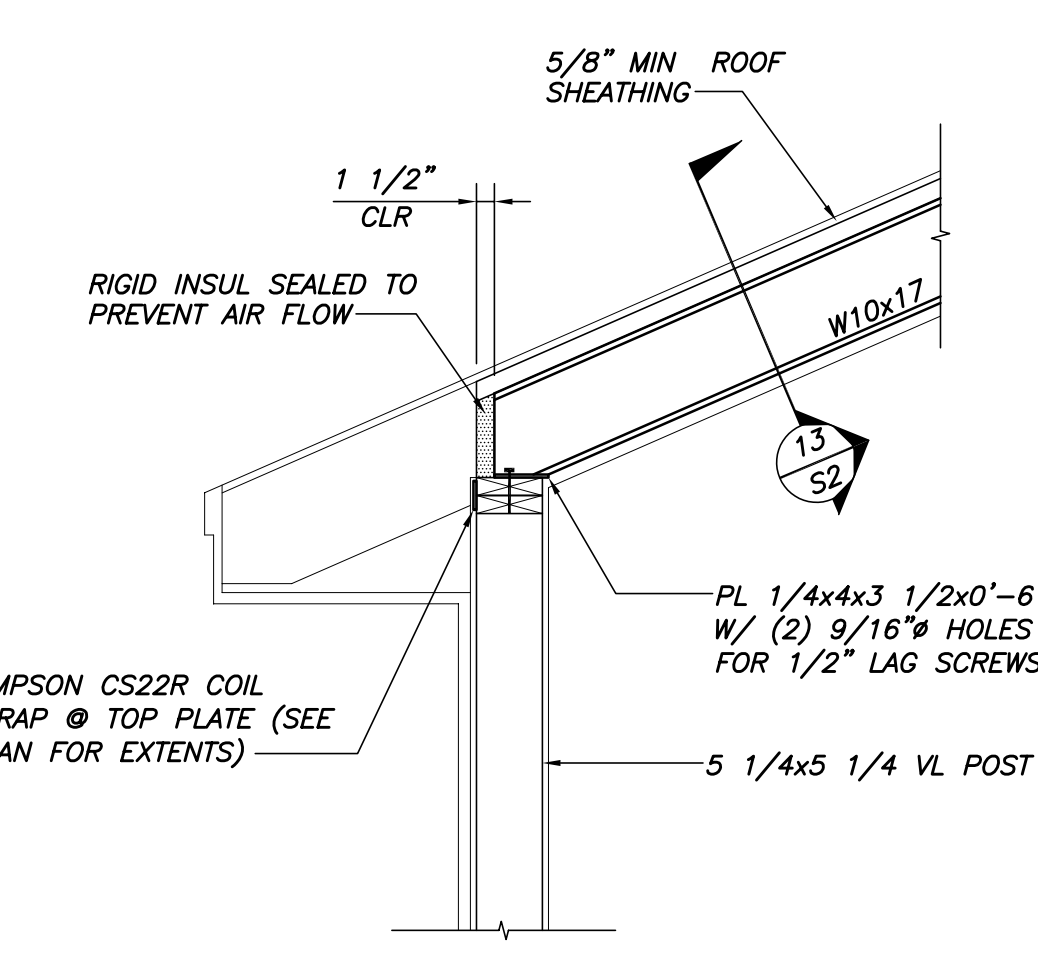
Designed	PBB	Scale	NOTED
Drawn	CHF	Date	11/07/05
Checked	PBB	Becker Job Number	1422



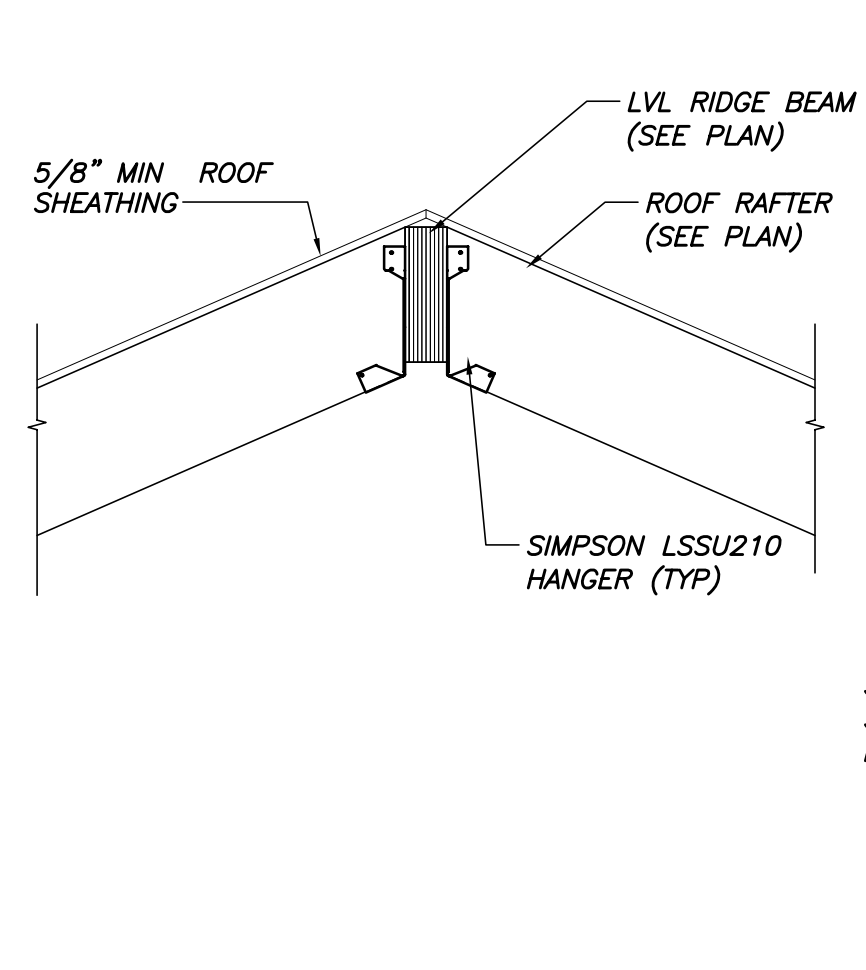
SECTION 13
 1 1/2"=1'-0"



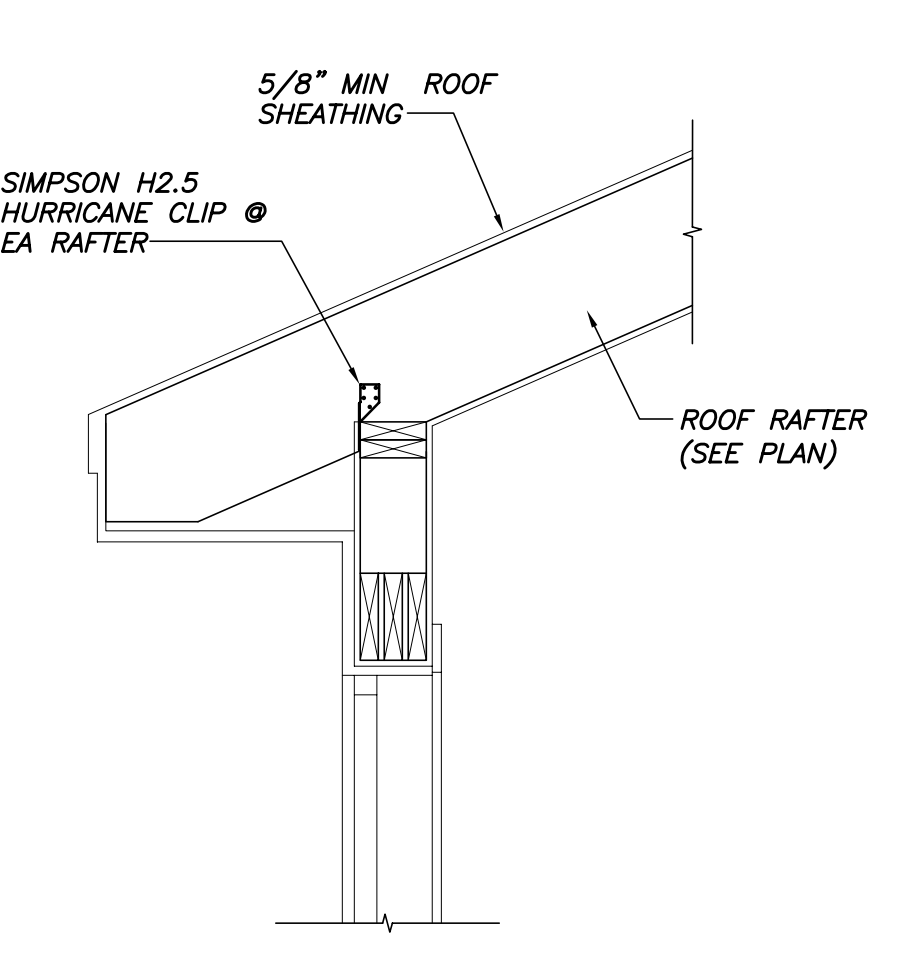
SECTION 12
 3/4"=1'-0"



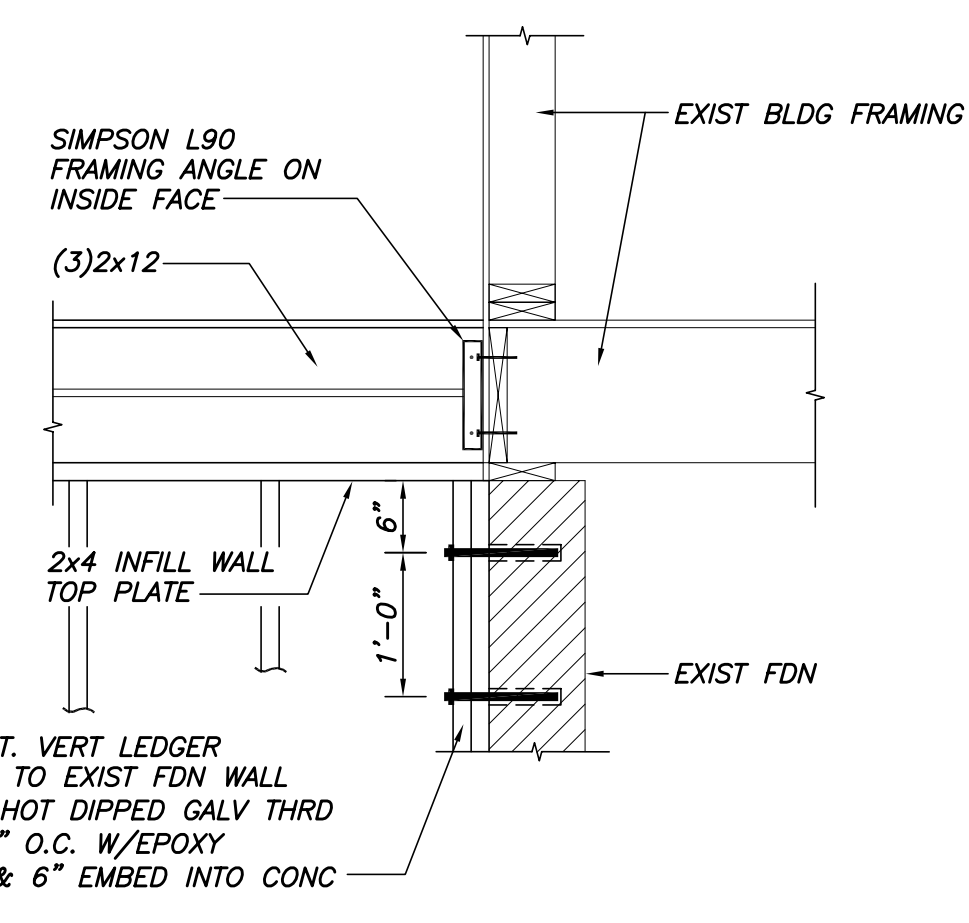
SECTION 11
 3/4"=1'-0"



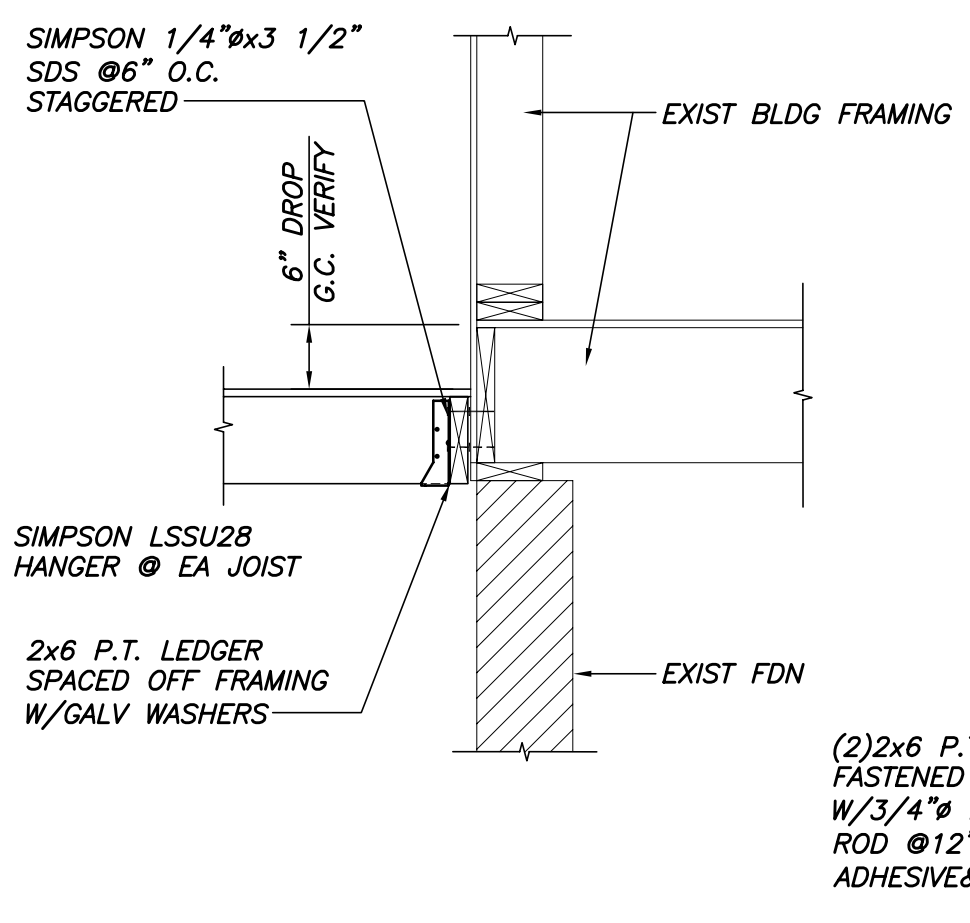
SECTION 10
 3/4"=1'-0"



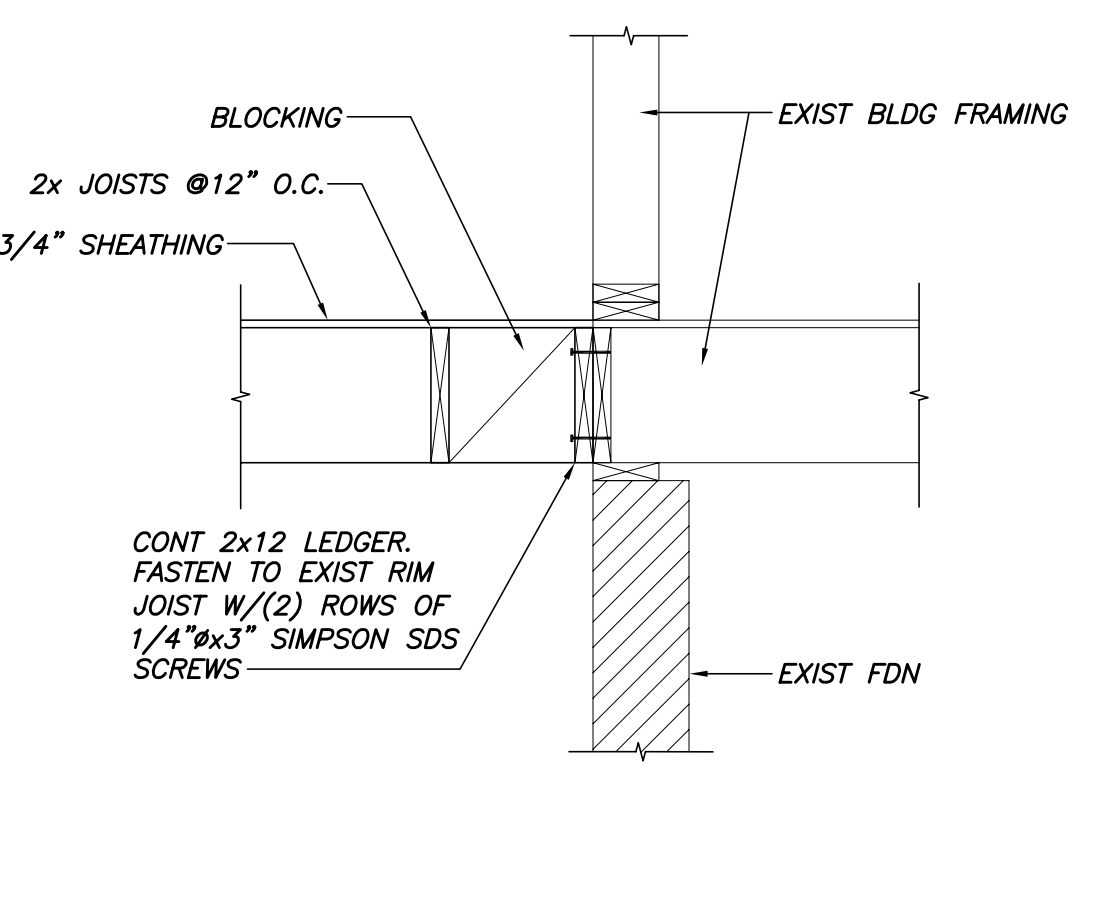
SECTION 9
 3/4"=1'-0"



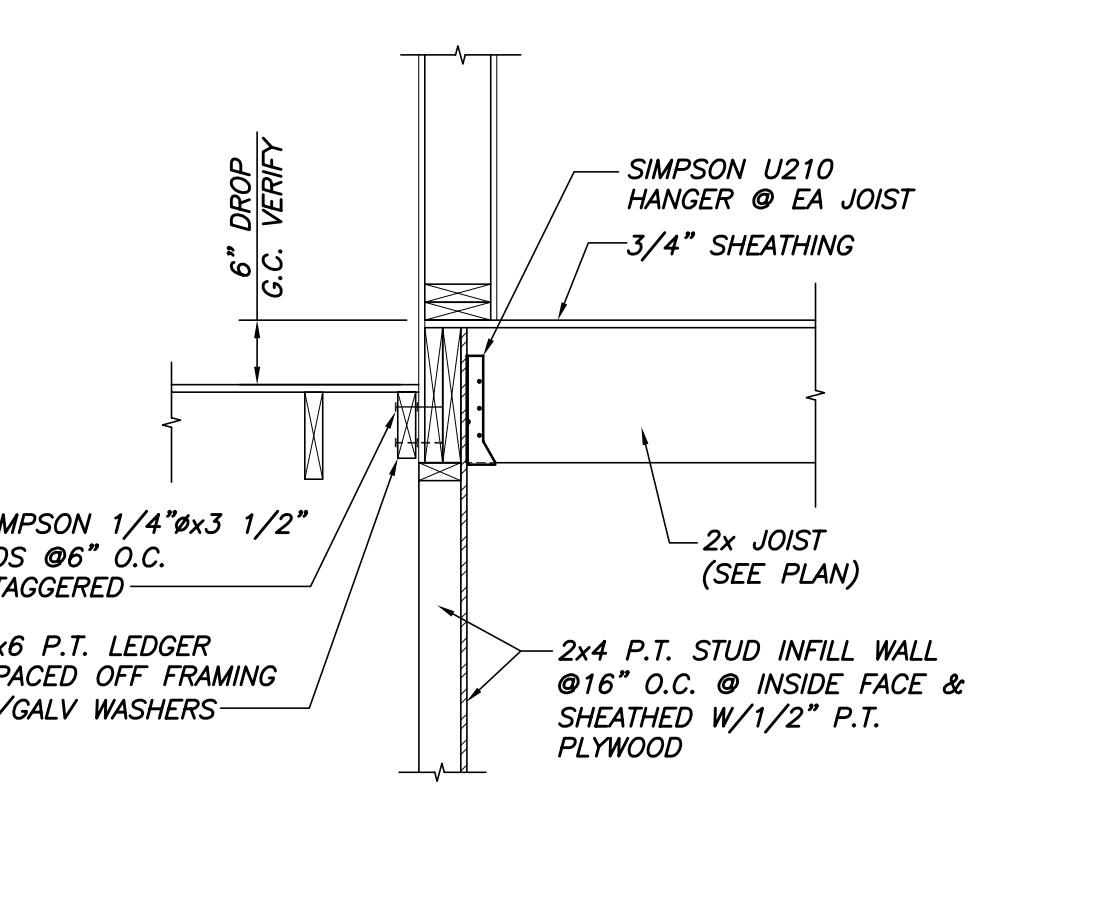
SECTION 8
 3/4"=1'-0"



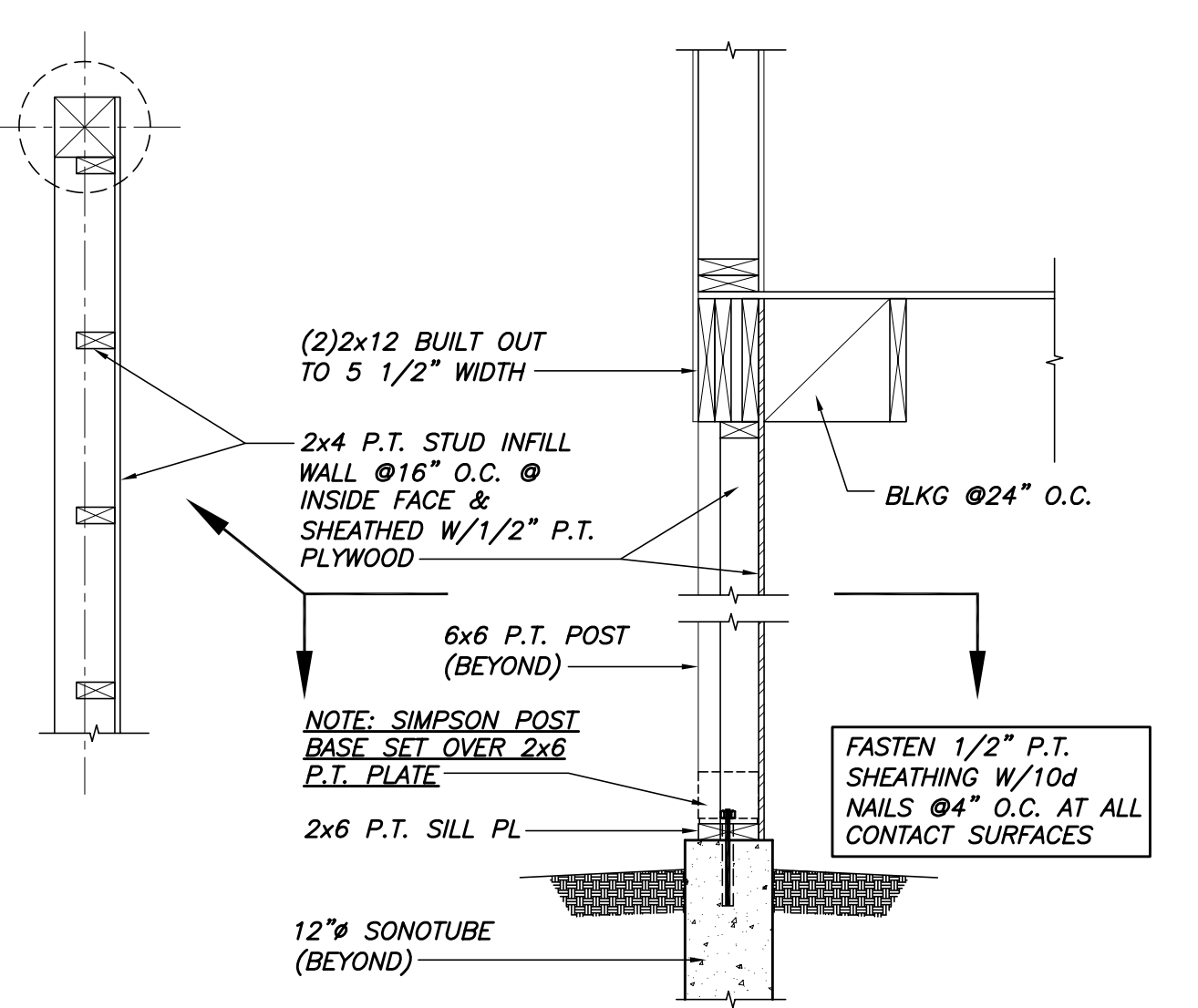
SECTION 7
 3/4"=1'-0"



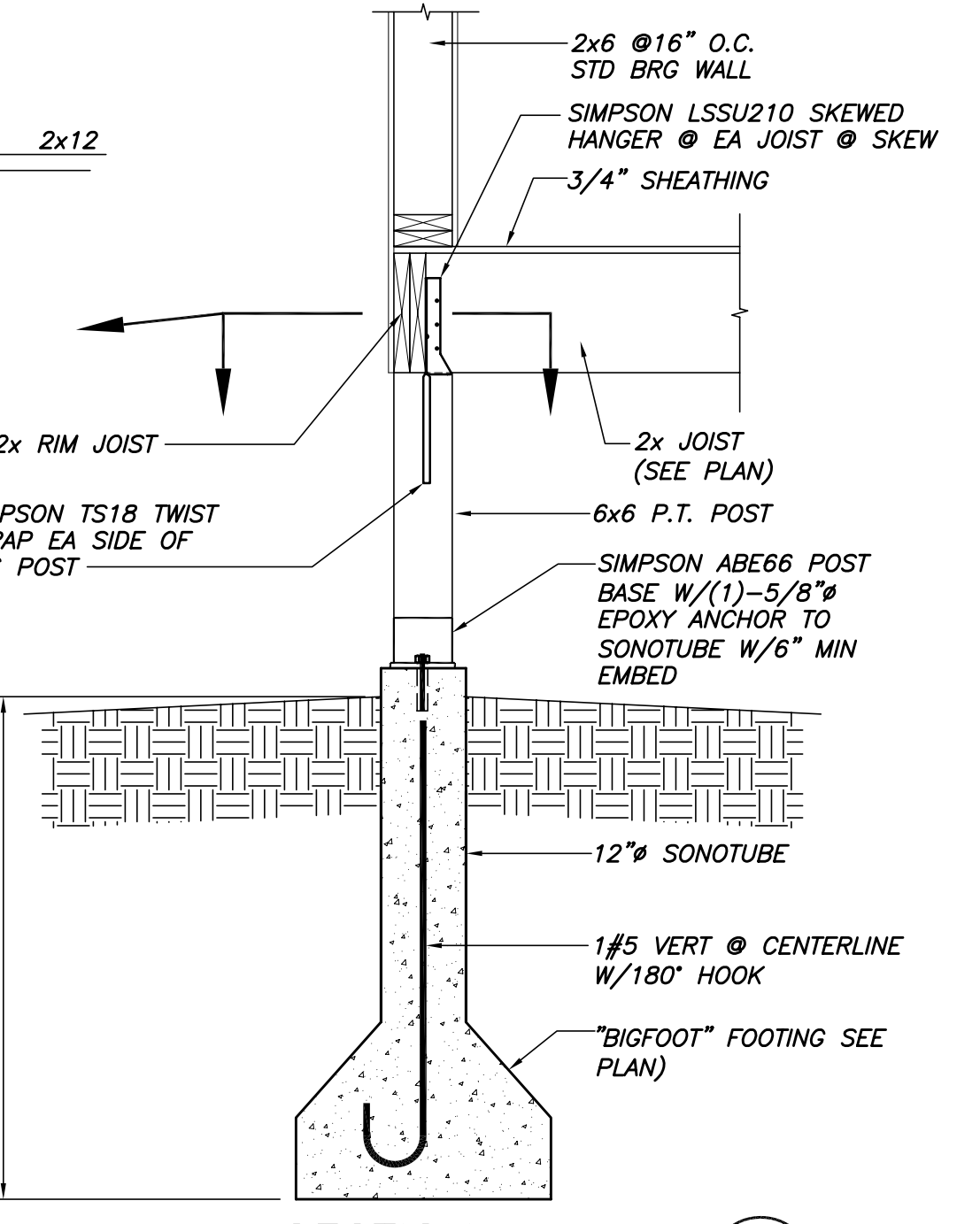
SECTION 6
 3/4"=1'-0"



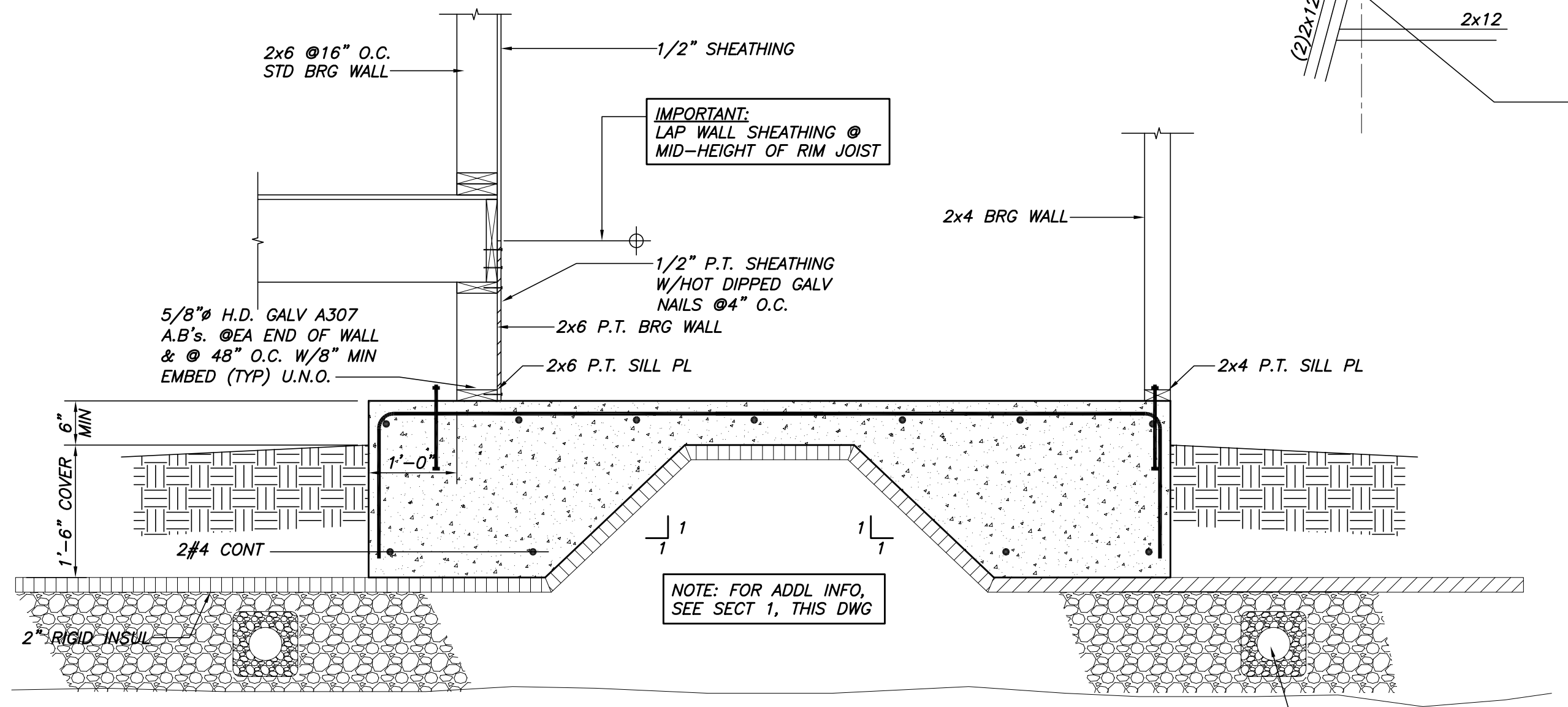
SECTION 5
 3/4"=1'-0"



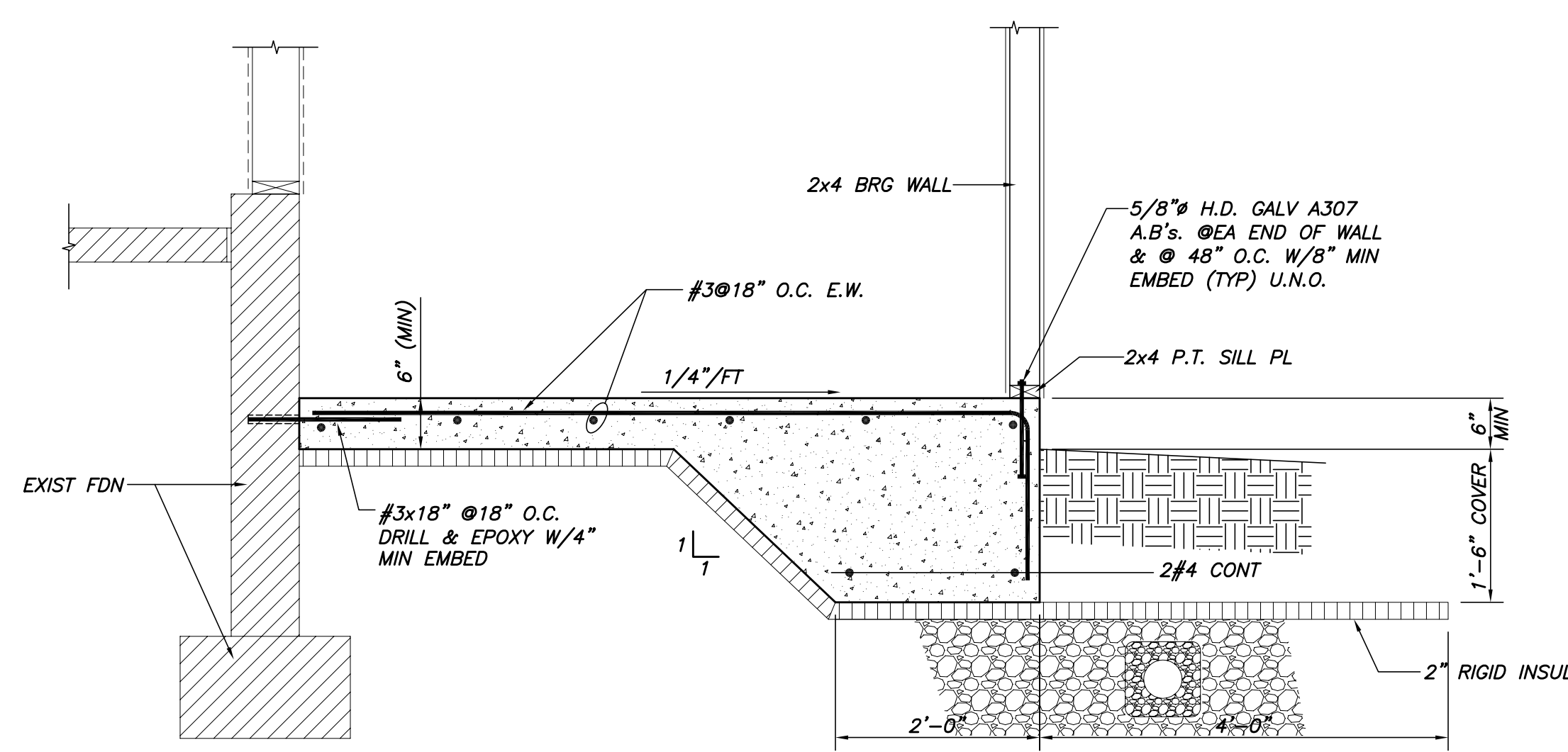
SECTION 4
 3/4"=1'-0"



SECTION 3
 3/4"=1'-0"



SECTION 2
 3/4"=1'-0"



SECTION 1
 3/4"=1'-0"

THIS DRAWING IS AN INSTRUMENT OF SERVICE AND SHALL REMAIN THE PROPERTY OF BECKER STRUCTURAL ENGINEERS INC. IT SHALL NOT BE REPRODUCED, COPIED, LENT OR DISPOSED OF DIRECTLY OR INDIRECTLY NOR USED FOR ANY PURPOSE OTHER THAN FOR WHICH IT IS SPECIFICALLY FURNISHED AND MUST BE RETURNED TO BECKER STRUCTURAL ENGINEERS INC. ON COMPLETION OF WORK, IF REQUESTED.

NOTE: WORK THESE DRAWINGS WITH ARCHITECTURAL DRAWINGS. REFER TO ARCHITECTURAL DRAWINGS FOR DIMENSIONS.