

ROOM FINISH SCHEDULE

NO.	ROOM NAME	FLOOR	BASE	WALL				CEILING	HEIGHT	ROOM NO.	REMARKS
				MAT'L	MAT'L	NORTH	EAST				
1050	DICTIONATION	VCT	RB	PTD-	PTD-	PTD-	PTD-	ACT 1	EXIST	1050	
1051	STORAGE	EXIST.	RB	PTD-	PTD-	PTD-	PTD-	EXIST	EXIST	1051	
1061	THERAPUTIC DINING	SV	RB	PTD-	PTD-	PTD-	PTD-	ACT 1	EXIST	1061	2
1062	GYM 2	VCT	RB	PTD-	PTD-	PTD-	PTD-	EXIST	EXIST	1062	ALTERNATE
1063	OT KITCHEN	VCT	RB	PTD-	PTD-	PTD-	PTD-	EXIST	EXIST	1063	ALTERNATE
1063A	TOILET	VCT	RB	PTD-	PTD-	PTD-	PTD-	ACT 1	EXIST	1063A	
1065C	CORRIDOR	VCT	RB	PTD-	PTD-	PTD-	PTD-	EXIST	EXIST	1065C	ALTERNATE
1066	TREATMENT	VCT	RB	PTD-	PTD-	PTD-	PTD-	EXIST	EXIST	1066	ALTERNATE
1067	SPEECH	VCT	RB	PTD-	PTD-	PTD-	PTD-	EXIST	EXIST	1067	ALTERNATE
1068	EQUIPMENT	VCT	RB	PTD-	PTD-	PTD-	PTD-	ACT 1	EXIST	1068	
1069	QUIET TREATMENT	CPT	RB	PTD-	PTD-	PTD-	PTD-	ACT 1	EXIST	1069	
1070	GYM 1	VCT	RB	PTD-	PTD-	PTD-	PTD-	ACT 1	EXIST	1070	1
1074	STAFF	CPT	RB	PTD-	PTD-	PTD-	PTD-	ACT 1	EXIST	1074	1
1074A	WORKROOM	VCT	RB	PTD-	PTD-	PTD-	PTD-	ACT 1	EXIST	1074A	

FINISH SCHEDULE REMARKS KEY:

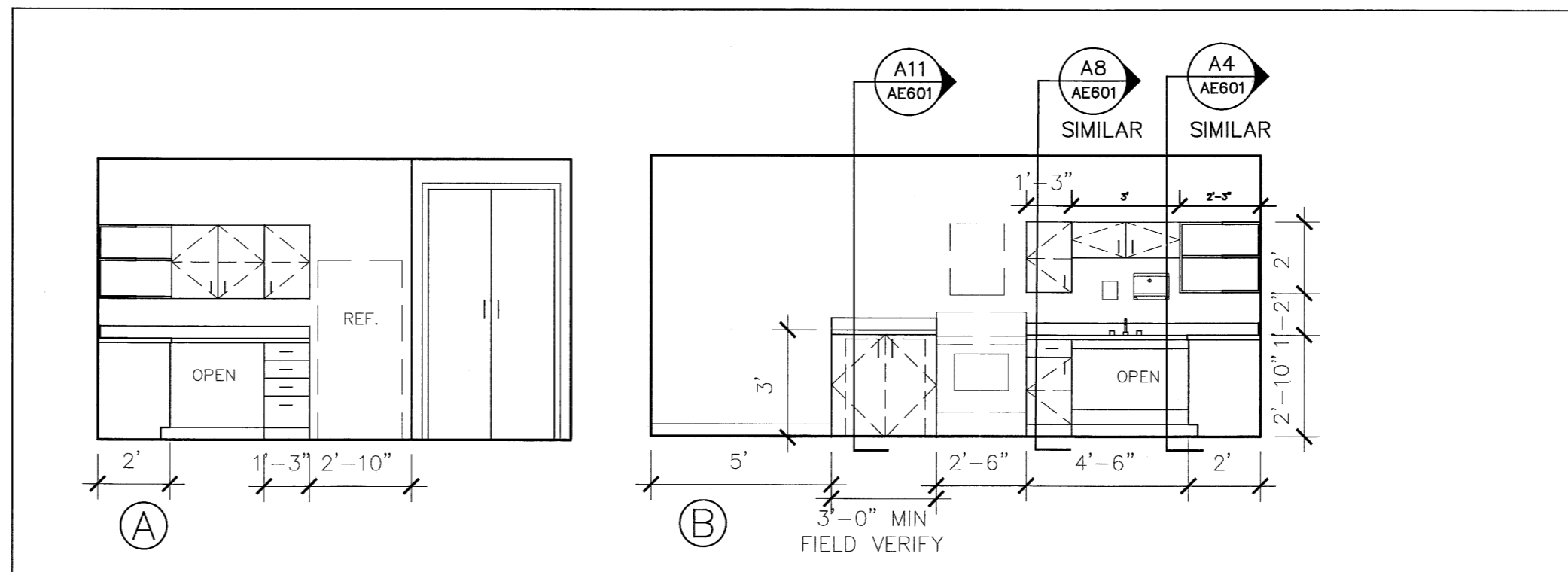
- PAINT EXISTING FIN TUBE TO MATCH WALL COLOR.
- PROVIDE CHAIR RAIL AND SHEET WALL PROTECTION WAINSCOT AT LOCATIONS INDICATED ON FLOOR PLAN.
- WHERE "ALTERNATE" IS LISTED IN THE REMARKS COLUMN, NEW FINISH INCLUDED IN BASE BID IS PAINT ONLY. INCLUDE ALTERNATE PRICING FOR FLOOR, BASE AND CEILING FINISHES SCHEDULED.

DOOR SCHEDULE

DOOR NO.	DOOR			GLAZE	DETAILS					HWS	FIRE RTG. (MIN.)	DOOR NO.	REMARKS
	SIZE	MAT'L	ELEVATION		MAT'L	ELEV	HEAD	JAMB	SILL				
1050	3'-0" X 7'-0"	WD	HG	TEMP	HM	1	*	*	*	5		1050	
1051	4'-0" X 7'-0"	WD	NG	WIRE	HM	1	*	*	*	6	45	1051	
1061A	3'-0" X 7'-0"	WD	NG	WIRE	HM	1	*	*	*	1	45	1061A	ELECTRICAL DOOR HARDWARE
1061B	3'-8" X 7'-0"	WD	HG	TEMP	HM	1	*	*	*	2		1061B	ELECTRICAL DOOR HARDWARE
1062A	PR 1'-6" X 7'-0"	WD	F	*	HM	1	*	*	*	*		1062A	
1062B	PR 1'-6" X 7'-0"	WD	F	*	HM	1	*	*	*	*		1062B	
1063A	PR 1'-9" X 7'-0"	WD	F	*	HM	1	*	*	*	EXIST		1063A	ALTERNATE
1063B	3'-0" X 7'-0"	WD	F	*	HM	1	*	*	*	EXIST		1063B	ALTERNATE
1065C	3'-0" X 7'-0"	WD	NG	*	HM	1	*	*	*	EXIST		1065C	ALTERNATE
1067	3'-0" X 7'-0"	WD	NG	TEMP	HM	1	*	*	*	3		1067	ALTERNATE
1069	3'-0" X 7'-0"	WD	NG	TEMP	HM	1	*	*	*	3		1069	
1070A	3'-0" X 7'-0"	WD	NG	TEMP	HM	1	*	*	*	EXIST		1070A	ALTERNATE
1070B	3'-0" X 7'-0"	WD	NG	TEMP	HM	1	*	*	*	EXIST		1070B	ALTERNATE
1074A	3'-0" X 7'-0"	WD	HG	TEMP	HM	1	*	*	*	4		1074A	ALTERNATE
1074B	3'-0" X 7'-0"	WD	NG	WIRE	HM	1	*	*	*	5	45	1074B	

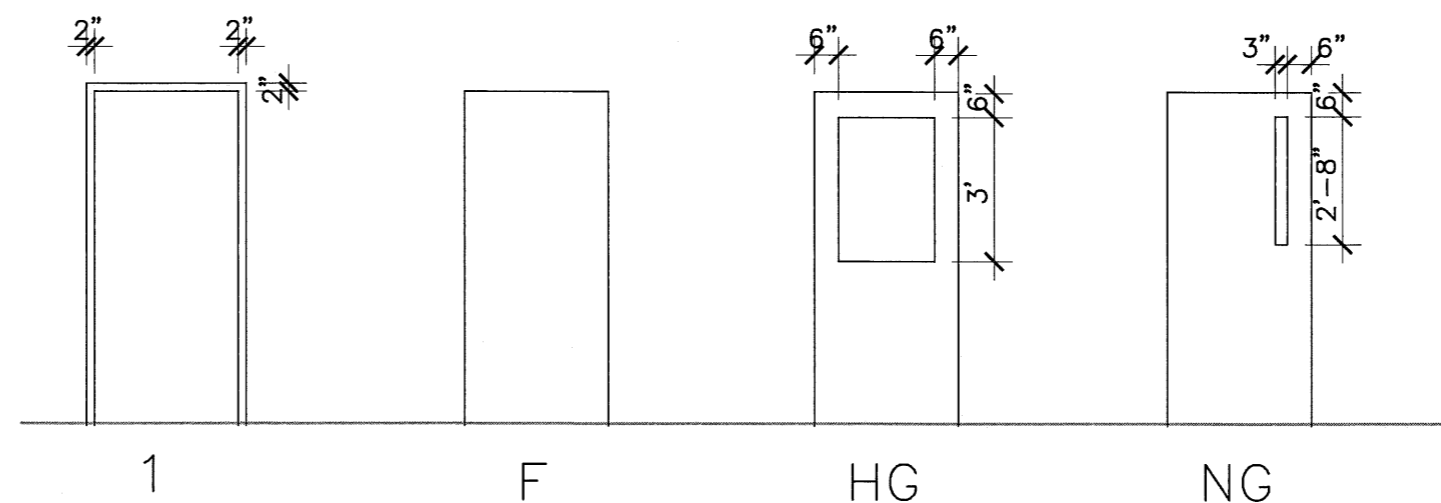
DOOR SCHEDULE REMARKS KEY:

- CUT NEW LITE INTO EXISTING DOOR.
- WHERE "ALTERNATE" IS LISTED IN THE REMARKS COLUMN, PROVIDE ALTERNATE PRICING TO PROVIDE NEW DOOR AND LITE AND RE-USE EXISTING HARDWARE. VERIFY EXISTING DOOR SIZES.



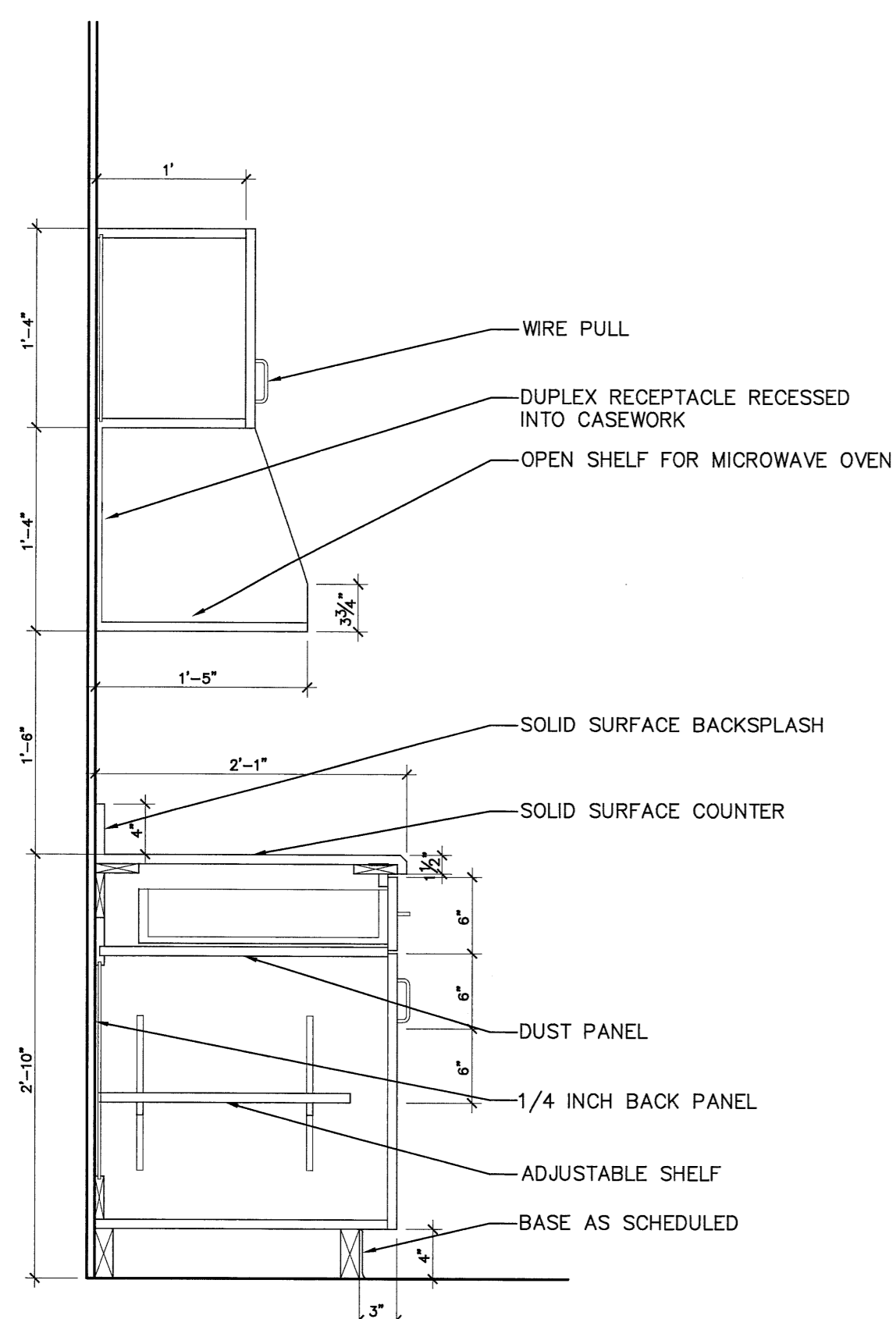
L8 OT KITCHEN ELEVATIONS (ALTERNATE)

1/4" = 1'-0"



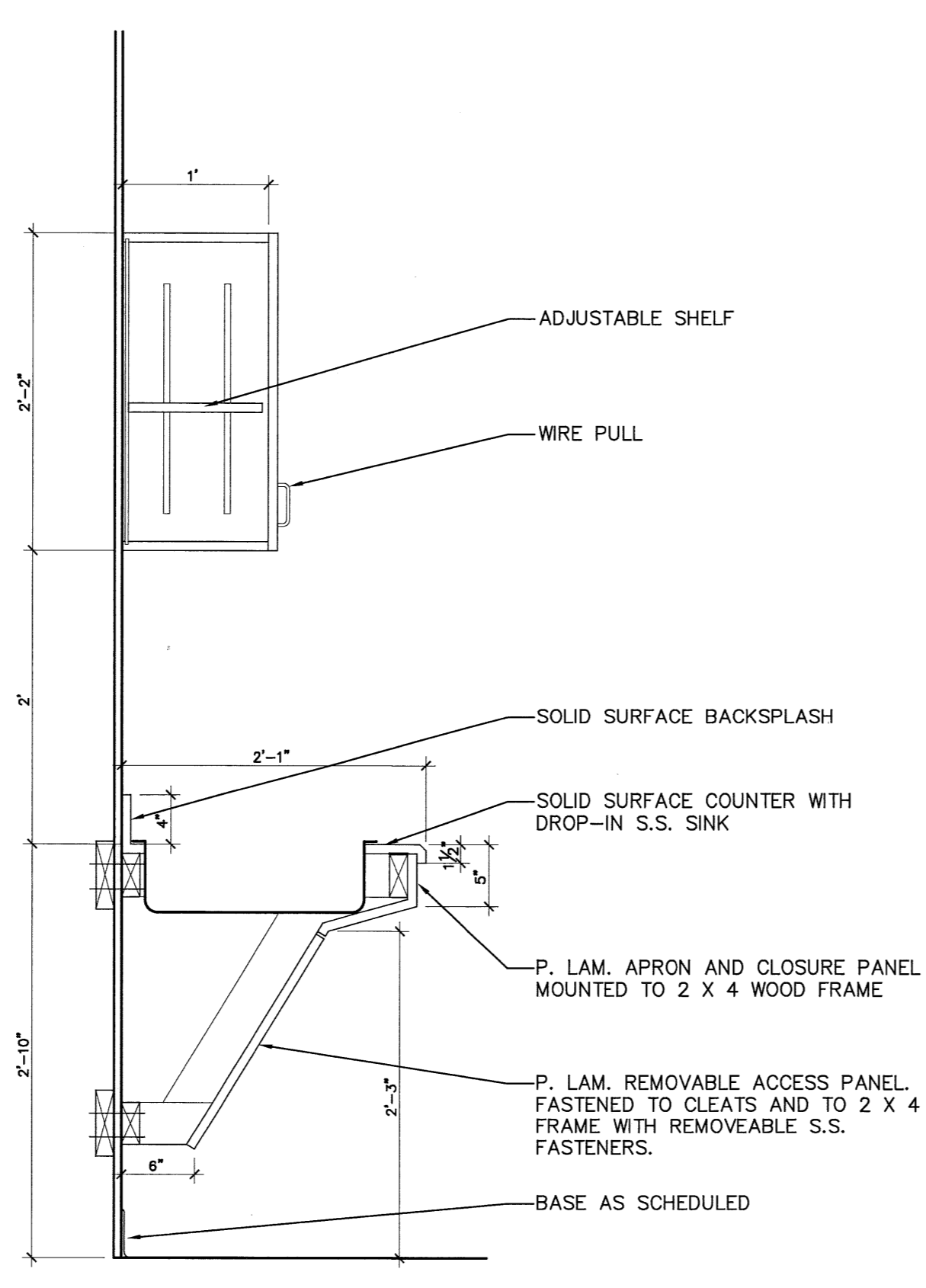
G8 DOOR AND FRAME ELEVATIONS

1/4" = 1'-0"



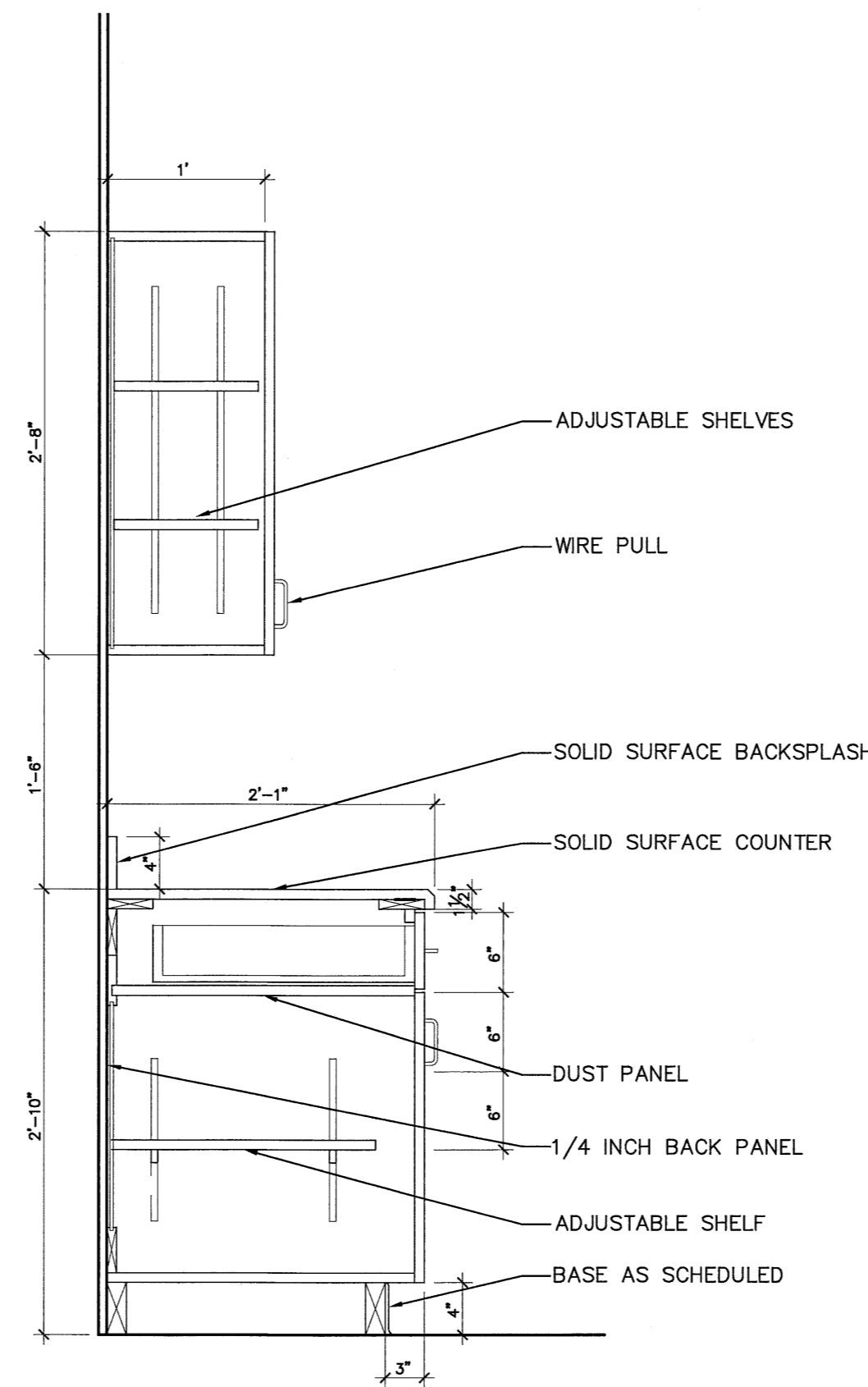
A1 KITCHENETTE CASEWORK DETAIL

1" = 1'-0"



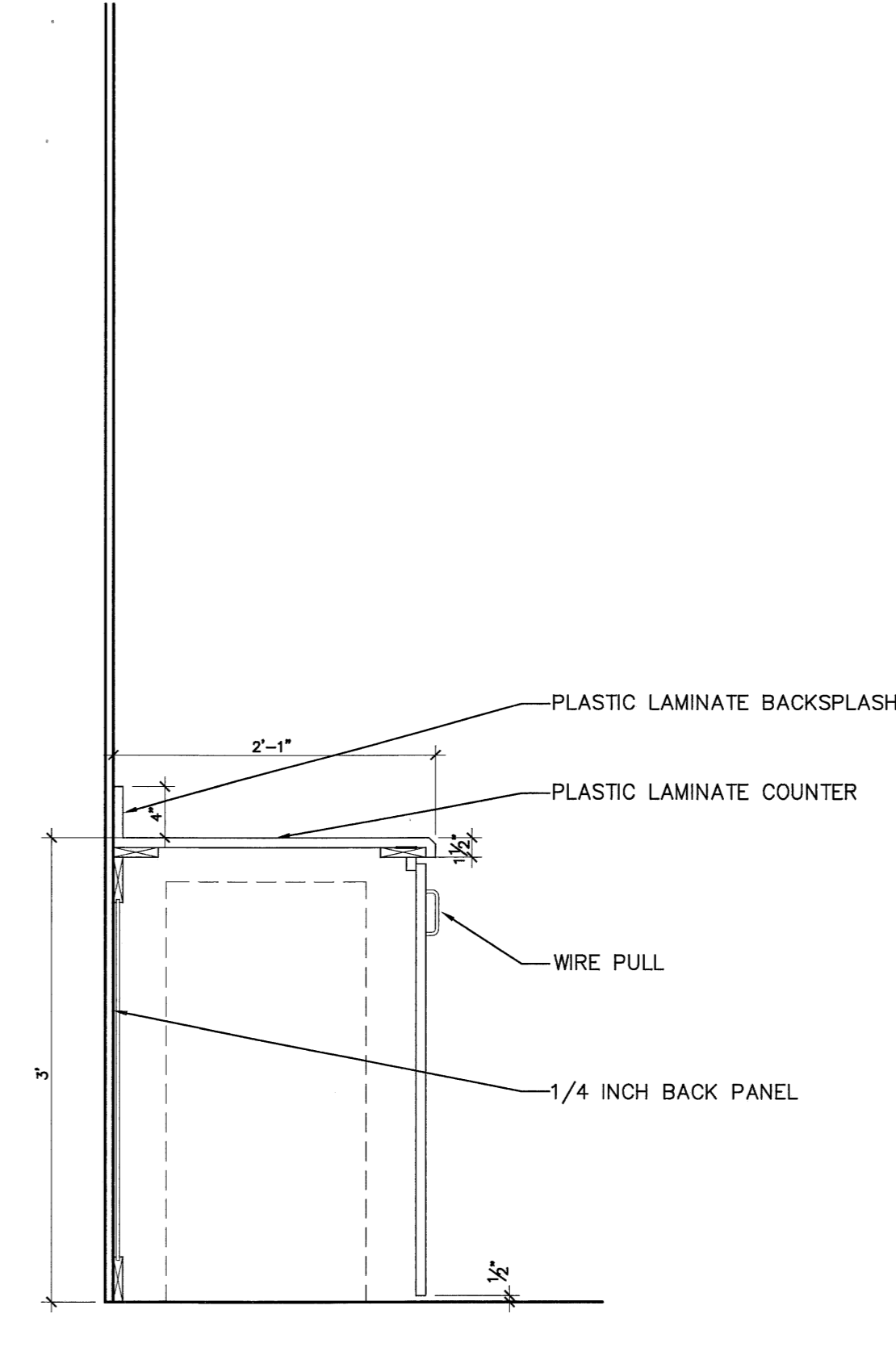
A4 KITCHENETTE CASEWORK DETAIL

1" = 1'-0"



A8 KITCHENETTE CASEWORK DETAIL

1" = 1'-0"



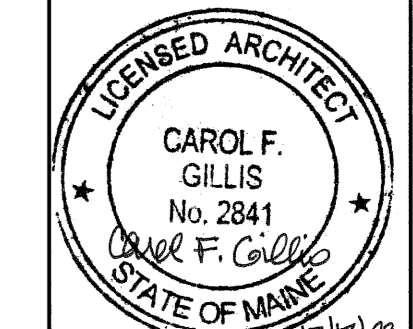
A11 DISH CART STORAGE CABINET DETAIL

1" = 1'-0"

---	---	---
---	---	---
0	ISSUED FOR CONSTRUCTION	12/12/08
REV.	DESCRIPTION	

ISSUED FOR CONSTRUCTION
12/12/08

CURRENT ISSUE STATUS:



DESIGN GROUP COLLABORATIVE
ARCHITECTURE
DESIGN + PLANNING
22 FREE STREET
PORTLAND, MAINE 04101
(207) 699-3300

NEW ENGLAND REHABILITATION HOSPITAL OF PORTLAND
FIRST FLOOR GYM RENOVATIONS
PORTLAND, MAINE

SCHEDULES AND CASEWORK DETAILS

SHEET TITLE:		
DATE:	12/12/08	GRAPHIC SCALE: 0" = 1'-0"
SCALE:	AS NOTED	
PROJECT NO.:	08011	SHEET No.:
DRAWN BY:	CFG	AE 601
A/E OF RECORD:	CFG	