

ROOM FINISH SCHEDULE

NO.	ROOM NAME	FLOOR	BASE	WALL				CEILING		ROOM	REMARKS
		MAT'L	MAT'L	NORTH	EAST	SOUTH	WEST	MAT'L	HEIGHT	NO.	
G015	WORKROOM	EXIST	EXIST	PTD-	PTD-	PTD-	PTD-	EXIST	EXIST	G015	1
G016	ULTRASOUND 1	SV	RB	PTD-	PTD-	PTD-	PTD-	ACT 1	9'-6"	G016	1, 2
G017	RADIOLOGY 3	SV	RB	PTD-	PTD-	PTD-	PTD-	ACT 1	9'-6"	G017	2
G043	ULTRASOUND 2	SV	RB	PTD-	PTD-	PTD-	PTD-	ACT 1	9'-6"	G043	2
G044	TOILET	CT	CT	PTD-	PTD-	PTD-	PTD-	ACT 1	8'-0"	G044	
G045	TOILET	CT	CT	PTD-	PTD-	PTD-	PTD-	ACT 1	8'-0"	G045	

REMARKS KEY:

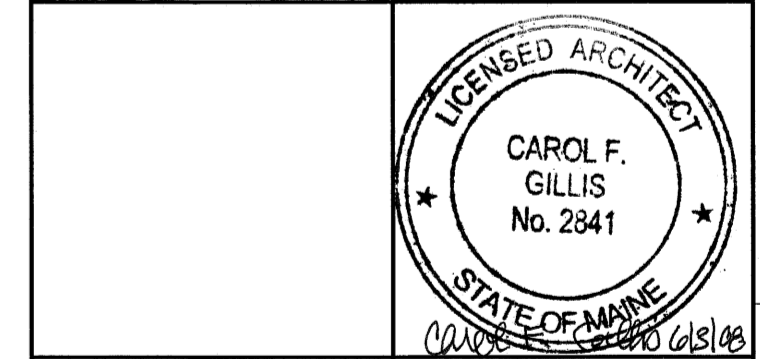
1. PAINT EXISTING FIN TUBE TO MATCH WALL COLOR.
2. PROVIDE CHAIR RAIL AND SHEET WALL PROTECTION WAINSCOT AT LOCATIONS INDICATED ON FLOOR PLAN.

DOOR SCHEDULE

DOOR NO.	DOOR			GLAZE	DETAILS					HWS	FIRE RTG. (MIN.)	DOOR NO.	REMARKS
	SIZE	MAT'L	ELEVATION		MAT'L	ELEV	HEAD	JAMB	SILL				
G016	3'-0" X 7'-0"	WD	F	*	HM	1	*	*	*	1	*	G016	-
G044	3'-0" X 7'-0"	WD	F	*	HM	1	*	*	*	2	*	G044	-
G045	3'-0" X 7'-0"	WD	F	*	HM	1	*	*	*	2	*	G045	-

REV.	DESCRIPTION	DATE
0	ISSUED FOR CONSTRUCTION	6/2/08

ISSUED FOR CONSTRUCTION
6/2/08

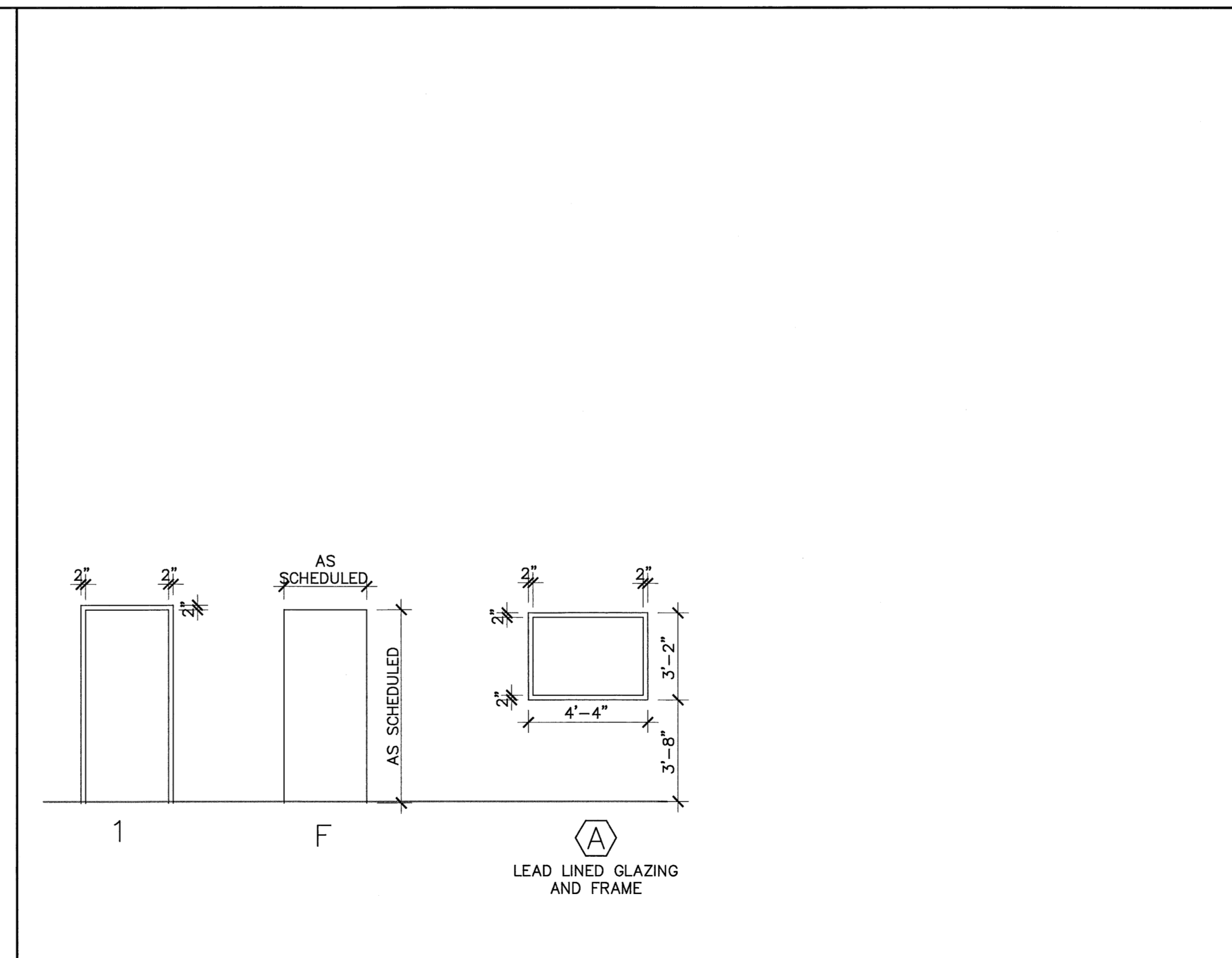
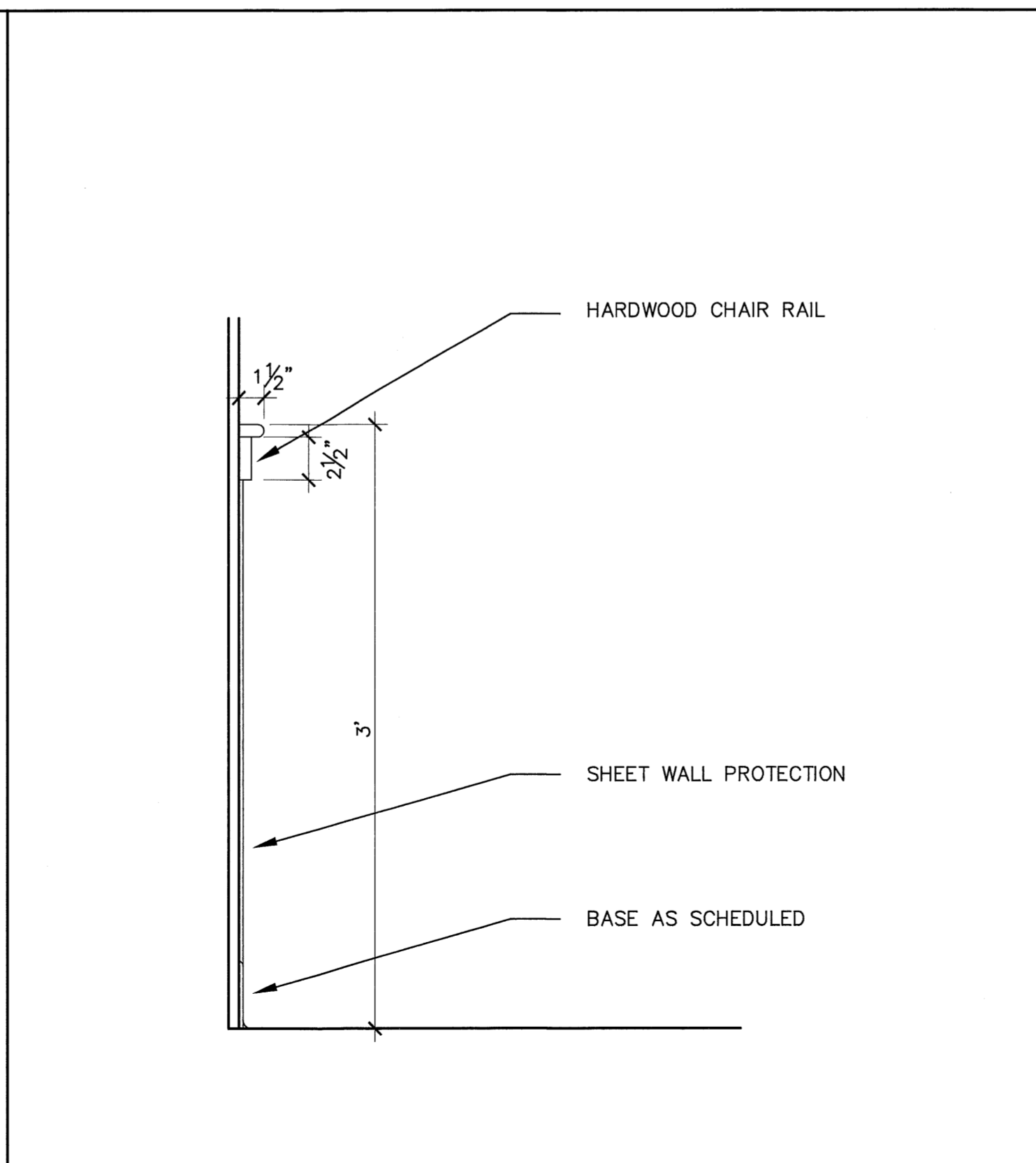
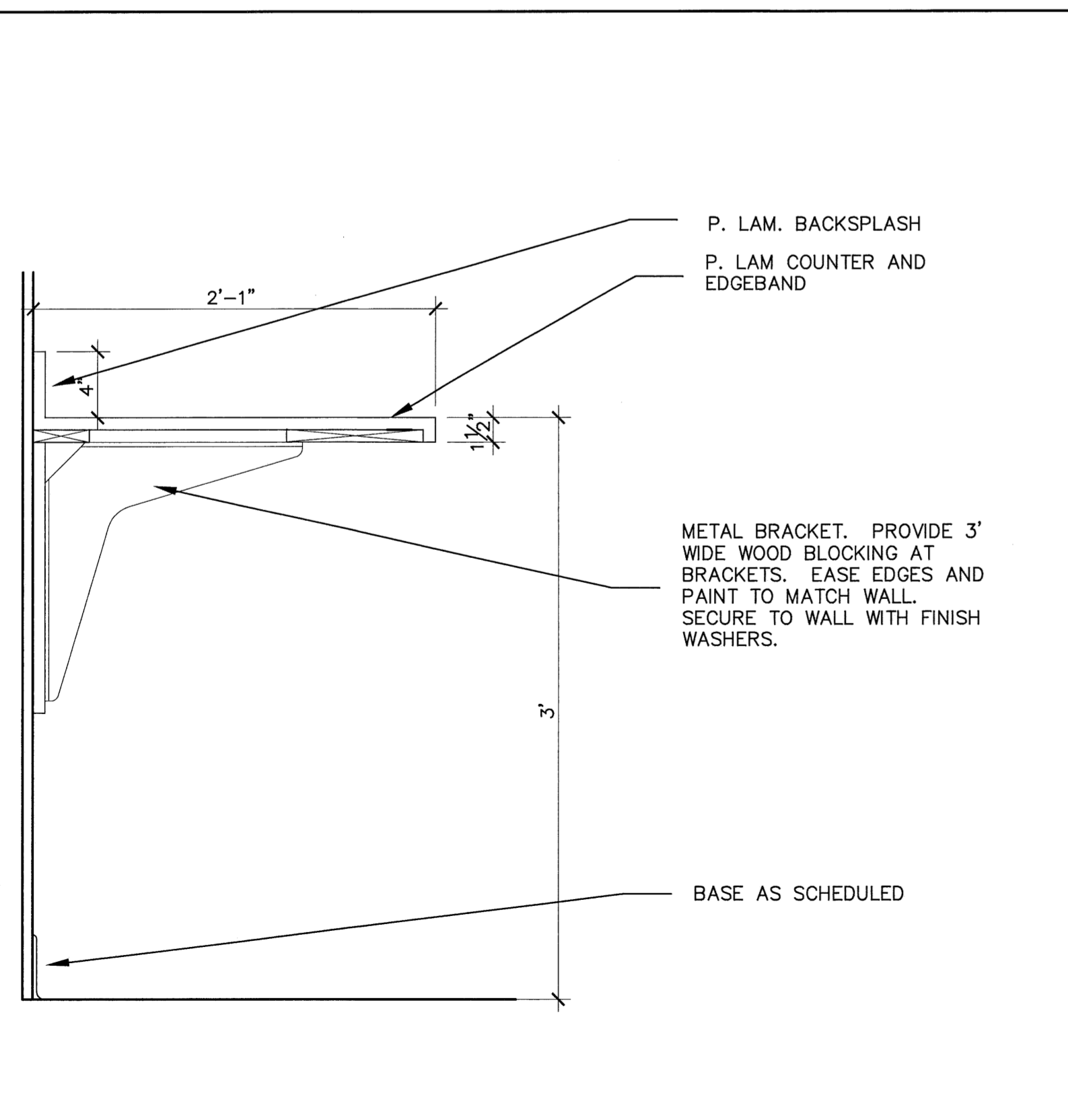


DESIGN GROUP COLLABORATIVE
ARCHITECTURE
DESIGN + PLANNING
22 FREE STREET
PORTLAND, MAINE 04101
(207) 699-3300

**MMC BRIGHTON CAMPUS
RADIOLOGY RENOVATIONS**
PORTLAND, MAINE

SCHEDULES AND DETAILS

SHEET TITLE:	SCHEDULES AND DETAILS	
DATE:	5/30/08	GRAPHIC SCALE: 1" = 0'
SCALE:	AS NOTED	
PROJECT NO.	08003	SHEET No.
DRAWN BY:	CFG	AE 601
A/E OF RECORD:	CFG	



A1 WORK COUNTER DETAIL
1 1/2" = 1'-0"

A5 CHAIR RAIL/WALL PROTECTION DETAIL
1 1/2" = 1'-0"

A5 DOOR, FRAME AND WINDOW ELEVATIONS
1/4" = 1'-0"