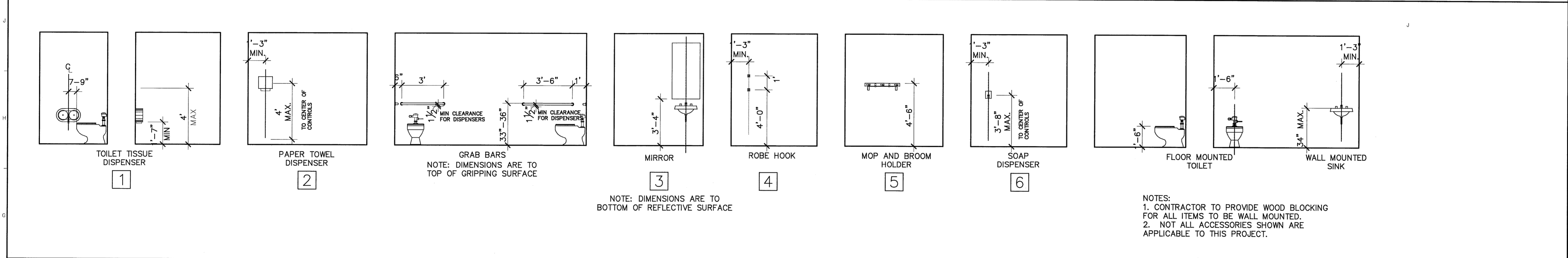
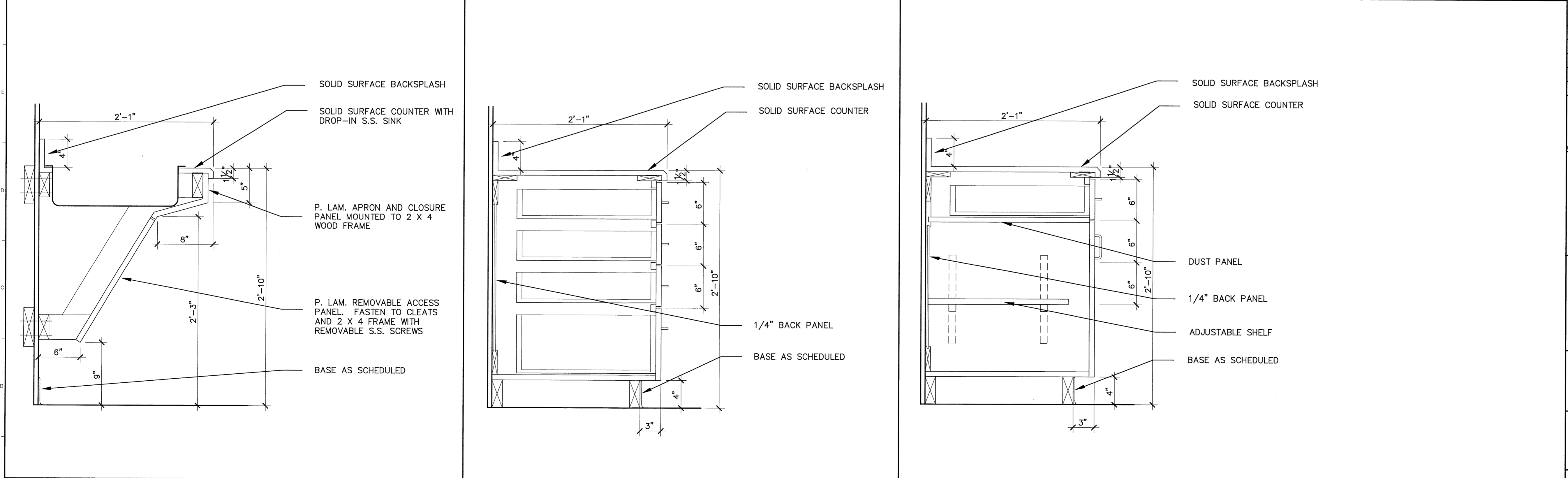


K1	ULTRASOUND 1 G016	K4	ULTRASOUND 2 G043	K8	RADIOLOGY 3 G017
1/4" = 1'-0"	--	1/4" = 1'-0"	--	1/4" = 1'-0"	--



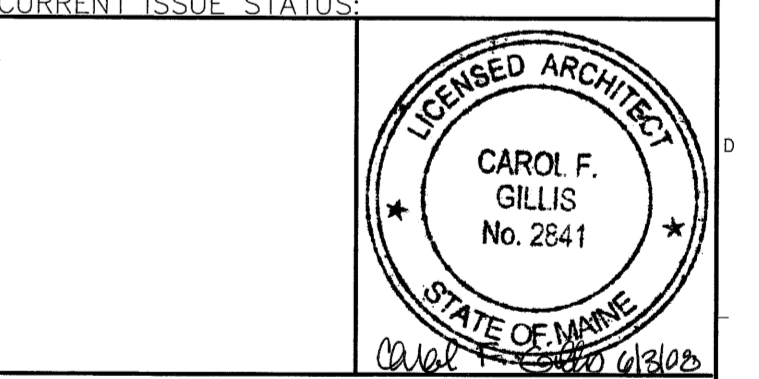
F1	TOILET ACCESSORY KEY AND TYPICAL MOUNTING HEIGHTS
1/4" = 1'-0"	--



A1	SINK COUNTER DETAIL	A5	BASE CABINET DETAIL	A9	BASE CABINET DETAIL
1 1/2" = 1'-0"	--	1 1/2" = 1'-0"	--	1 1/2" = 1'-0"	--

REV.	DESCRIPTION	DATE
0	ISSUED FOR CONSTRUCTION	6/2/08

ISSUED FOR CONSTRUCTION
6/2/08



DESIGN GROUP COLLABORATIVE
 ARCHITECTURE
 DESIGN + PLANNING
 22 FREE STREET
 PORTLAND, MAINE 04101
 (207) 699-3300

MMC BRIGHTON CAMPUS RADIOLOGY RENOVATIONS
 PORTLAND, MAINE

INTERIOR ELEVATIONS AND DETAILS

SHEET TITLE:	DATE:	SCALE:	GRAPHIC SCALE:
	5/30/08	AS NOTED	0" = 1"
PROJECT NO.:	DRAWN BY:	A/E OF RECORD:	
08003	CFG	CFG	
			AE 201