

RECEPTION DESK FINISHES:

SOLID SURFACE:
SS1: CORIAN TUMBLEWEED

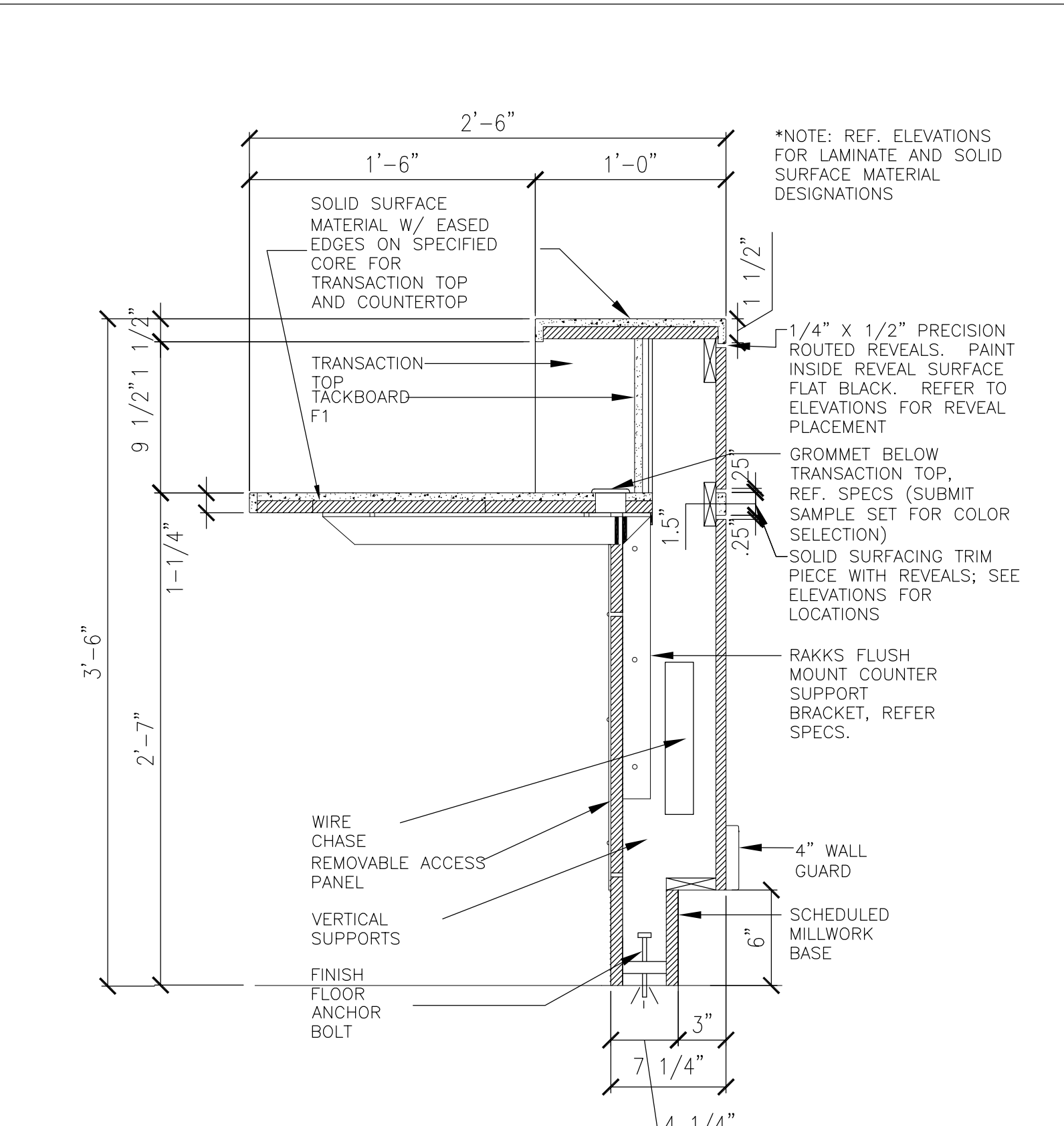
LAMINATE:
WILSONART
PREMIUM LAMINATE
COLOBIAN WALNUT
7943K-07
AEON SCUFF RESISTANCE

TACKBOARD FABRIC:
TBD
CARRY ALLOWANCE FOR GRADE 2

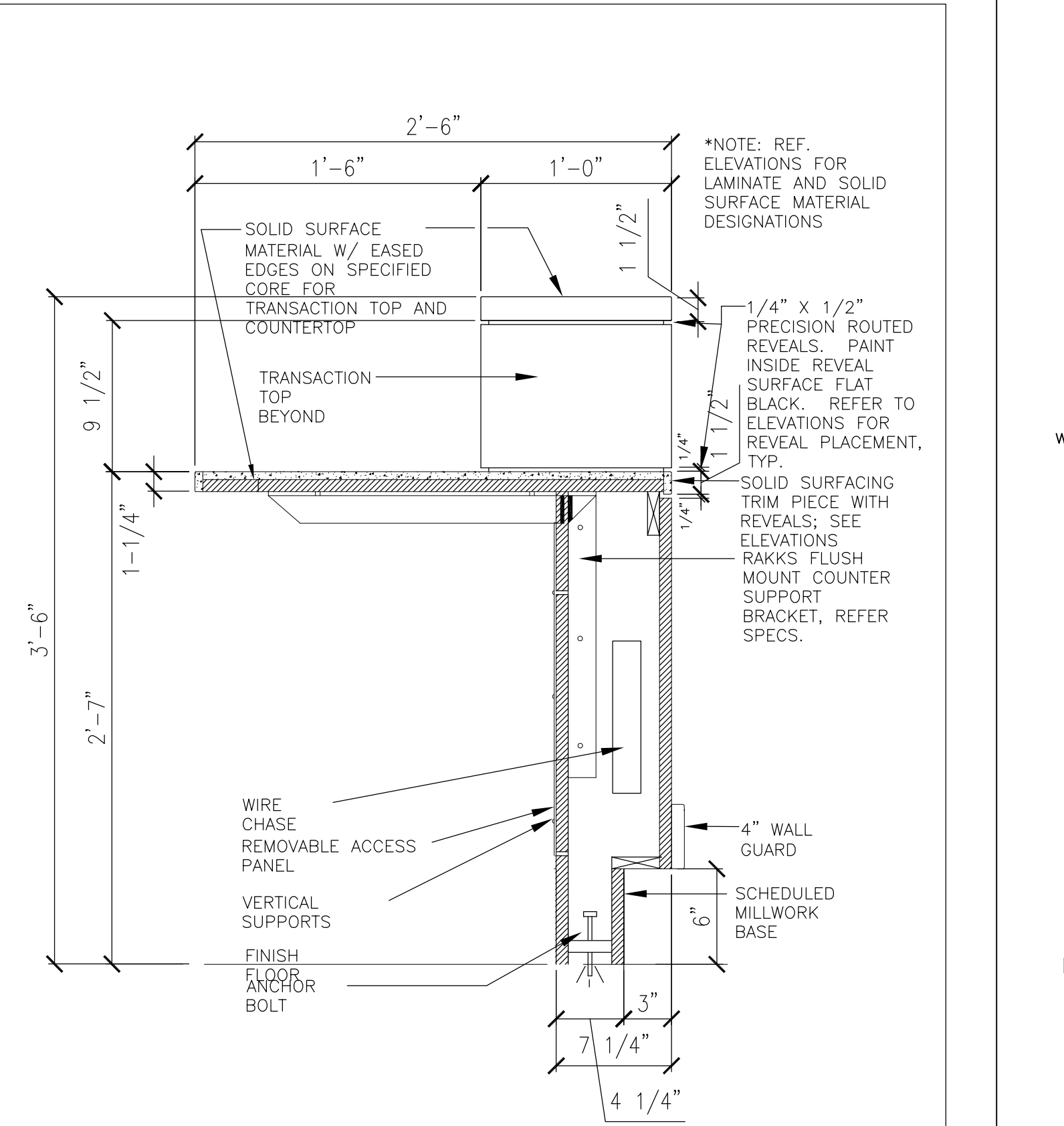
6" VINYL BASE: COLOR GANACHE - SEE A5 FINISH PLAN

SEE FINISH PLAN FOR CRASH RAIL AND CORNER GUARDS

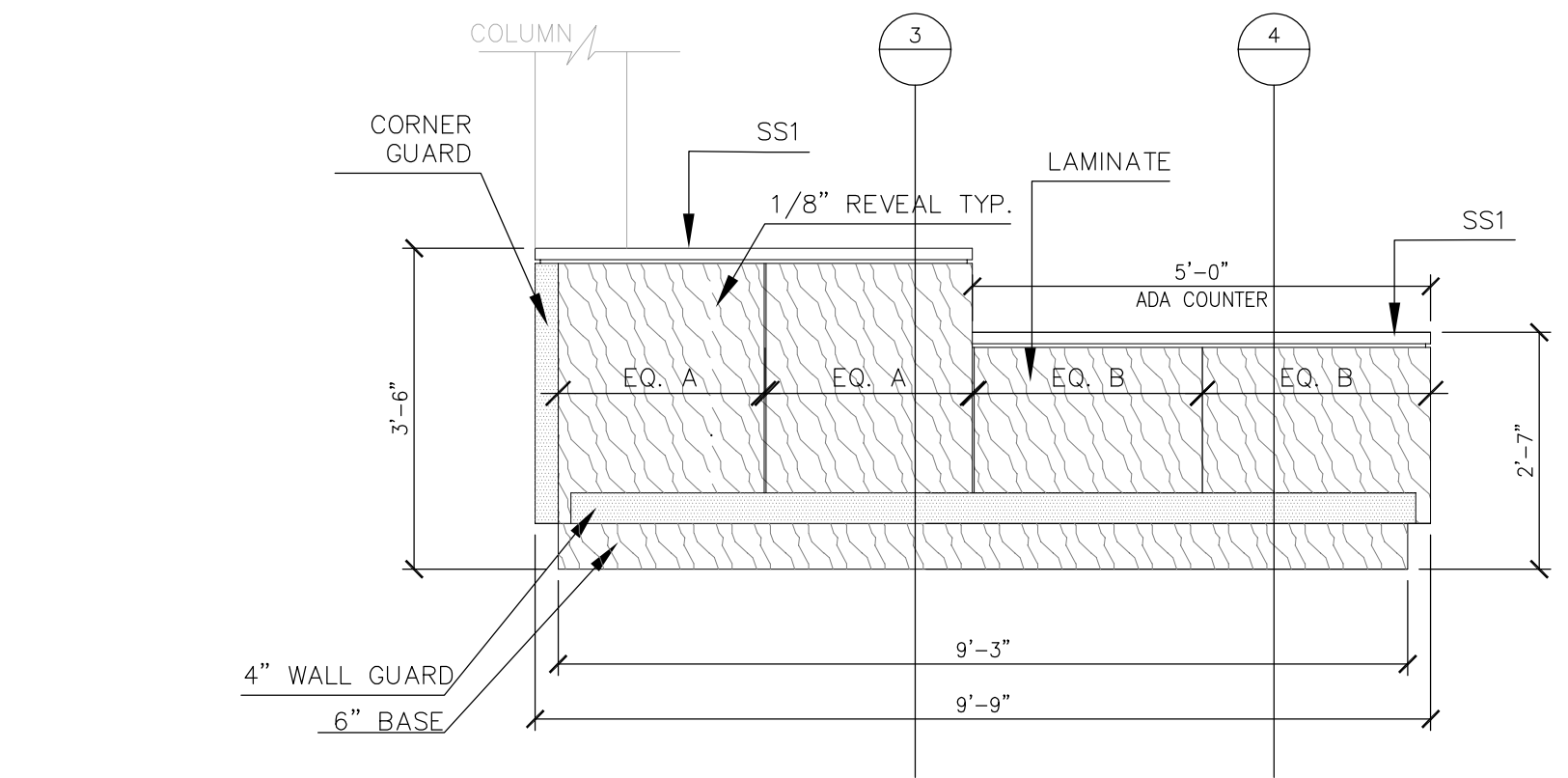
RECEPTION DESK PLAN VIEW
3/8" = 1'-0"



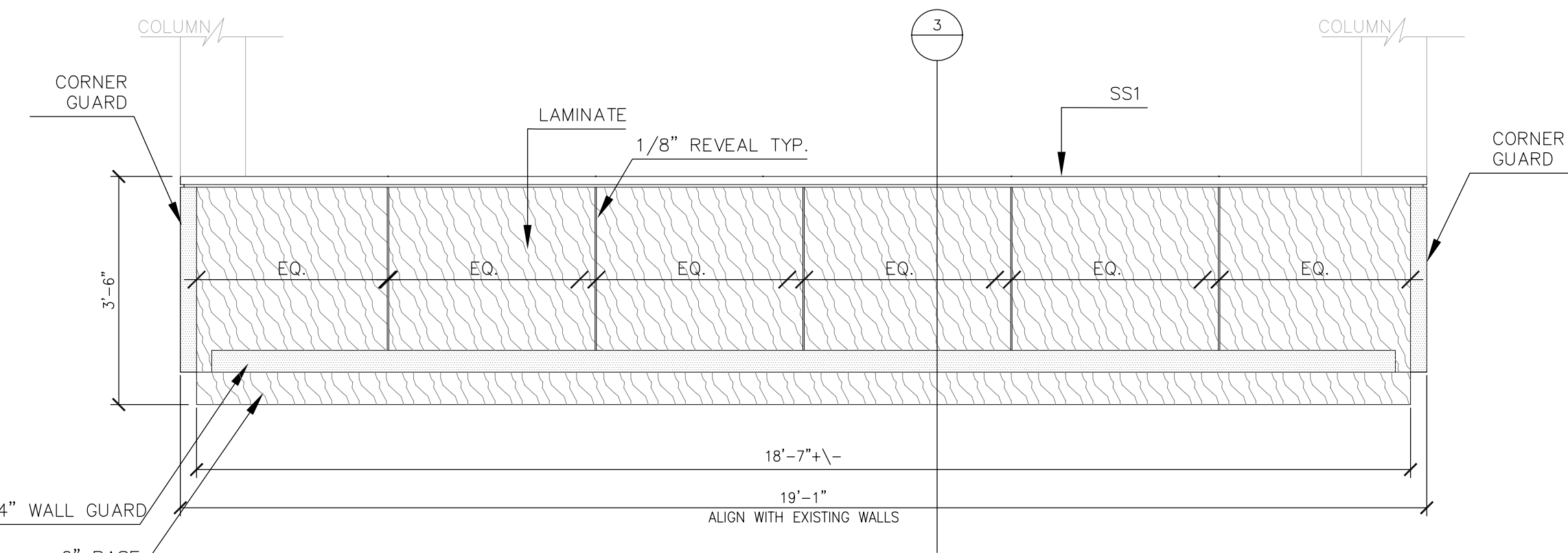
SECTION 3 AT HIGH COUNTER AT NURSE STATION
SCALE: 1-1/2" = 1'-0"



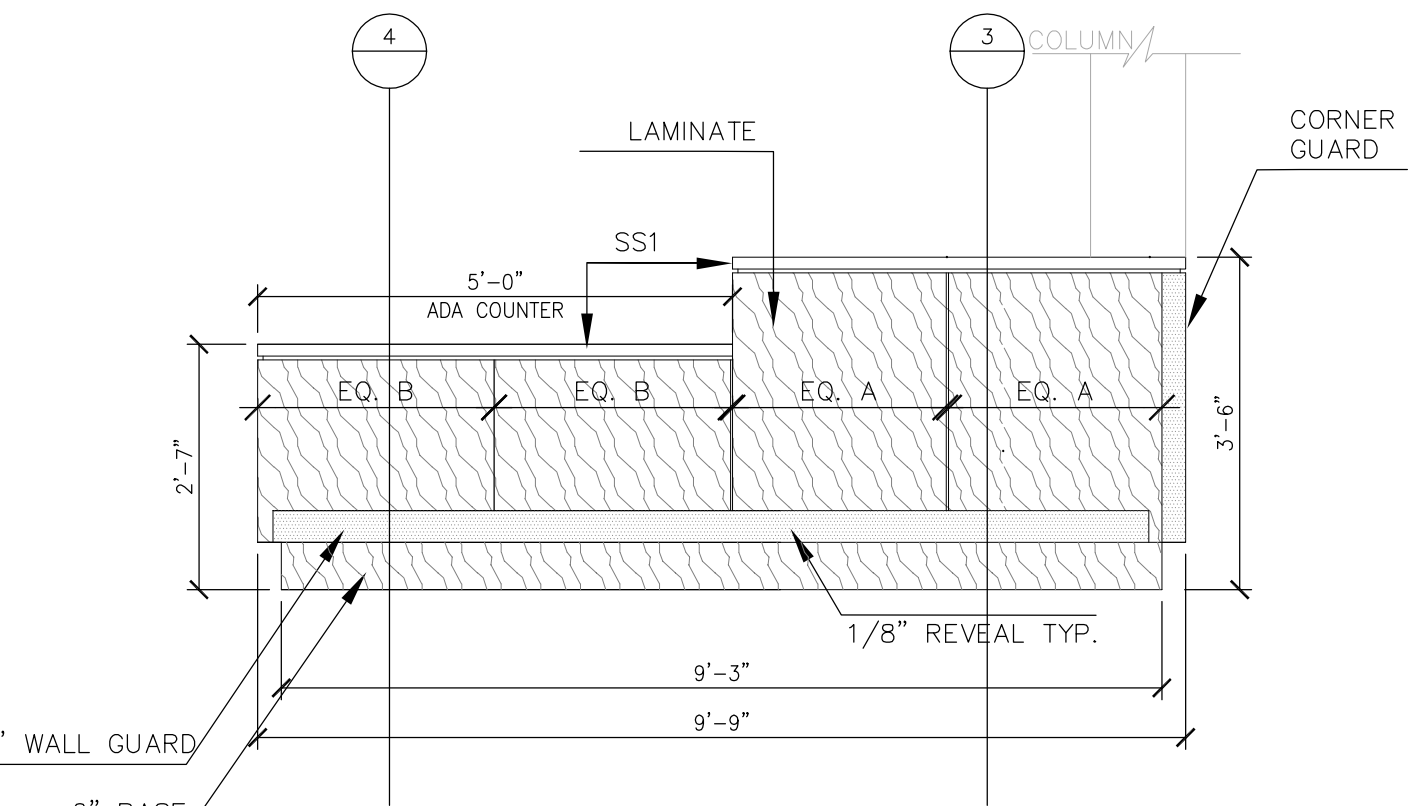
SECTION 4 AT LOW COUNTER AT NURSE STATION
SCALE: 1-1/2" = 1'-0"



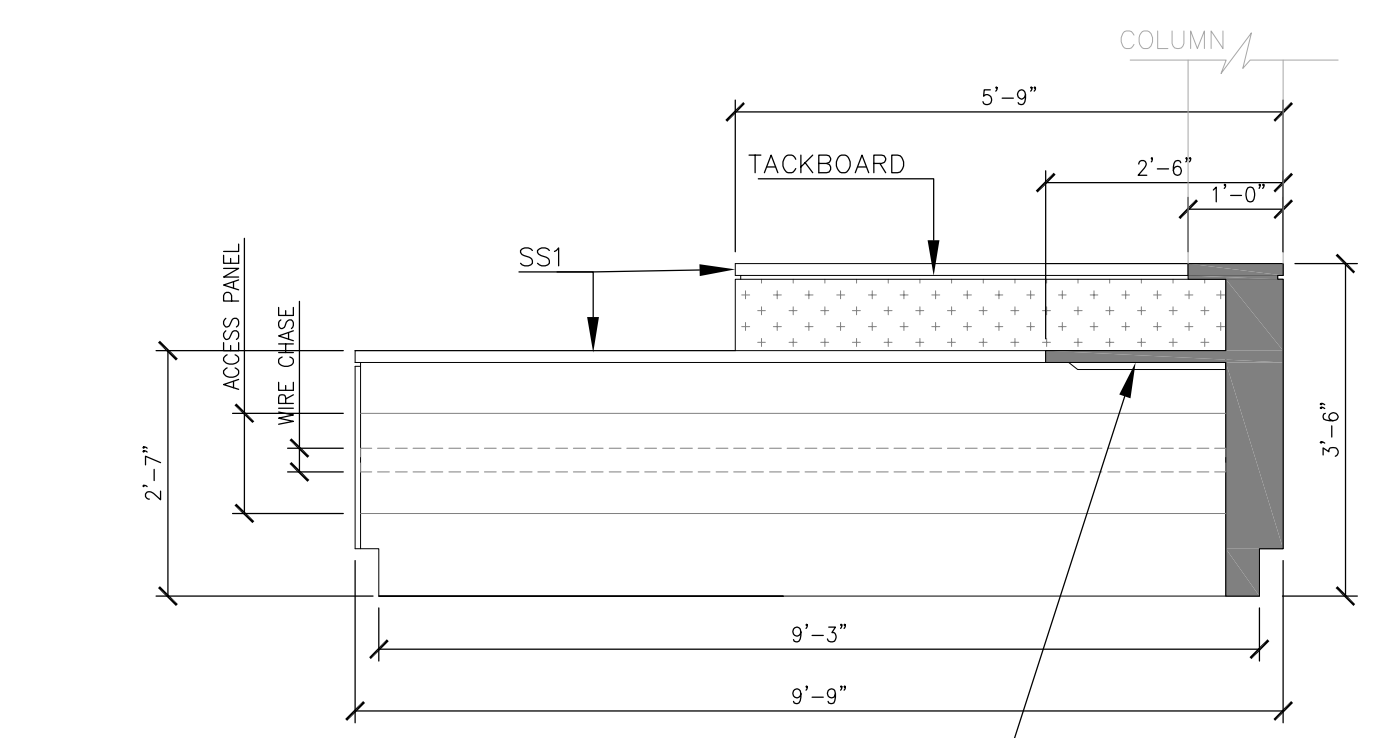
3 SIDE ELEVATION
1/2" = 1'-0"



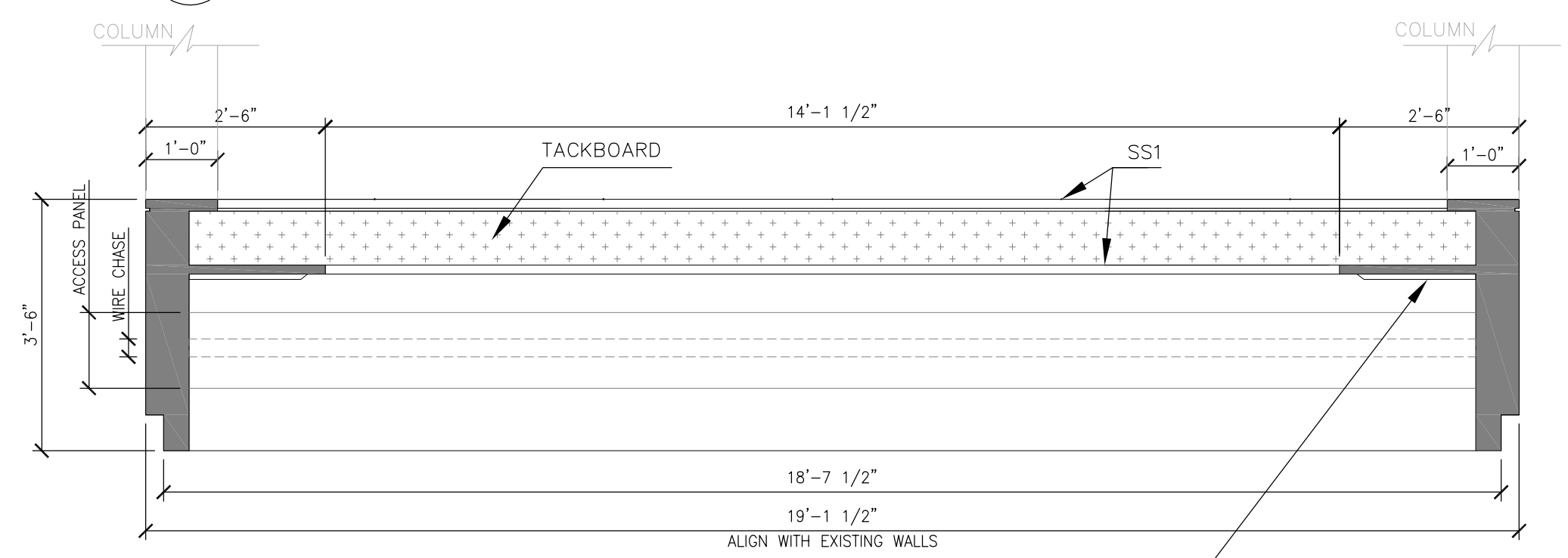
4 FRONT ELEVATION
1/2" = 1'-0"



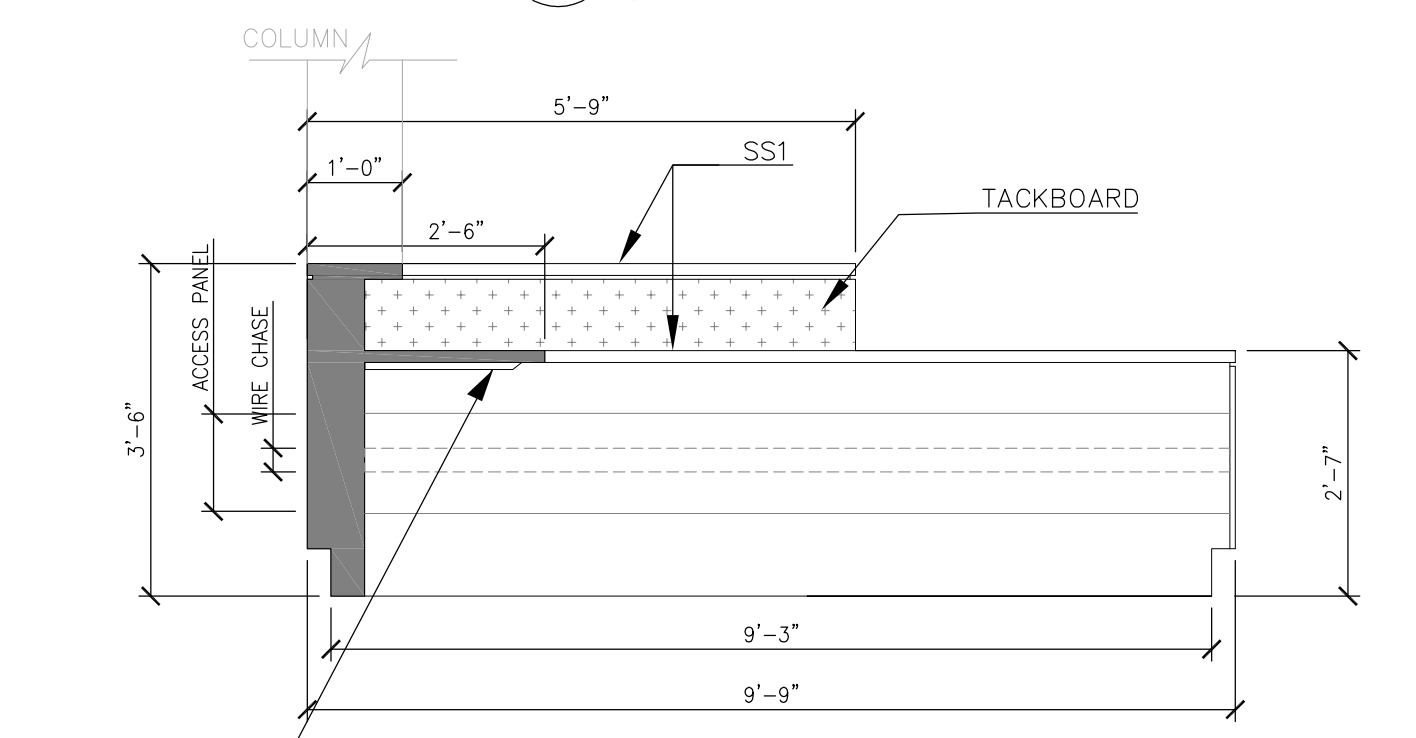
5 SIDE ELEVATION
1/2" = 1'-0"



6 INTERIOR SIDE ELEVATION
1/2" = 1'-0"



7 INTERIOR FRONT ELEVATION
1/2" = 1'-0"



8 INTERIOR SIDE ELEVATION
1/2" = 1'-0"