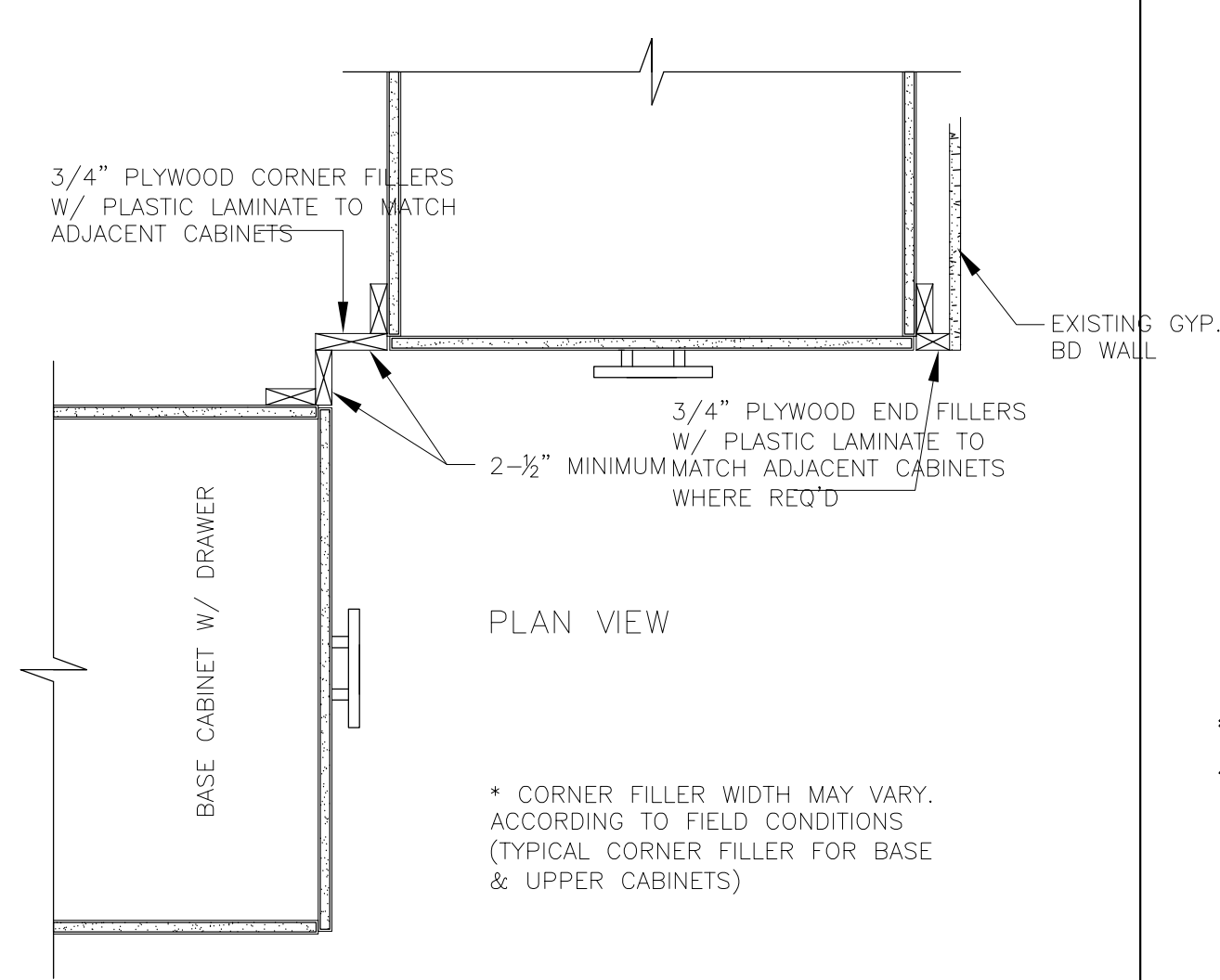
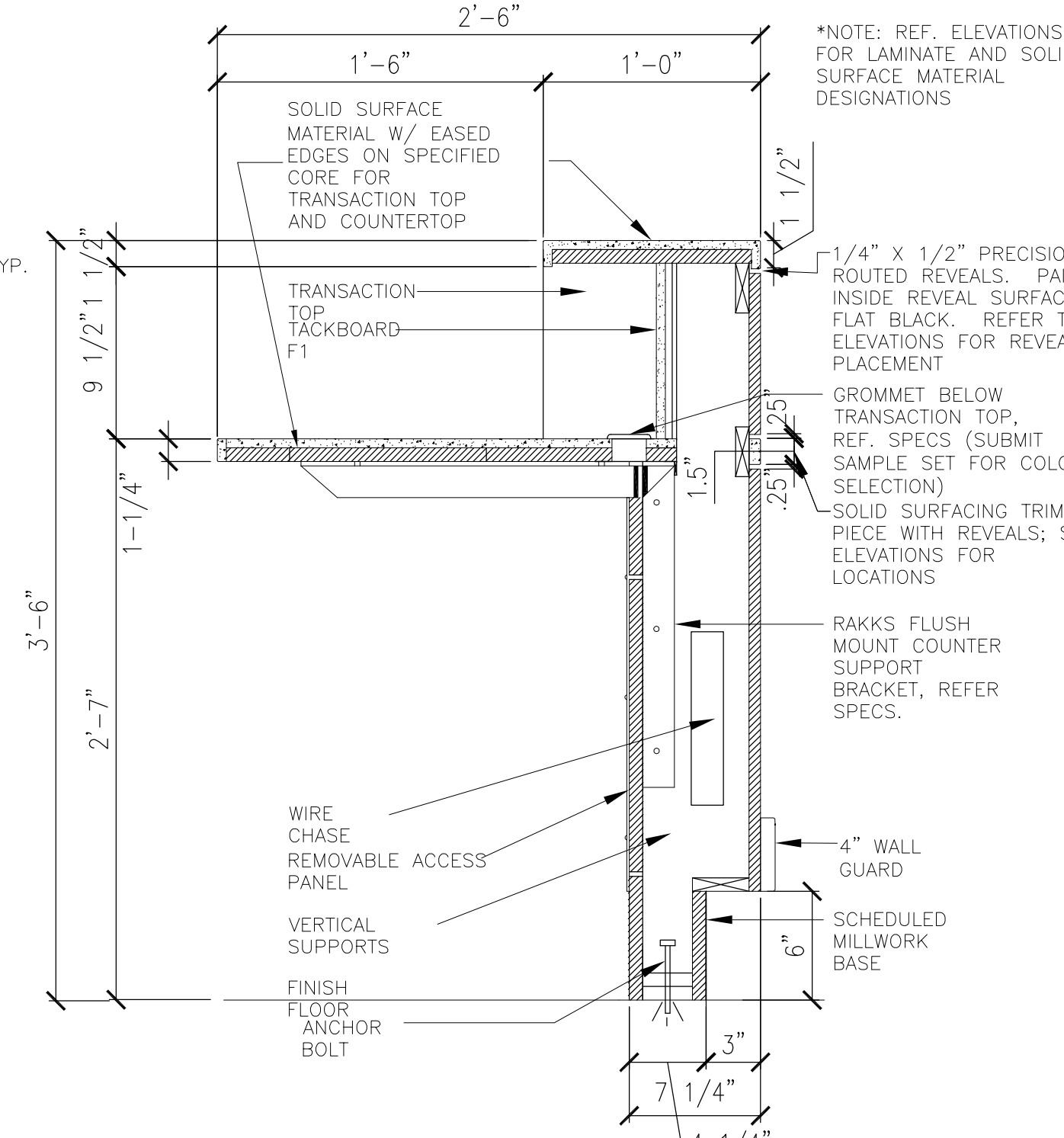


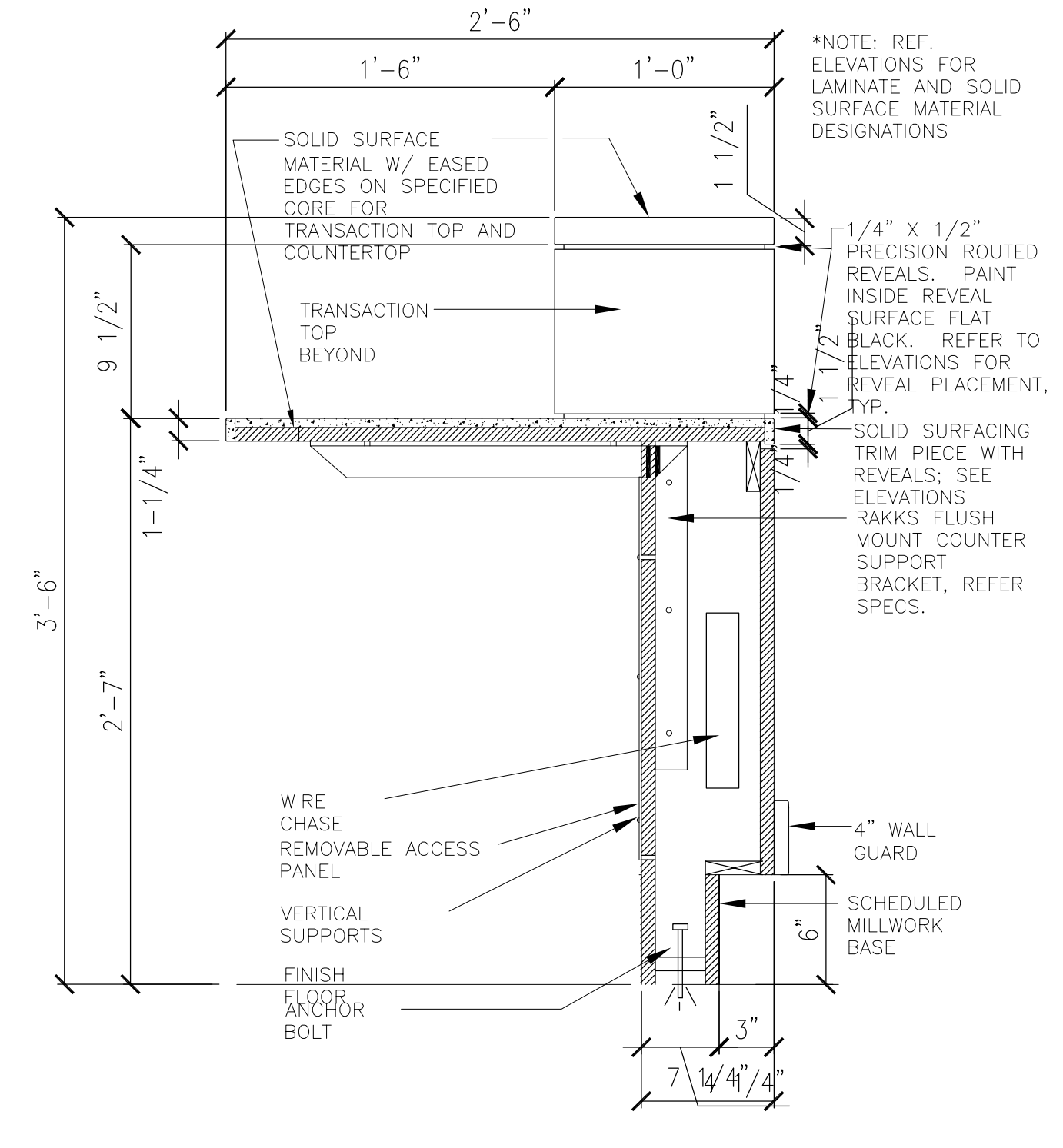
1 WALL CABINET - NO VALANCE
SCALE: 1-1/2" = 1'-0"



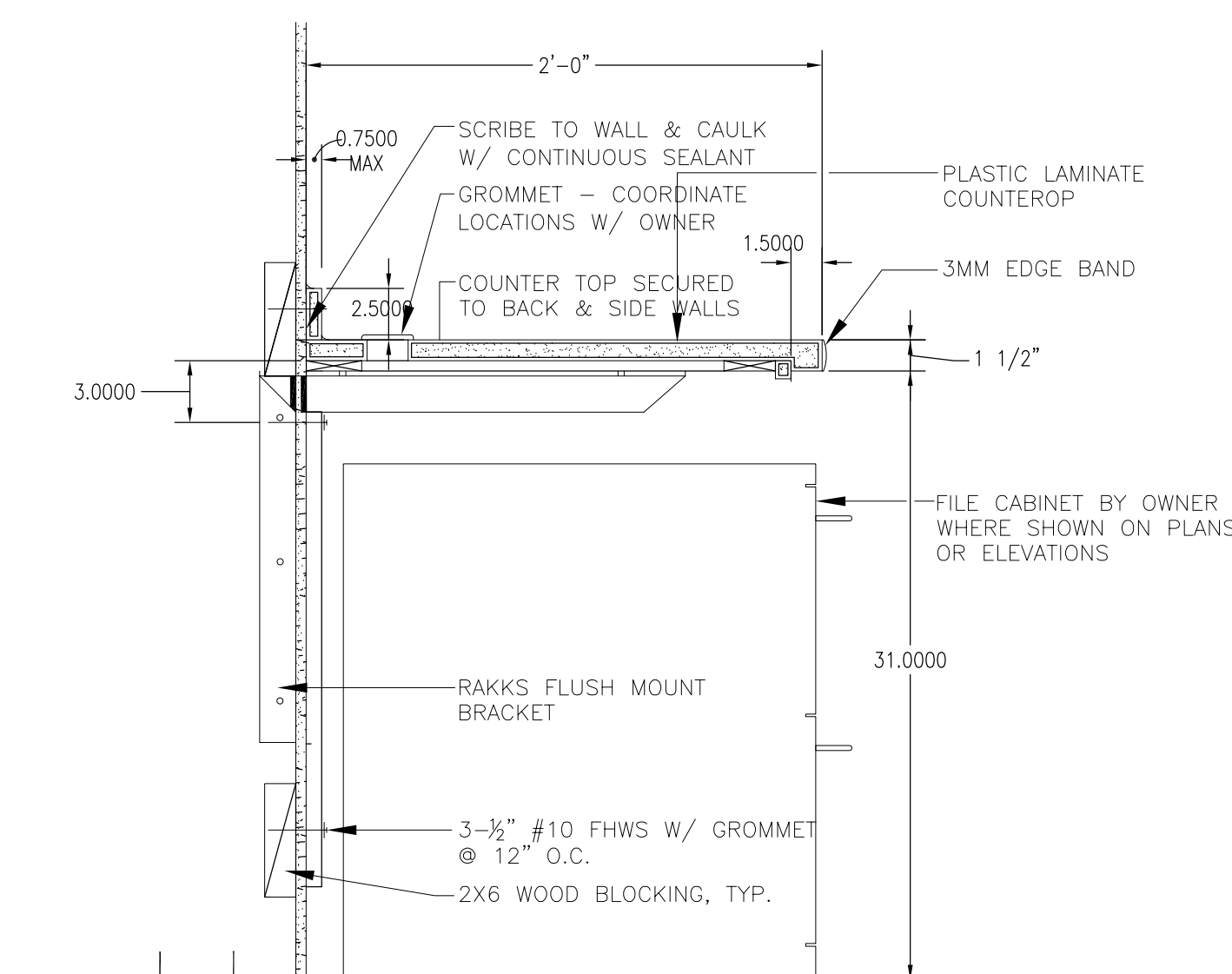
2 CORNER & END FILLERS
SCALE: 1-1/2" = 1'-0"



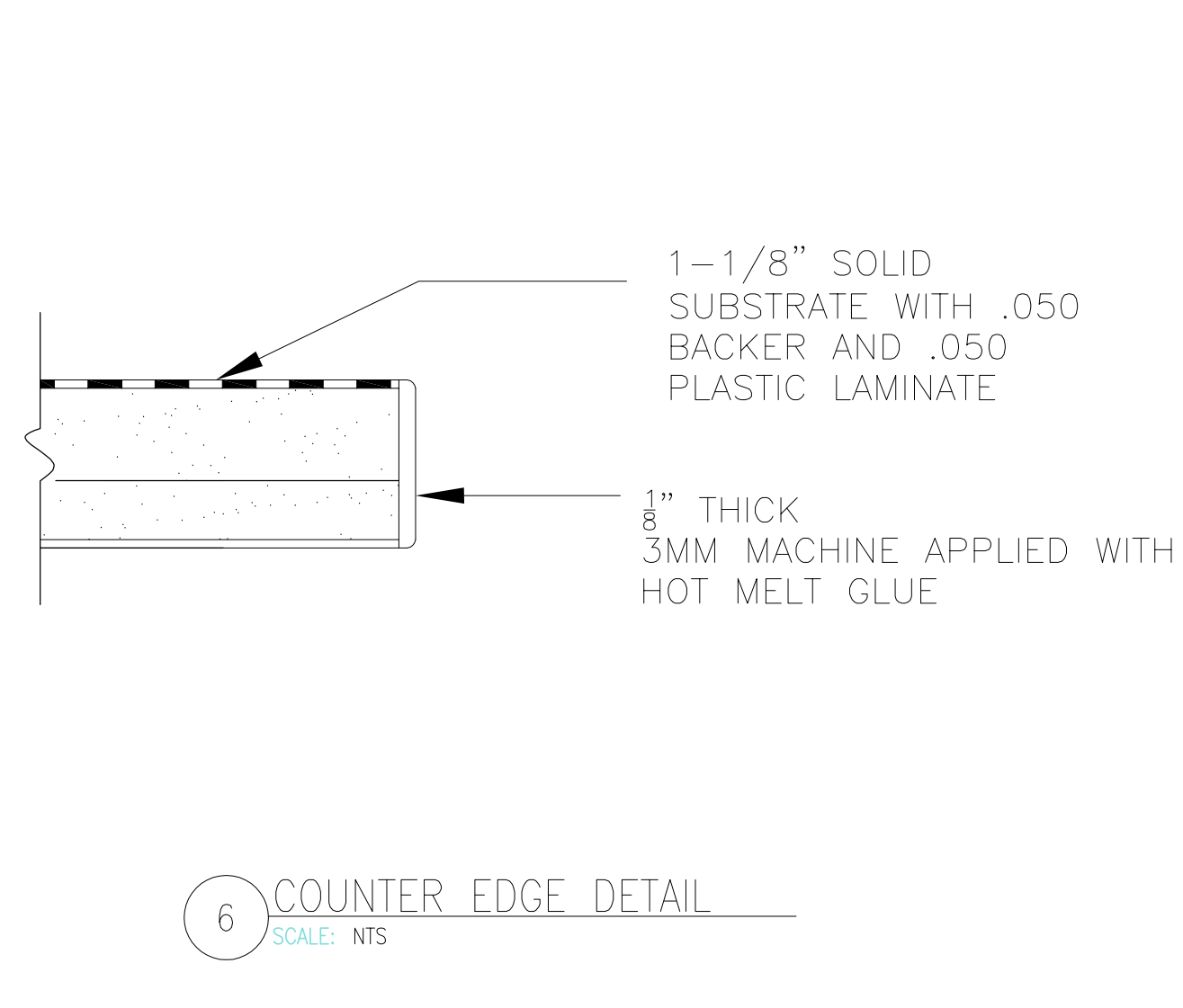
3 SECTION AT HIGH COUNTER AT NURSE STATION
SCALE: 1-1/2" = 1'-0"



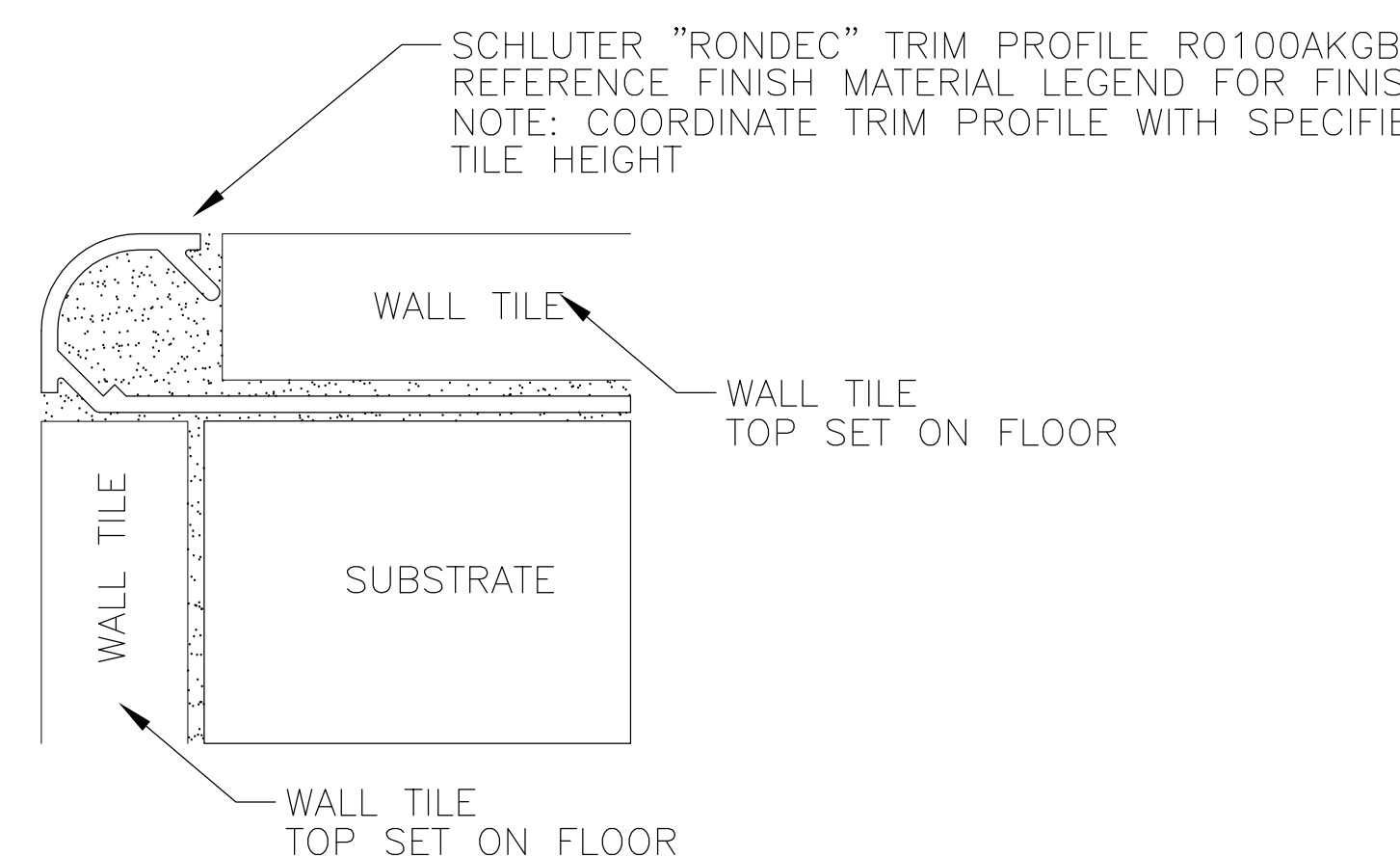
4 SECTION AT LOW COUNTER AT NURSE STATION
SCALE: 1-1/2" = 1'-0"



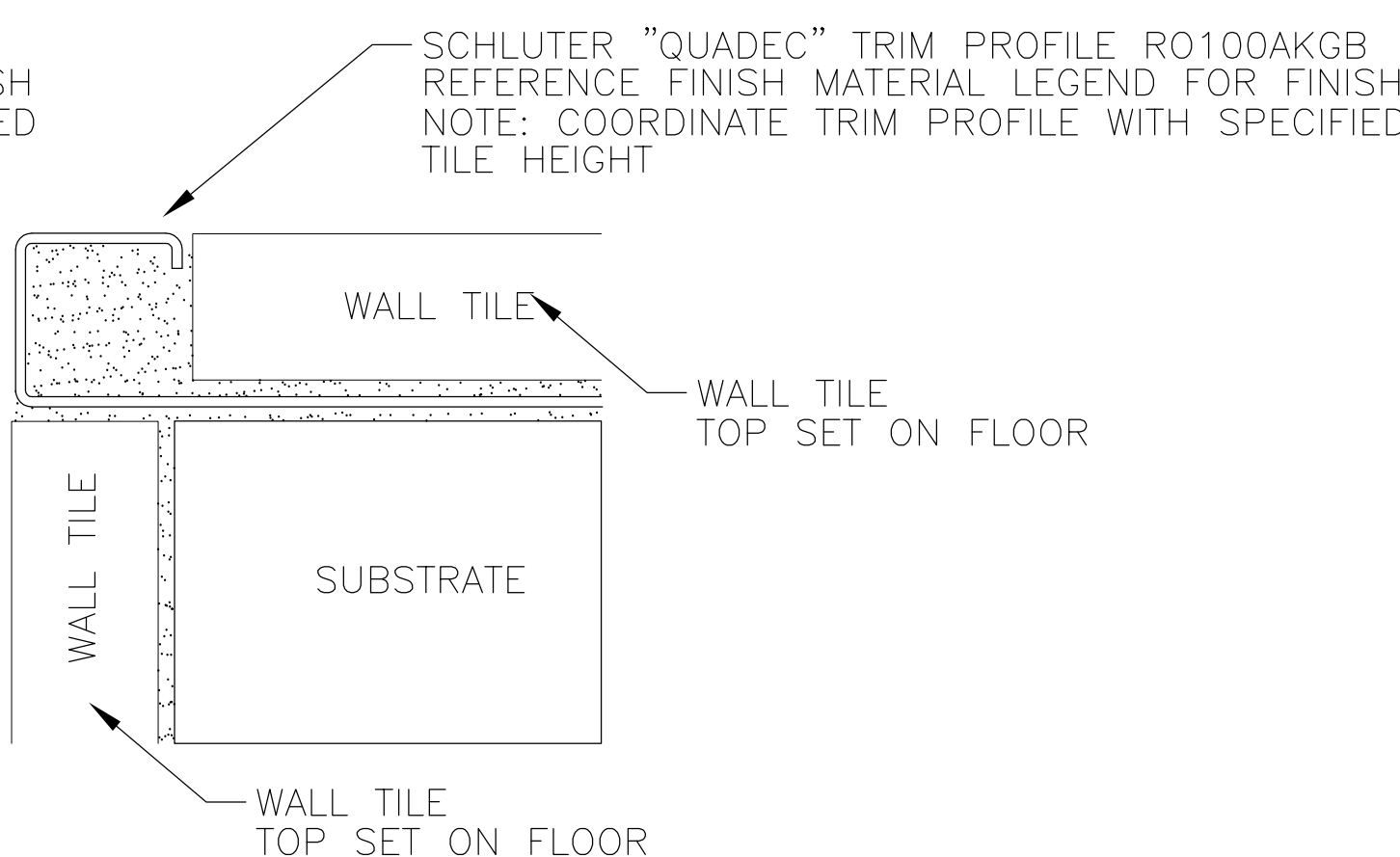
5 CHARTING COUNTERTOP
SCALE: 1-1/2" = 1'-0"



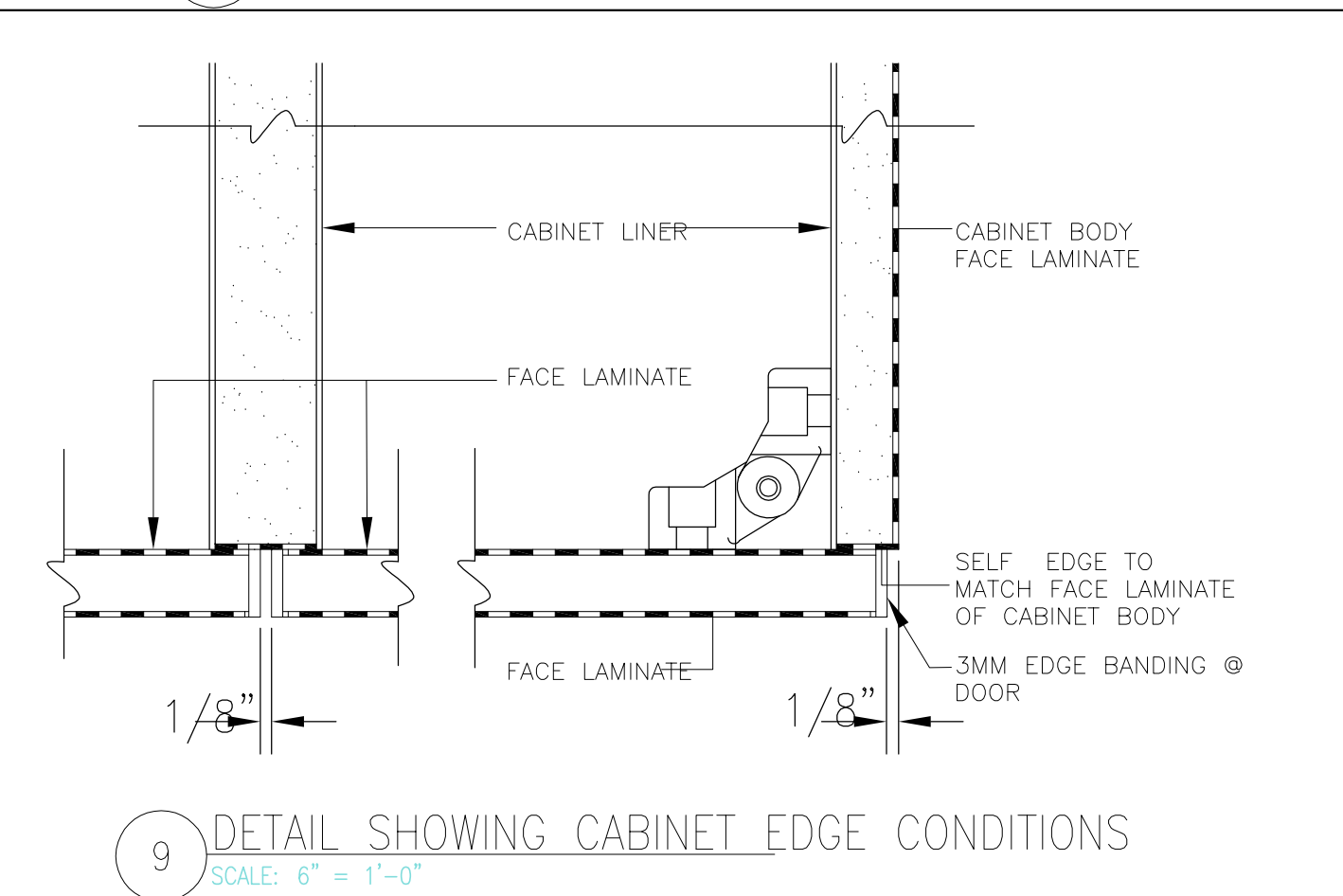
6 COUNTER EDGE DETAIL
SCALE: NTS



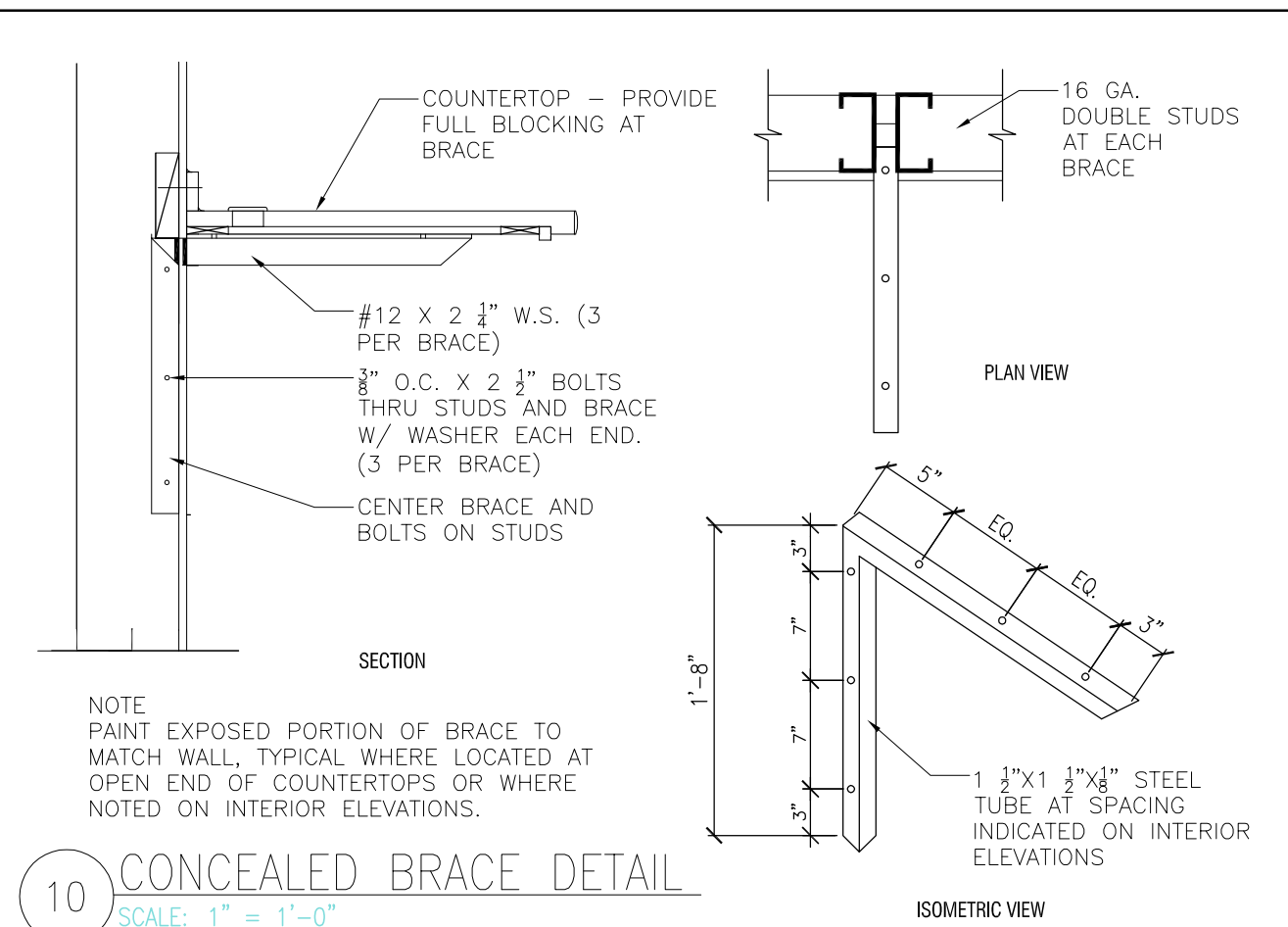
7 SCHLUTER RONDEC PORCELAIN TILE TRIM PIECE AT OUTSIDE CORNERS, TYP.
SCALE: 1'-0" = 1'-0"



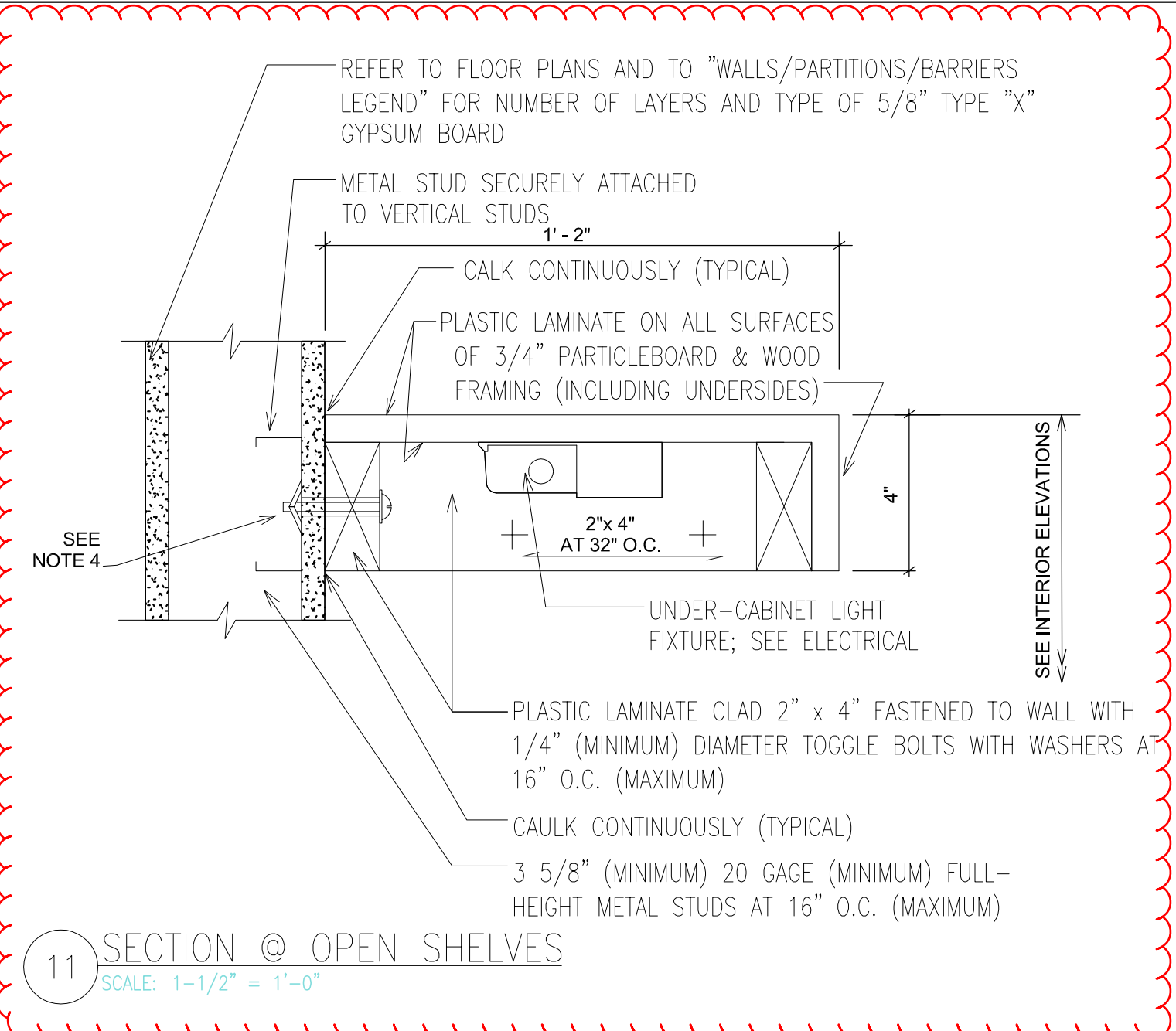
8 SCHLUTER QUADEC PORCELAIN TILE TRIM AT OUTSIDE CORNERS WHERE JOHNSONITE MILLWORK BASE BUTTS TO TRIM
SCALE: 1'-0" = 1'-0"



9 DETAIL SHOWING CABINET EDGE CONDITIONS
SCALE: 6" = 1'-0"



10 CONCEALED BRACE DETAIL
SCALE: 1" = 1'-0"



11 SECTION @ OPEN SHELVES
SCALE: 1-1/2" = 1'-0"

- NOTES:
1. SEE FLOOR PLANS FOR LENGTHS OF SHELVING. (DO NOT SCALE DRAWINGS.)
 2. PROVIDE METAL ANGLE SUPPORT BRACKETS AT SPANS OVER 3'-0". ALL SUPPORTS TO BE CONCEALED BEHIND FINISHED WALL.
 3. ALL PARTICLE BOARD & WOOD FRAMING (INCLUDING UNDERSIDES) SHALL BE CLAD WITH PLASTIC LAMINATE.
 4. SEAL ALL PENETRATIONS BELOW & BEHIND SHELVES (EVEN THOUGH HIDDEN) IN ORDER TO MAINTAIN THE INTEGRITY OF WALLS/PARTITIONS/BARRIERS.

NOTE: FOR BASE CABINETS, COORDINATE COUNTERTOP HEIGHT WITH ELEVATIONS. IF A SINK IS PROVIDED IN THAT ELEVATION, THE OVERALL HEIGHT SHALL BE 34" MAX. TO THE SINK RIM. ADJACENT CABINETS WILL NEED TO BE SIZED ACCORDINGLY TO ALLOW FOR CONTINUOUS, LEVEL COUNTERTOP HEIGHT.