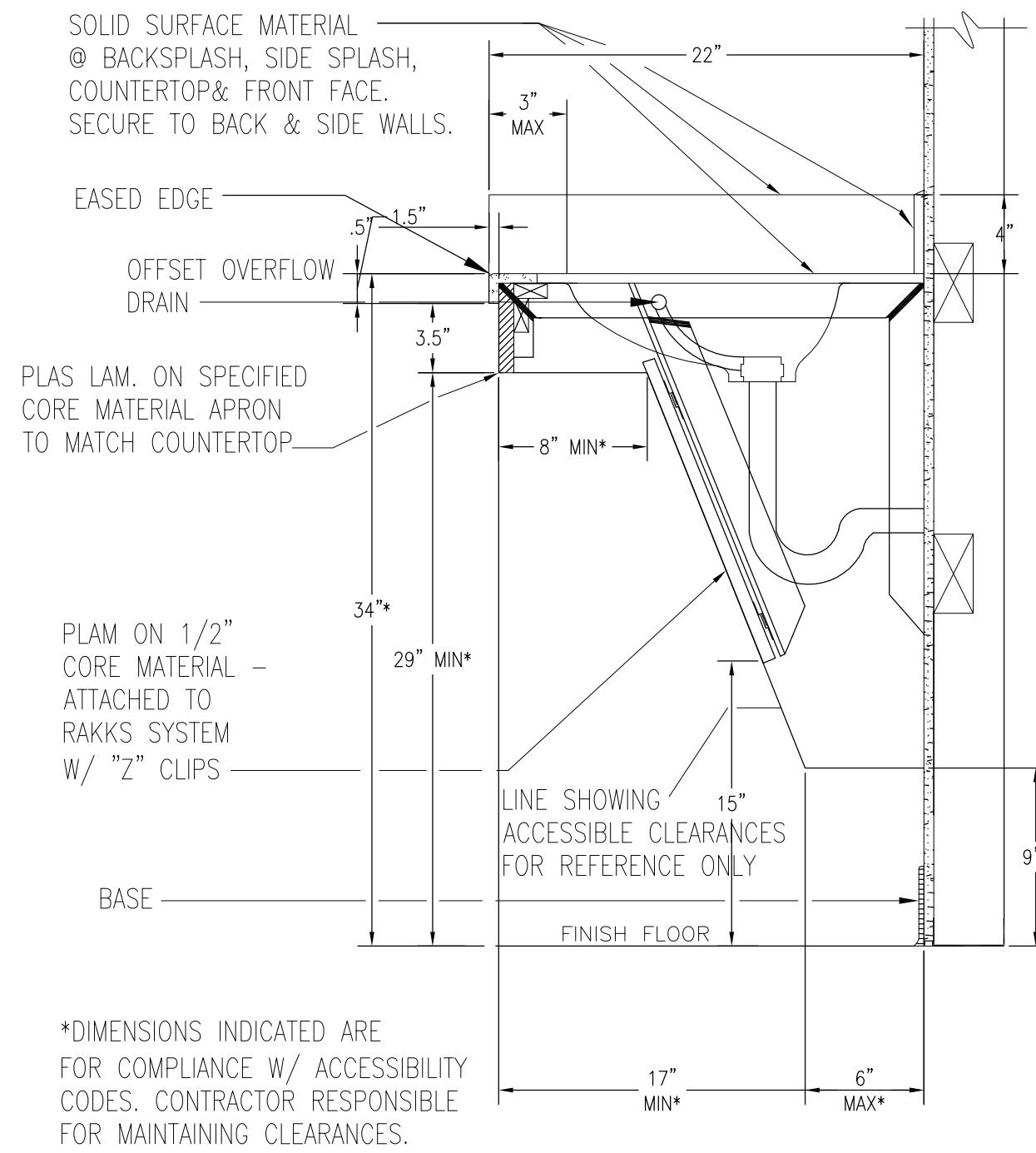
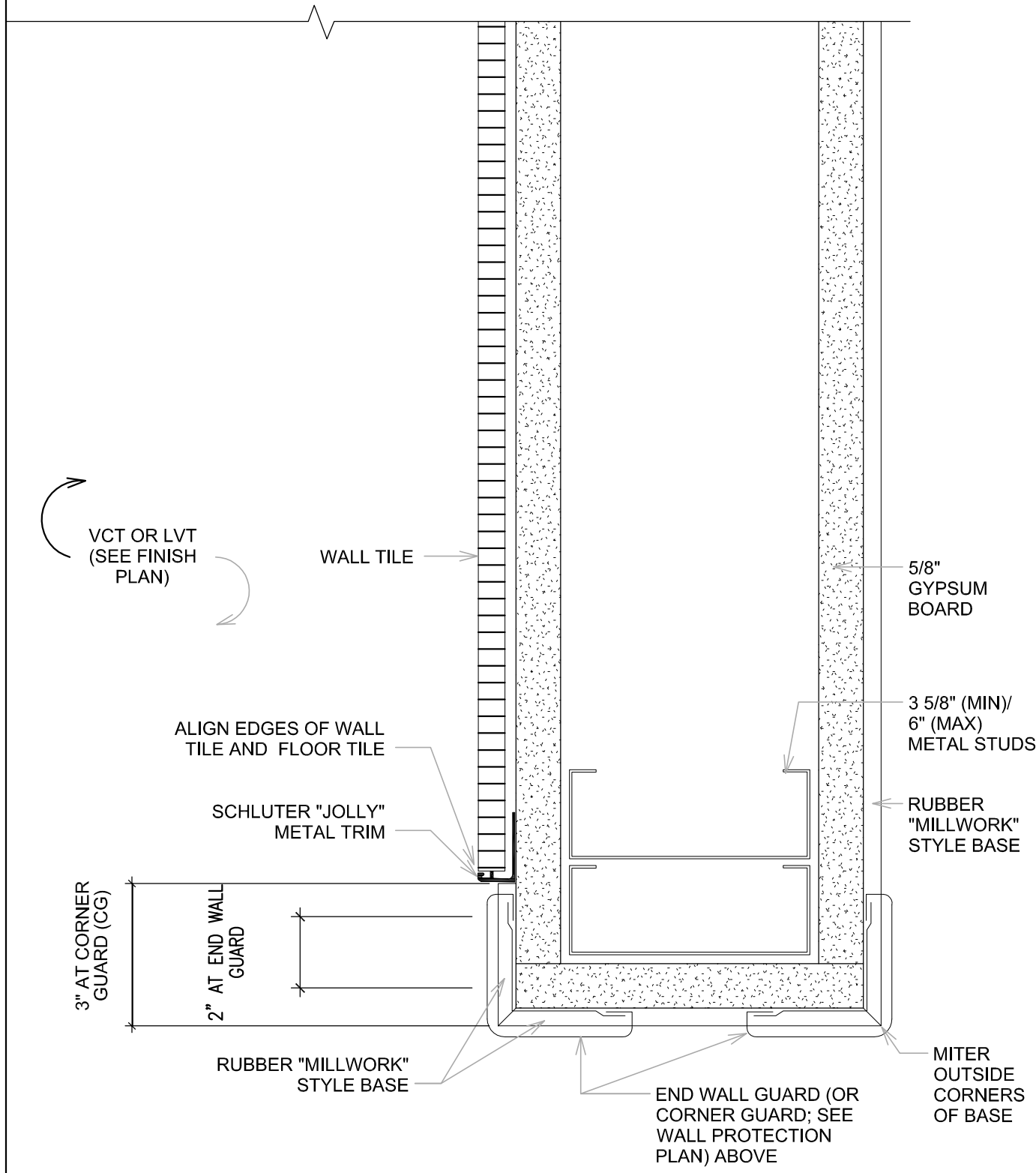


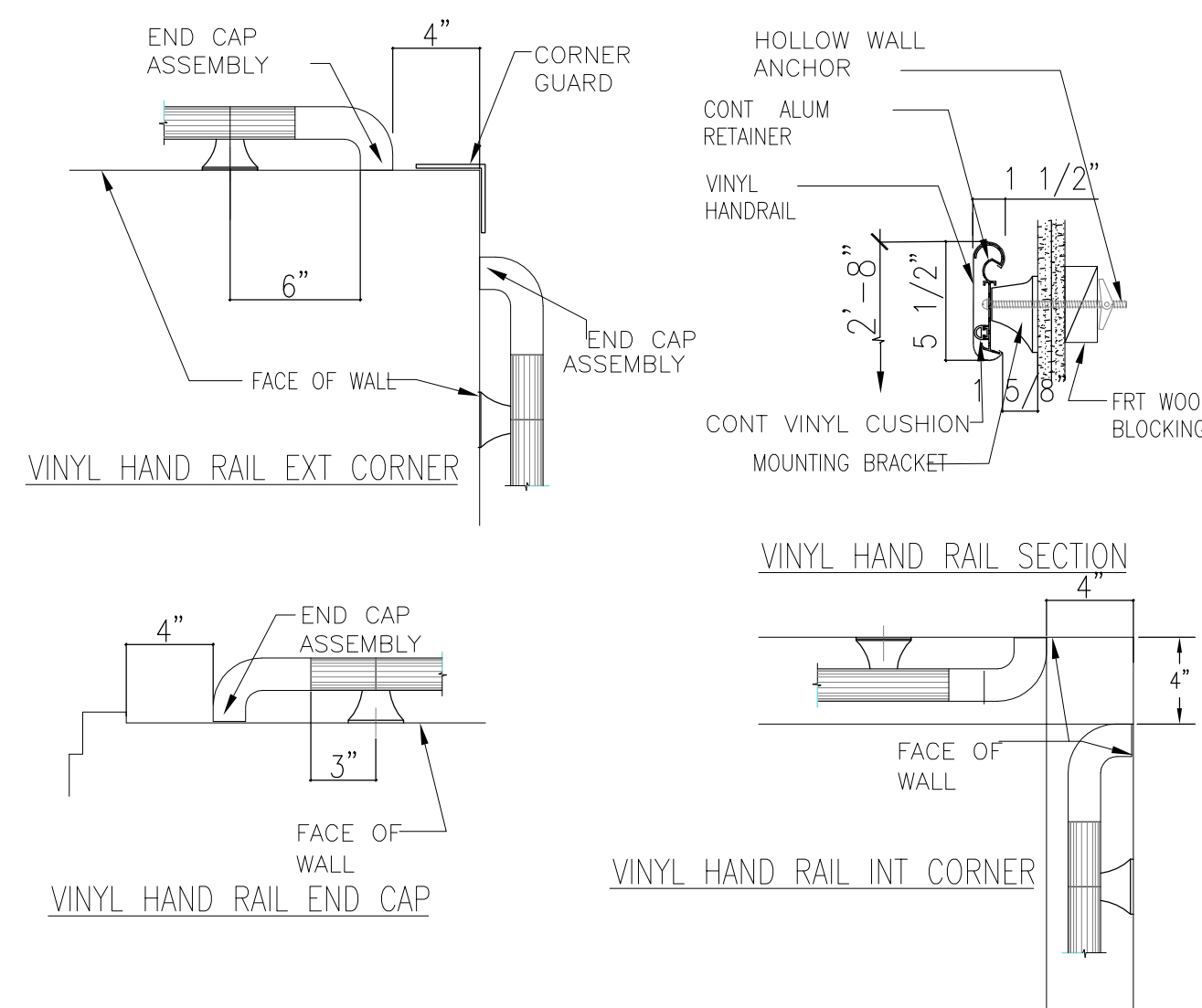
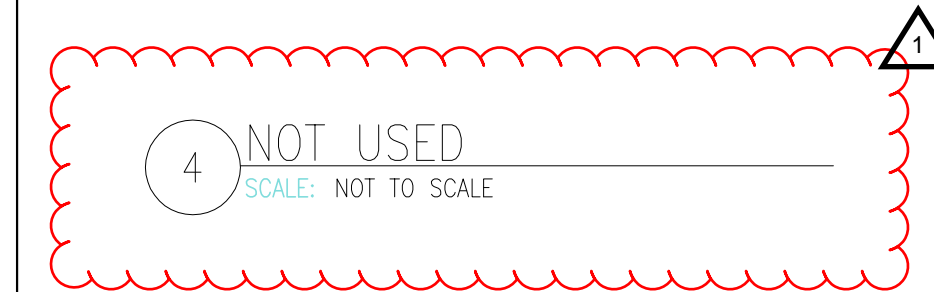
1 NURSES'S HANDWASH STATION
SCALE: 1-1/2" = 1'-0"



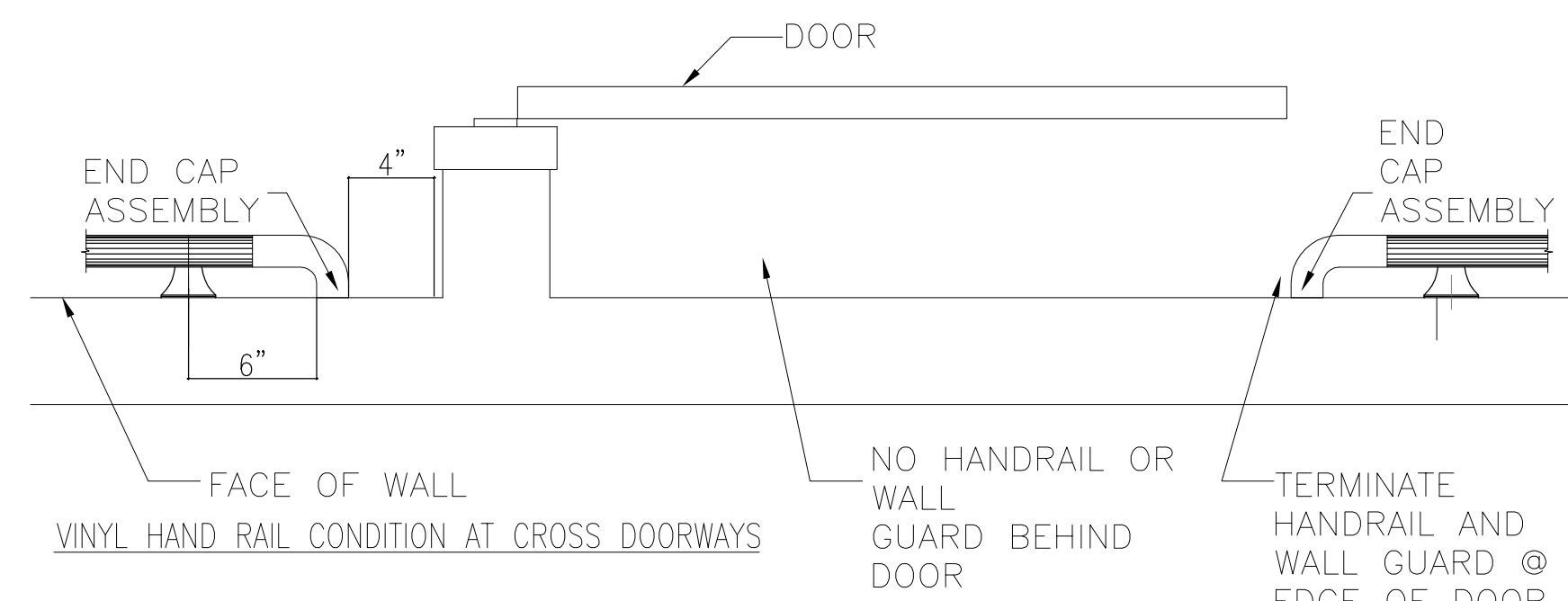
2 VANITY WITH SET-BACK APRON AND MODESTY PANEL
SCALE: 1-1/2" = 1'-0"



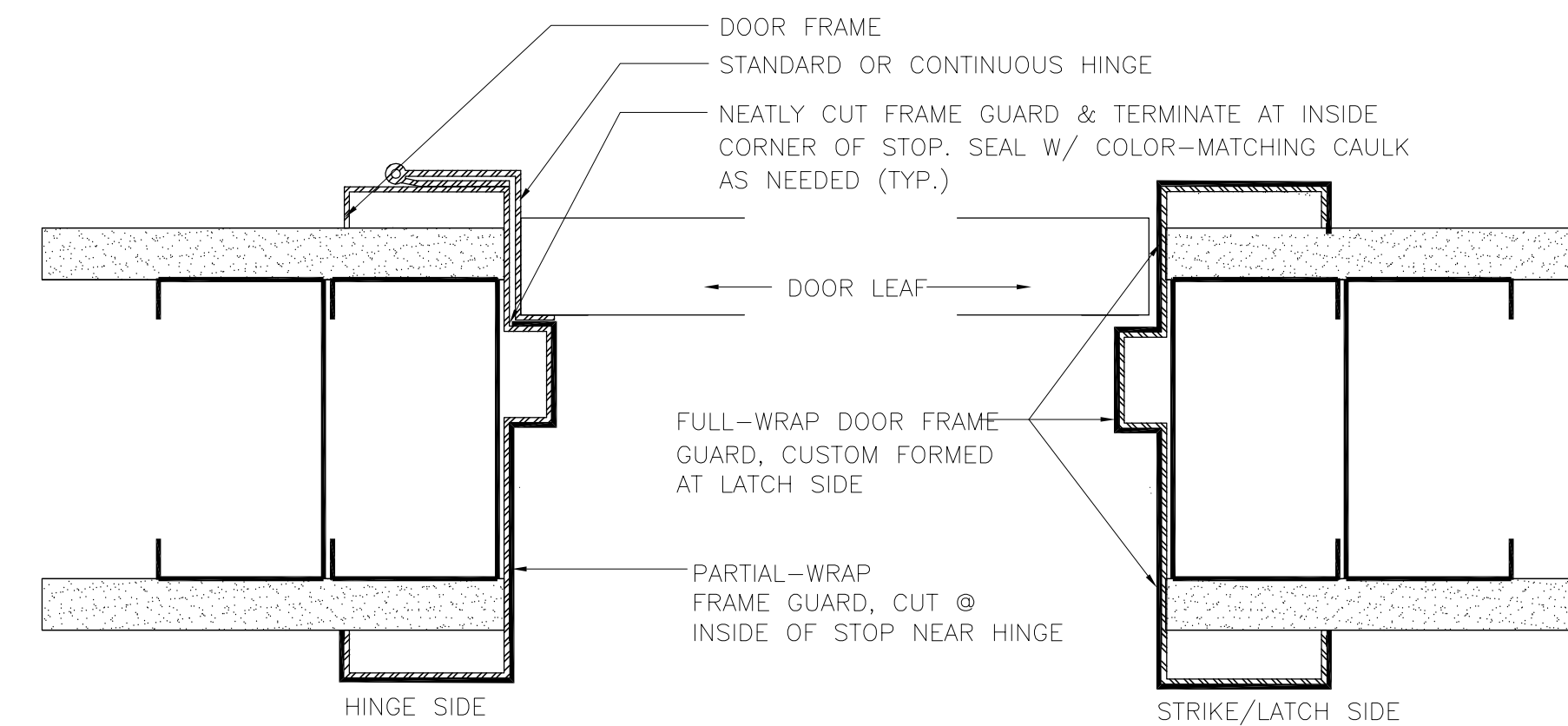
3 PLAN DETAIL AT TILE TO RUBBER BASE TRANSITION
SCALE: NOT TO SCALE



5 WALL PROTECTION PLACEMENT AT DOORWAYS
SCALE: 1-1/2" = 1'-0"



6 VINYL HANDRAIL CONDITION AT CROSS DOORWAYS
SCALE: 1-1/2" = 1'-0"



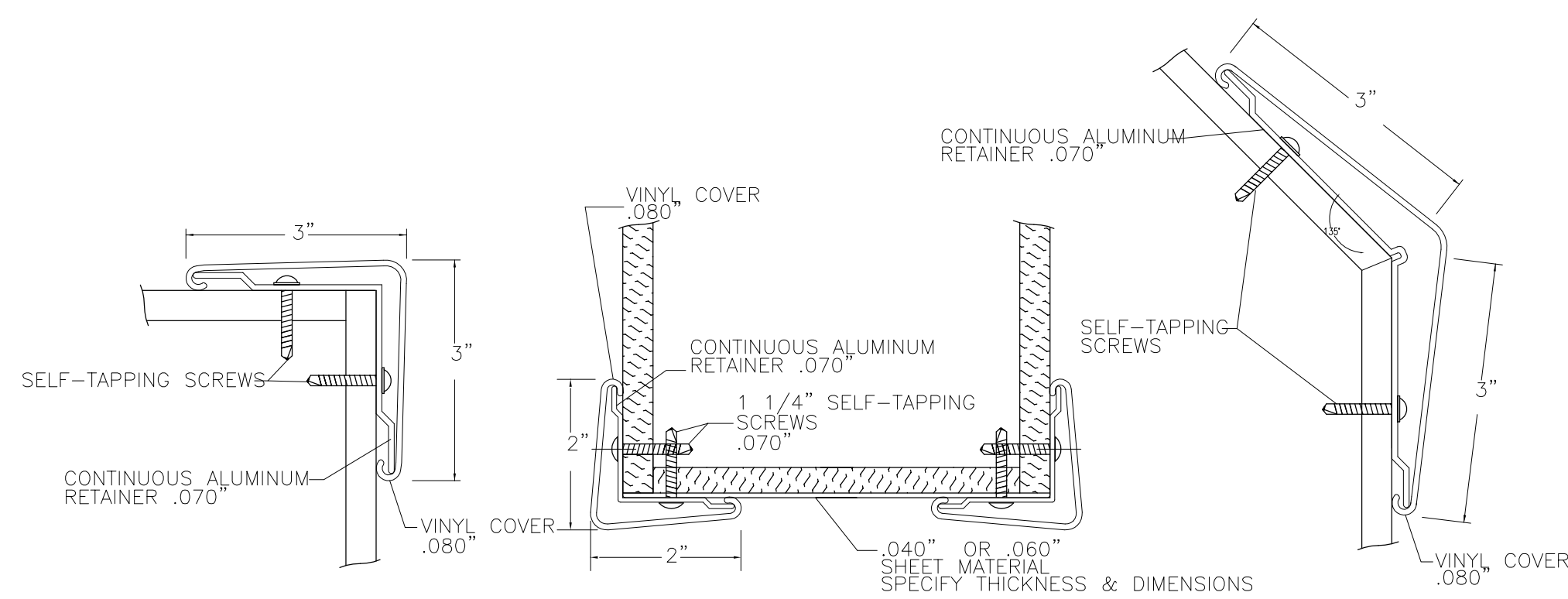
DOOR FRAME GUARD DETAIL

DOOR GUARD GENERAL NOTES

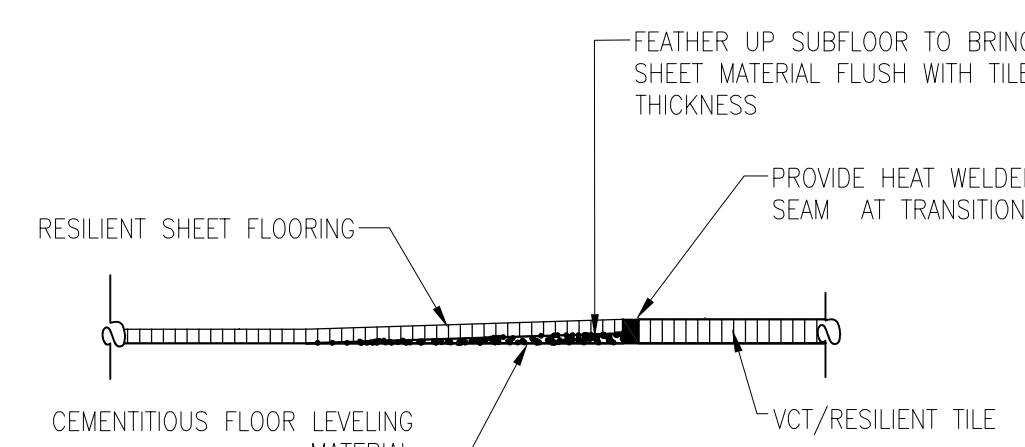
PRIOR TO ORDERING ALL FRAME GUARDS, CONTRACTOR SHALL ORDER "TEST" FRAME GUARDS FOR INSTALLATION. TEST INSTALLATION SHALL BE EVALUATED FOR PROPER FIT AND PROPER DOOR OPERATION. IF DOOR BINDING OCCURS, CONSULT WITH THE INTERIOR DESIGNER & OWNER PRIOR TO PROCEEDING WITH ORDER FOR ANY ADDITIONAL FRAME GUARDS. COST FOR DOOR FRAME GUARDS NOT ORDERED SHALL BE CREDITED BACK TO THE OWNER.

DOOR FRAME GUARDS SHALL EXTEND TO FLOOR MATERIAL & BE TRIMMED AS REQUIRED TO FOLLOW ANY FLOOR CONTOURS. DOOR FRAME GUARDS TO EXTEND FRAME FLOOR TO LATCH & SHALL ALIGN AT TOP WITH OTHERS IN CORRIDOR.

9 DOOR FRAME GUARD DETAILS
SCALE: 6" = 1'-0"



7 CORNER GUARD DETAILS
SCALE: 3" = 1'-0"



8 RESILIENT SHEET TO VCT
SCALE: 1'-0" = 1'-0"