

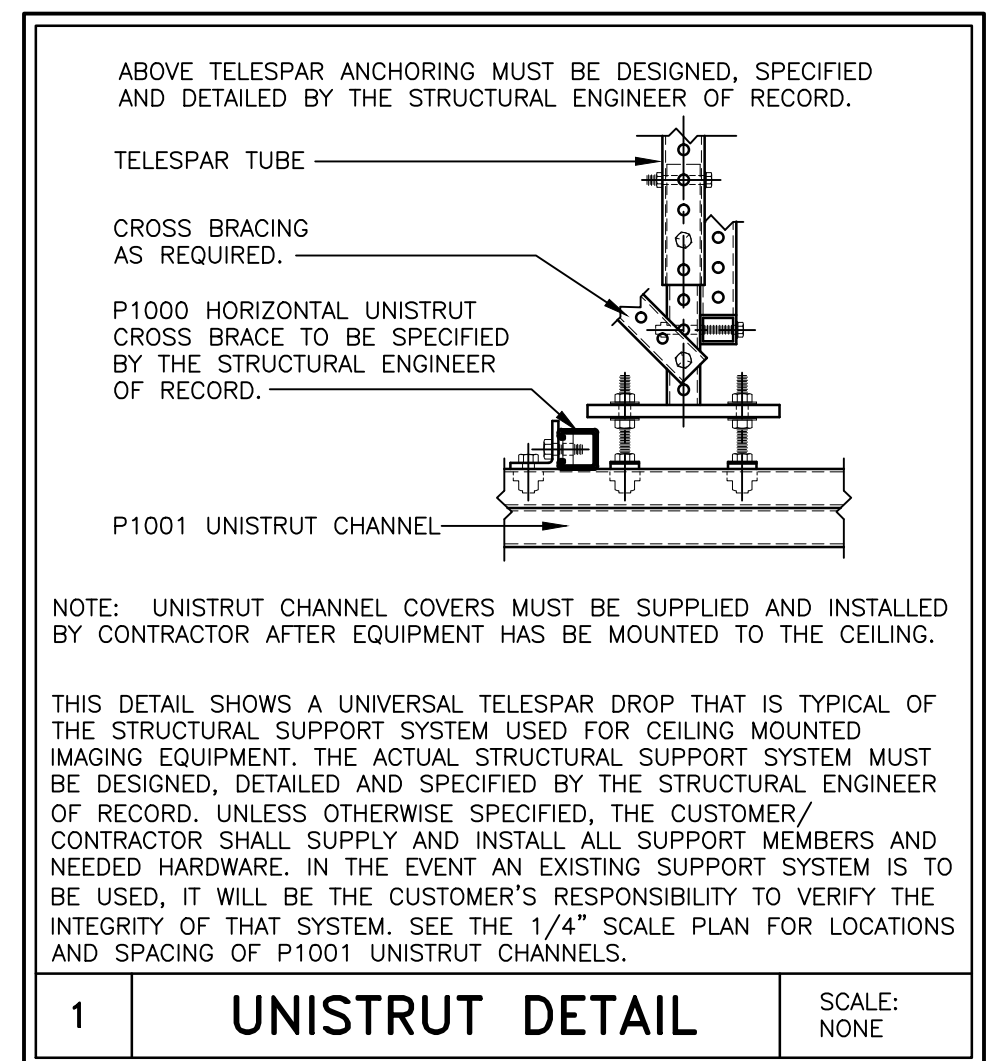
STRUCTURAL CEILING PLAN

SCALE: 1/4" = 1'-0"

CEILING PLAN LEGEND		
SUPPLIED/INSTALLED BY SIEMENS		
SYM	DESCRIPTION	DET
A	LONGITUDINAL RAILS ATTACHED TO "P-1001" UNISTRUT	2
B	TRANSVERSE BRIDGE MOVES ALONG LONGITUDINAL RAILS	-
C	TELESCOPE MOVES ALONG TRANSVERSE BRIDGE	-
D	MONITOR RAILS ATTACHED TO "P-1001" UNISTRUT	3
E	MONITOR CARRIAGE MOVES ALONG LONGITUDINAL RAILS	-
Z	LONGITUDINAL RAIL SUPPORT MOUNTING POINT BOLTED TO UNISTRUT FRAME	2,3

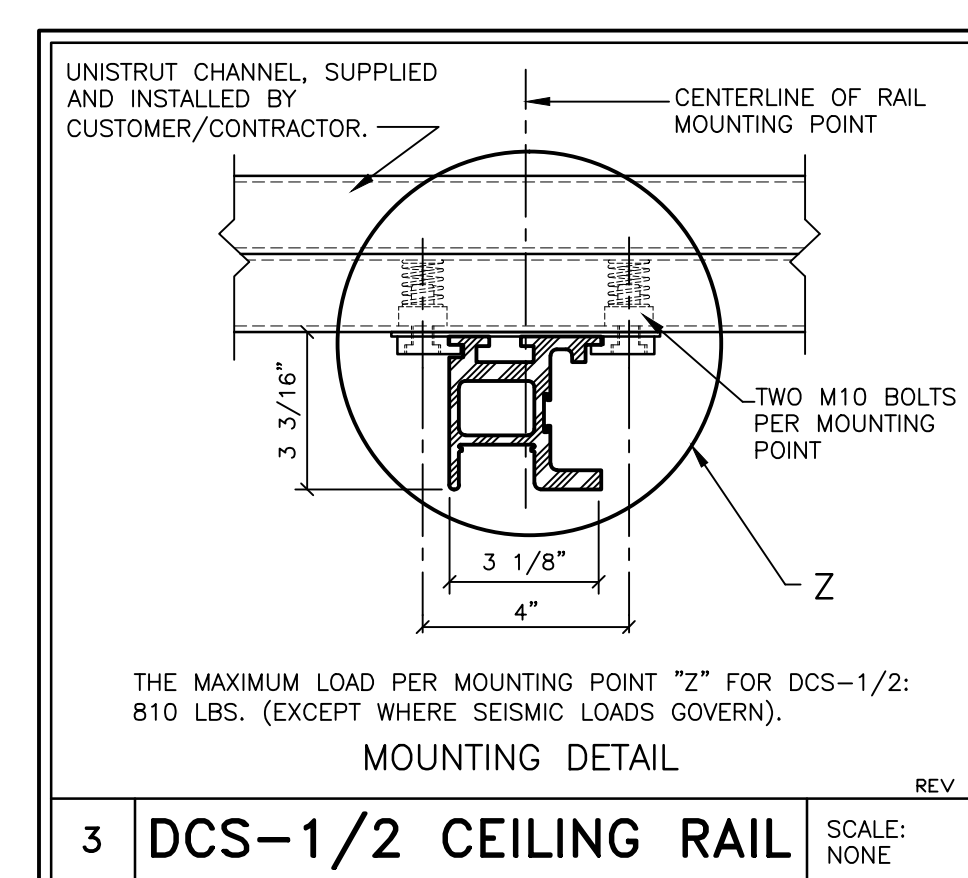
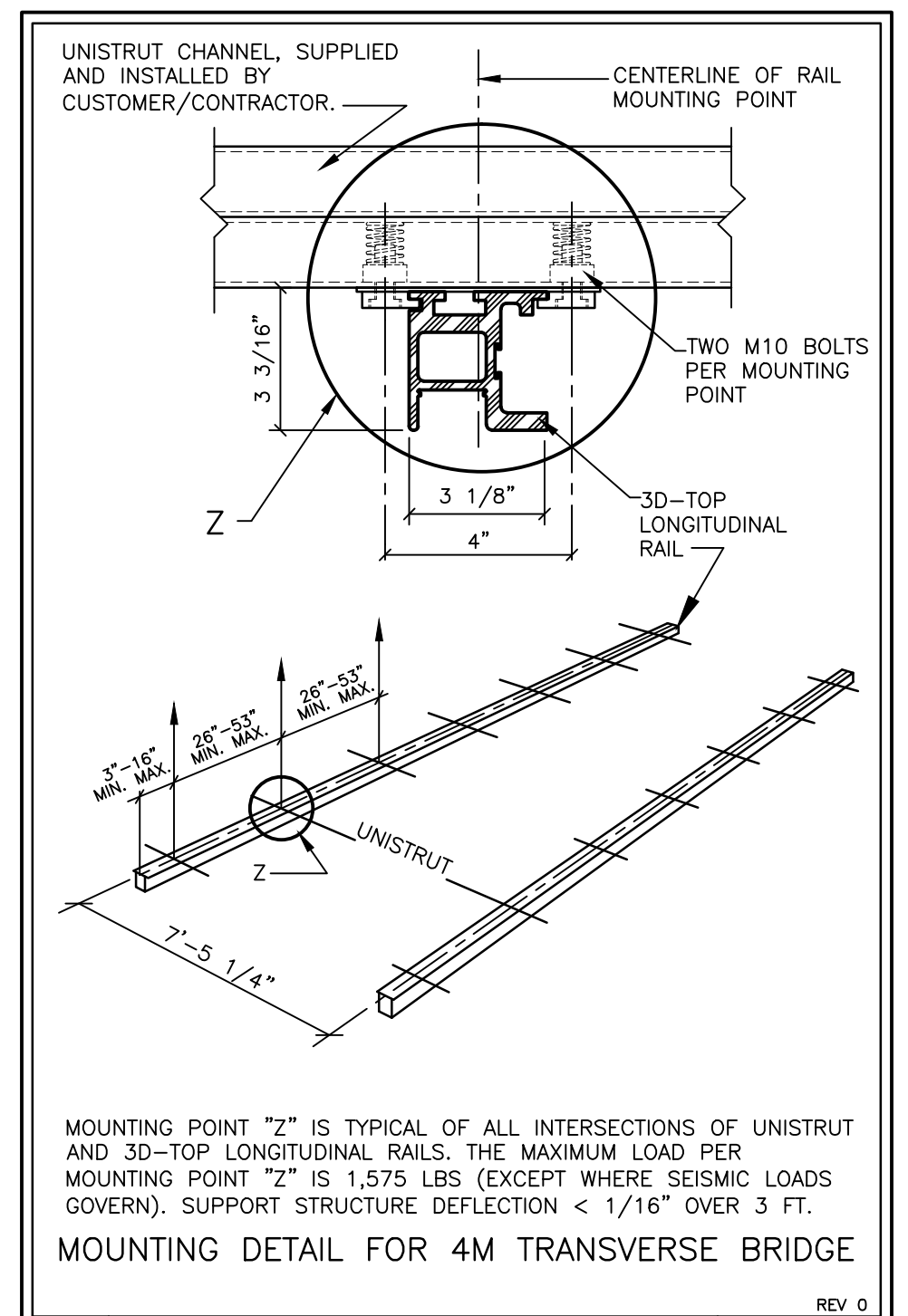
SUPPLIED/INSTALLED BY CUSTOMER/CONTRACTOR		
SYM	DESCRIPTION	DET
X	"P-1001" UNISTRUT MOUNTED FLUSH WITH FINISHED CEILING. MUST BE LEVEL WITHIN ±1/8".	1

NOTE:
ALL STRUCTURAL SUPPORT DETAILS SHOWN ARE SAMPLE DETAILS BASED UPON TYPICAL AND STANDARD BUILDING PRACTICES AND ARE NOT INTENDED AS ACTUAL CONSTRUCTION DETAILS. ALL CONSTRUCTION DETAILS AND SUPPORT CALCULATIONS SHALL BE PREPARED BY A PROFESSIONAL STRUCTURAL ENGINEER AT THE CUSTOMER'S EXPENSE. IN THE EVENT AN EXISTING SUPPORT SYSTEM IS TO BE USED, IT WILL BE THE CUSTOMER'S RESPONSIBILITY TO VERIFY THE INTEGRITY OF THAT SYSTEM.



ROOM HEIGHT REQUIREMENTS	
ROOM HEIGHT WITHOUT CEILING STAND	
MINIMUM ROOM HEIGHT	RESTRICTION WITH +/-90° ROTATION
8'-2 1/2" TO LESS THAN 10'-4"	- MAXIMUM TABLETOP EXTENSION OF 11 1/2" WITH A ROOM HEIGHT OF 8'-2 1/2" - DIGITAL IMAGING TOWER CANNOT BE IN THE EXTREME HEAD-END POSITION WITH A ROOM HEIGHT OF 8'-2 1/2" - RESTRICTIONS IN THE MOVEMENT RANGE WITH AUTOMATIC CORRECTION OF MOVEMENT.
10'-4" OR GREATER	NO RESTRICTIONS
ROOM HEIGHT WITH CEILING STAND	
	USABLE TABLE HEIGHT AT 45° SID (3)
MINIMUM ROOM HEIGHT	8'-9 1/8" 2'-6"
MINIMUM ROOM HEIGHT FOR 60° SID TO TABLE (3)	9'-7" (1) 3'-4"
MAXIMUM ROOM HEIGHT WITHOUT THE TUBE STAND TELESCOPE EXTENSION	9'-5 5/8" (1) 3'-2"
	9'-10 7/8" (2) 3'-7 3/8"
MAXIMUM ROOM HEIGHT WITH THE TUBE STAND TELESCOPE EXTENSION	10'-1 1/2" (1) 3'-2"
	10'-7" (2) 3'-7 3/8"

1) UPRIGHT (0°) EXPOSURES ARE POSSIBLE AT LOWEST POSITION OF WALL STAND.
2) UPRIGHT (0°) EXPOSURES ARE NOT POSSIBLE AT LOWEST POSITION OF WALL STAND.
3) WITH SECOND PLANE OF CEILING STAND.



MINIMUM CEILING HEIGHT W/RESTRICTION	CEILING HEIGHT WITHOUT RESTRICTION	RECOMMENDED CEILING HEIGHT
SEE RM HT REQMTS	SEE RM HT REQMTS	9'-6"

PROJECT MANAGER: RICH DEISTER TEL: (207) 712-3205 EXT: FAX: (207) 929-3776 EMAIL: RICH.DEISTER@SIEMENS.COM		SIEMENS	
BRIGHTON MEDICAL CENTER			
335 BRIGHTON AVE., PORTLAND, ME 04102 FLUORO ROOM - LUMINOS AGILE MAX			
PROJECT #: 1601355		SHEET: S-102	
THE USE OR REPRODUCTION OF THIS TITLE BLOCK WITHOUT SIEMENS AUTHORIZATION WILL RESULT IN PROSECUTION UNDER FULL EXTENT OF THE LAW.		DRAWN BY: D. CAPSTICK	
ALL RIGHTS ARE RESERVED.		DATE: 10/21/16	
SCALE: AS NOTED		REF: 1-#FFKJW.7	

ATTENTION:

- THIS DRAWING IS DESIGNED TO CONFORM TO FEATURES AND EQUIPMENT REQUIREMENTS PRESENTED AT THE TIME OF THEIR PREPARATION. SINCE BOTH THESE FACTORS ARE SUBJECT TO DESIGN MODIFICATION, THEY ARE NOT TO BE USED FOR CONSTRUCTION PURPOSES.
- THIS SET OF PLANS REPRESENTS A COMPLETE SET OF DETAILS AND SHOULD NOT BE SEPARATED.

- IT IS RECOMMENDED THAT THE SIEMENS DRAWINGS BE INCORPORATED WITH THE CONSTRUCTION DOCUMENTS FOR REFERENCE.

- ALL DIMENSIONS SHOWN ON THIS DRAWING ARE FROM FINISHED SURFACES.
- THIS DRAWING DOES NOT PROVIDE RADIATION SHIELDING REQUIREMENTS FOR X-RAY AND ASSOCIATED EQUIPMENT. THE CUSTOMER IS RESPONSIBLE FOR CONSULTING WITH A REGISTERED RADIATION PHYSICIST TO SPECIFY RADIATION PROTECTION.

SYM	DATE	DESCRIPTION
△	10/21/16	R-101 VERSION A DATED 04/07/16 APPROVED BY CUSTOMER FOR FINALS.
-ISSUE BLOCK-		

LUMINOS AGILE
REV 10