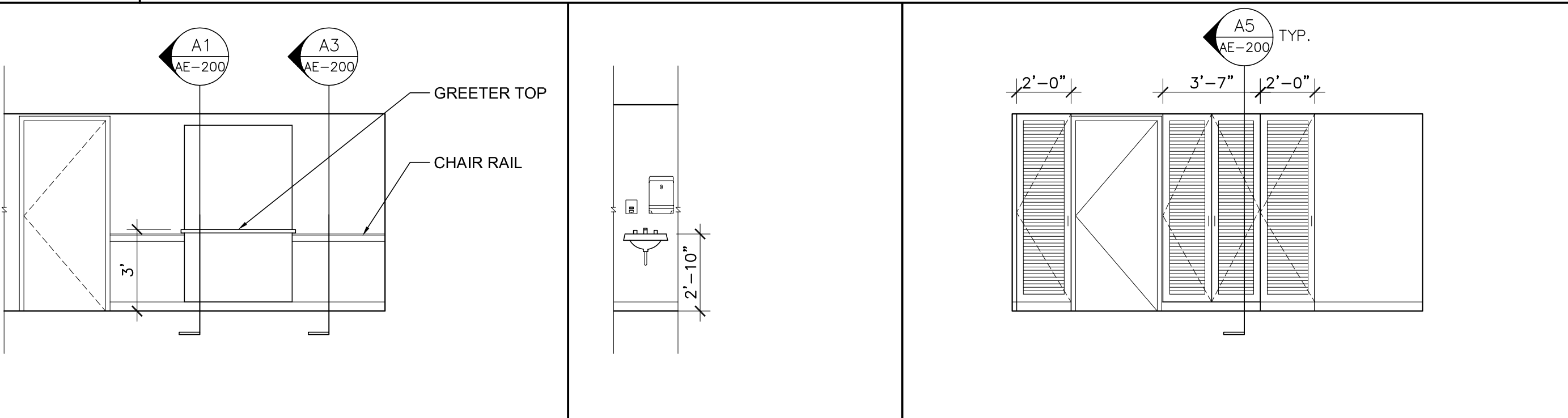


L1 ADA MOUNTING HEIGHTS

1/4" = 1'-0"



H1 CHECK IN/GREETER 064

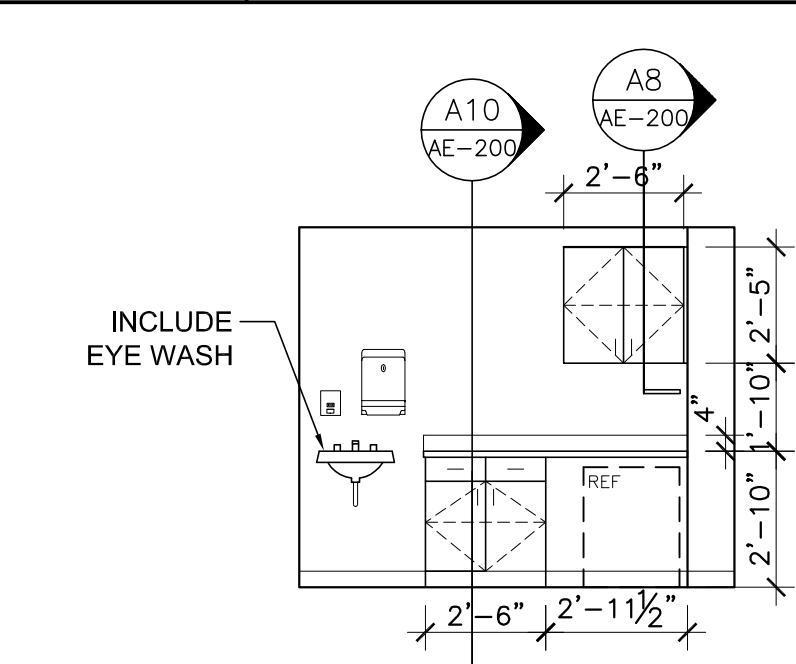
H3 TYP. SINK

H5 CORRIDOR 052

1/4" = 1'-0"

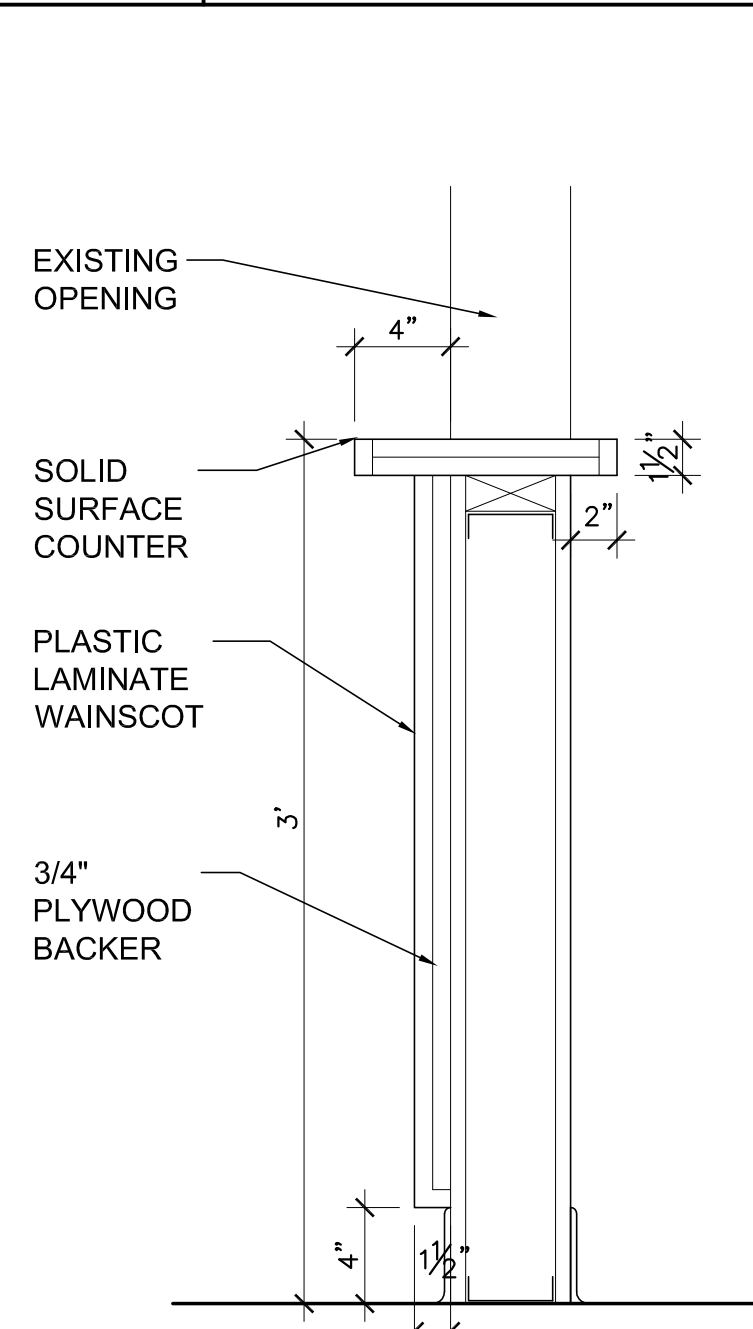
1/4" = 1'-0"

1/4" = 1'-0"



E1 PHLEBOTOMY 194

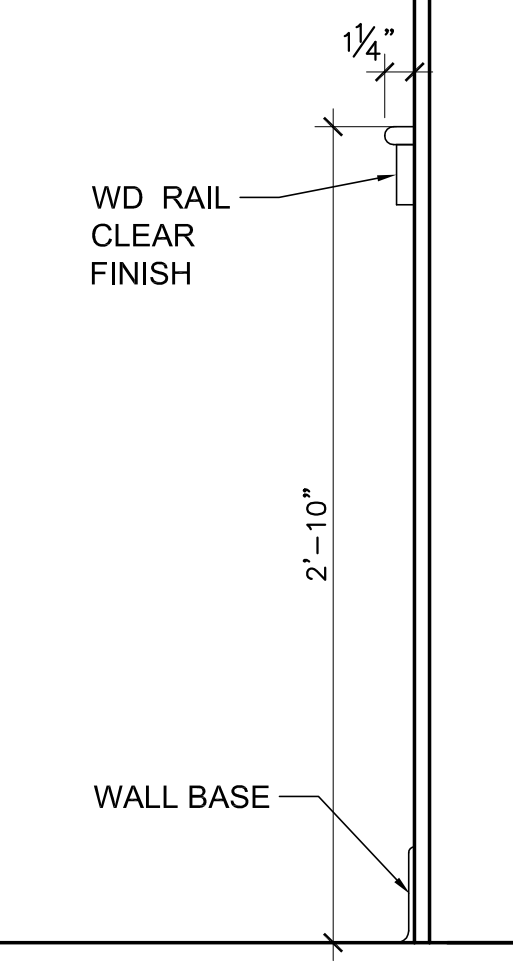
--



A1 TRNASACTION COUNTER

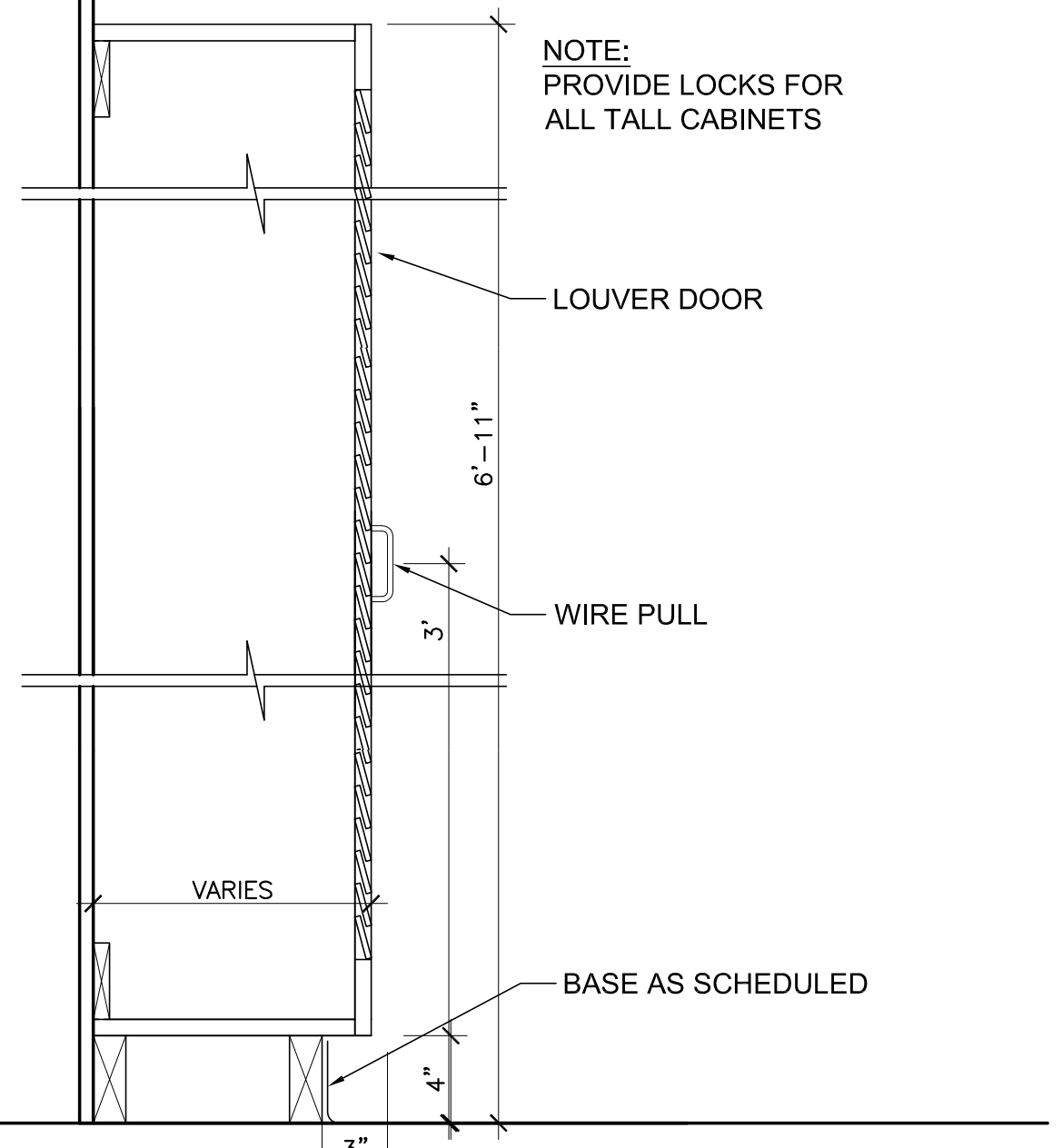
1-1/2" = 1'-0"

NOTE:
EXTENTS OF RAIL INDICATED ON DWG AE-101. TERMINATE RAIL AT INSIDE CORNER OR HM FRAME. SELF MITER AT ALL TERMINATIONS.



A3 RAIL

1-1/2" = 1'-0"

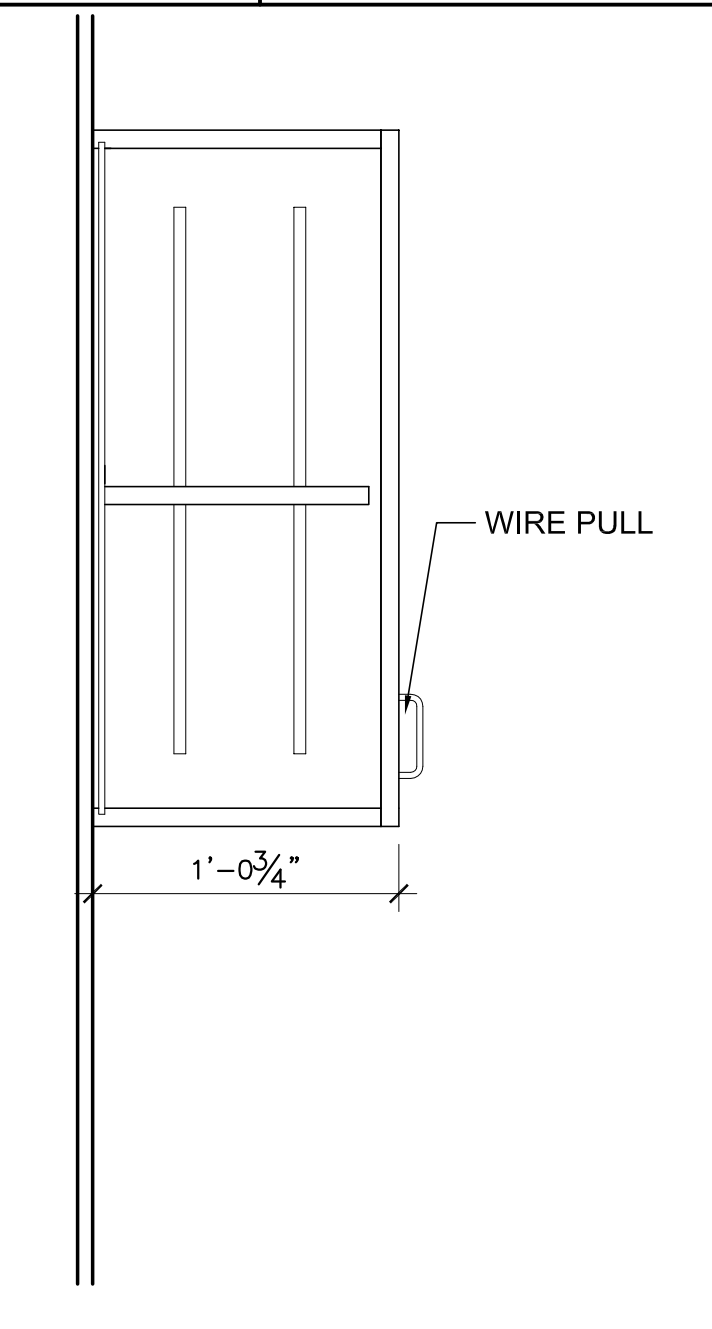


A5 TALL CABINET

1-1/2" = 1'-0"

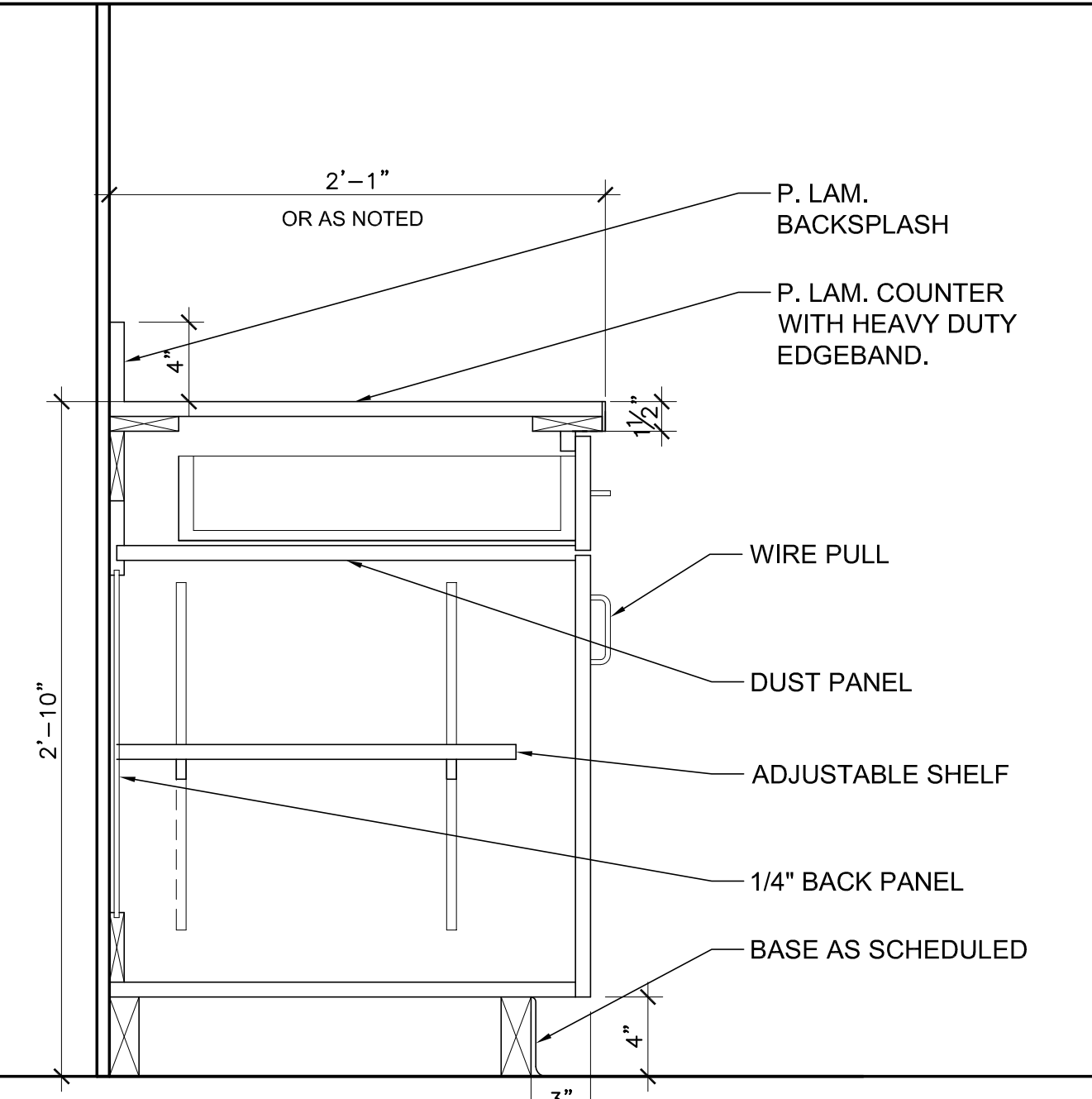
E8 PARTITION TYPES

1 1/2" = 1'-0"



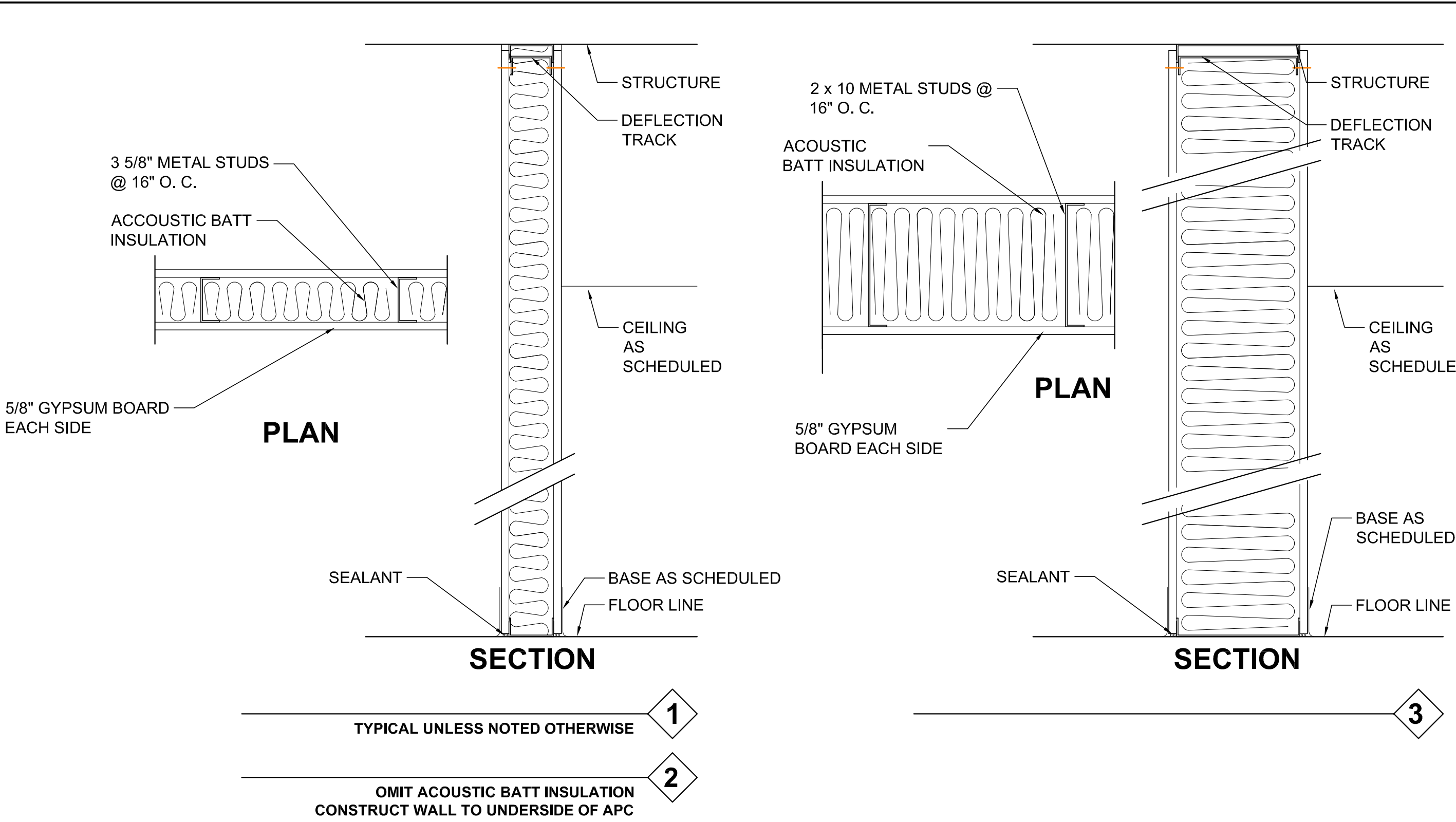
A8 WALL CABINET

1-1/2" = 1'-0"



A10 BASE CABINET

1 1/2" = 1'-0"



Allied Engineering
Structural Mechanical Electrical Consulting

160 Veranda Street
Portland, Maine 04103
T: 307.251.2260
F: 307.251.2266
Web: www.allied-eng.com

ISSUED FOR CONSTRUCTION
09 / 25 / 15

CURRENT ISSUE STATUS:

DESIGN GROUP COLLABORATIVE
ARCHITECTURE DESIGN + PLANNING

40 CHURCH STREET
ELLSWORTH, MAINE
(207) 664-0560

22 FREE STREET
PORTLAND, MAINE
(207) 659-3500

**MAINE MEDICAL CENTER
PREP NORDX RENOVATIONS**
PORTLAND, MAINE

INTERIOR ELEVATIONS AND DETAILS

SHEET TITLE:	9/25/15	
DATE:	AS NOTED	GRAPHIC SCALE:
SCALE:	122033	SHEET No.
PROJECT NO.:	LMC	
DRAWN BY:	CMH	
CHECKED BY:		

AE-200