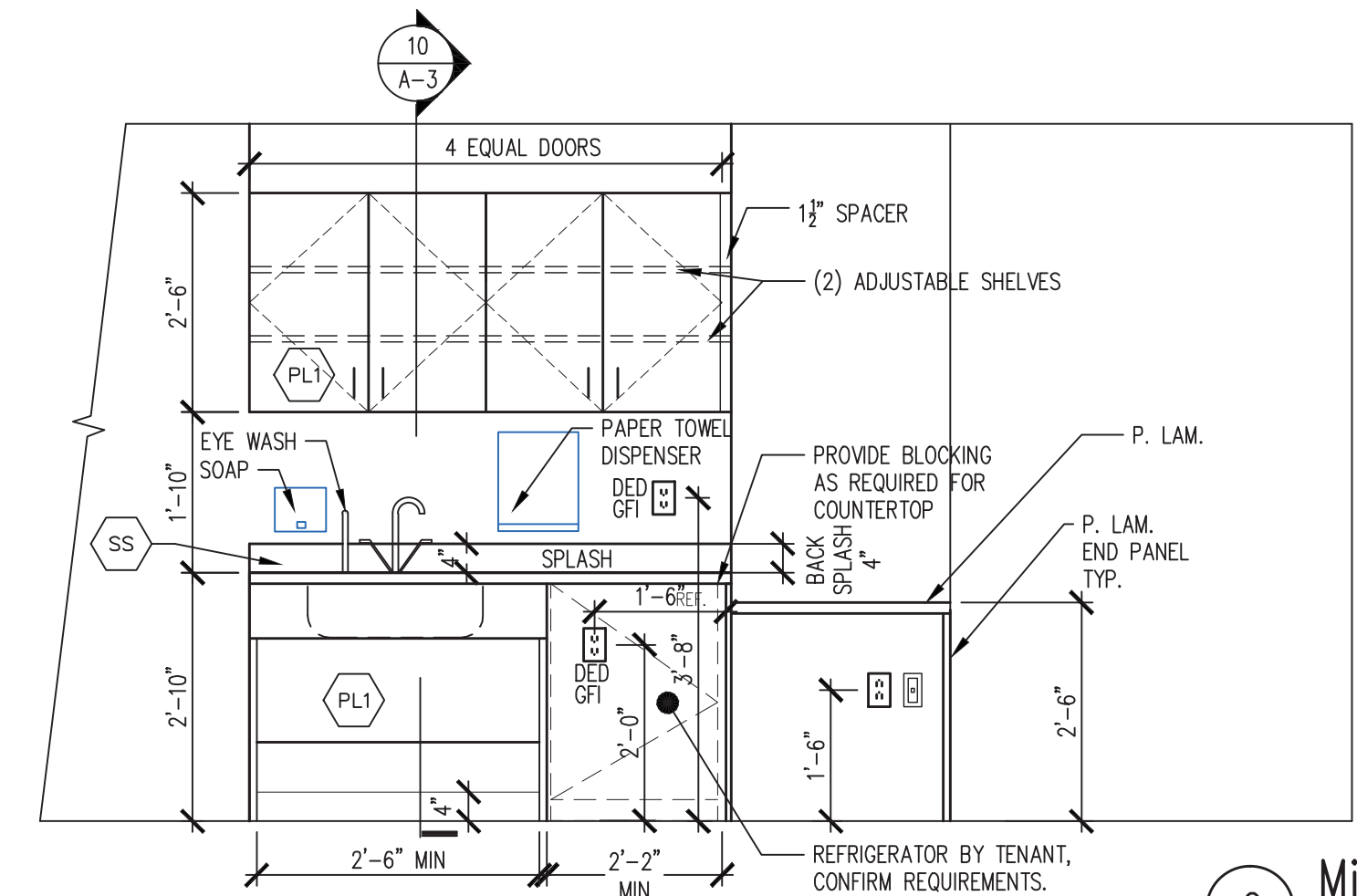
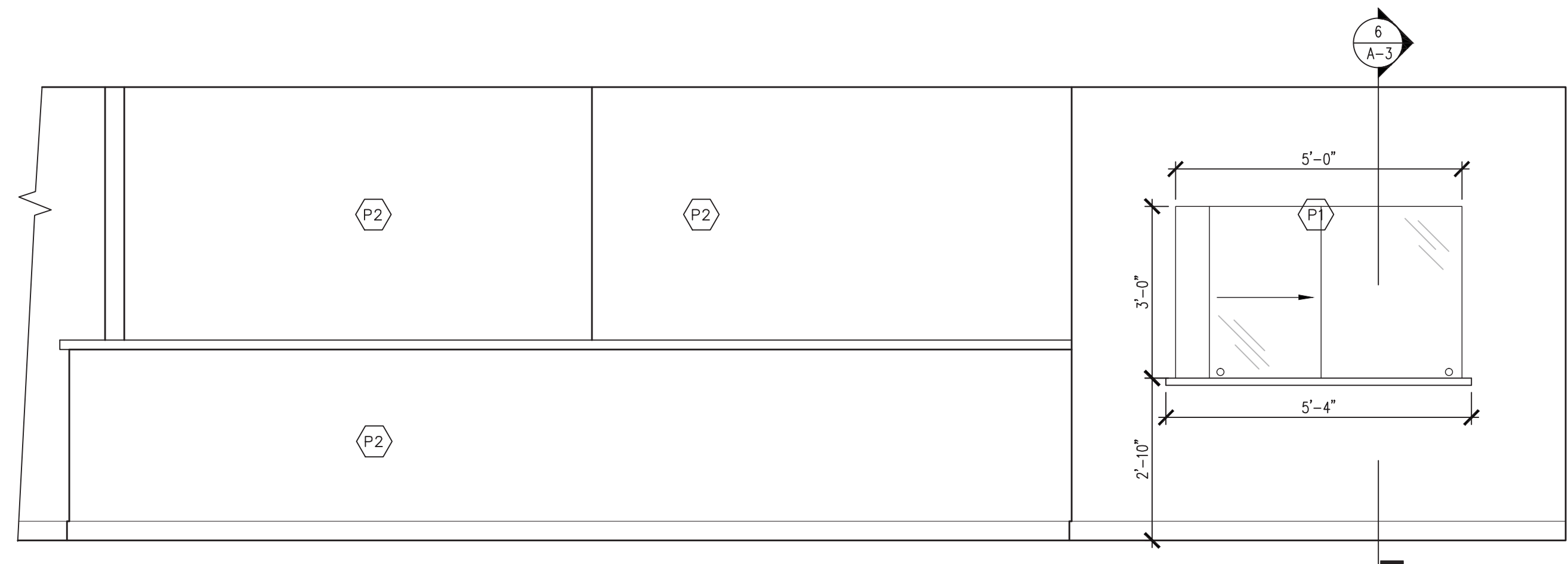


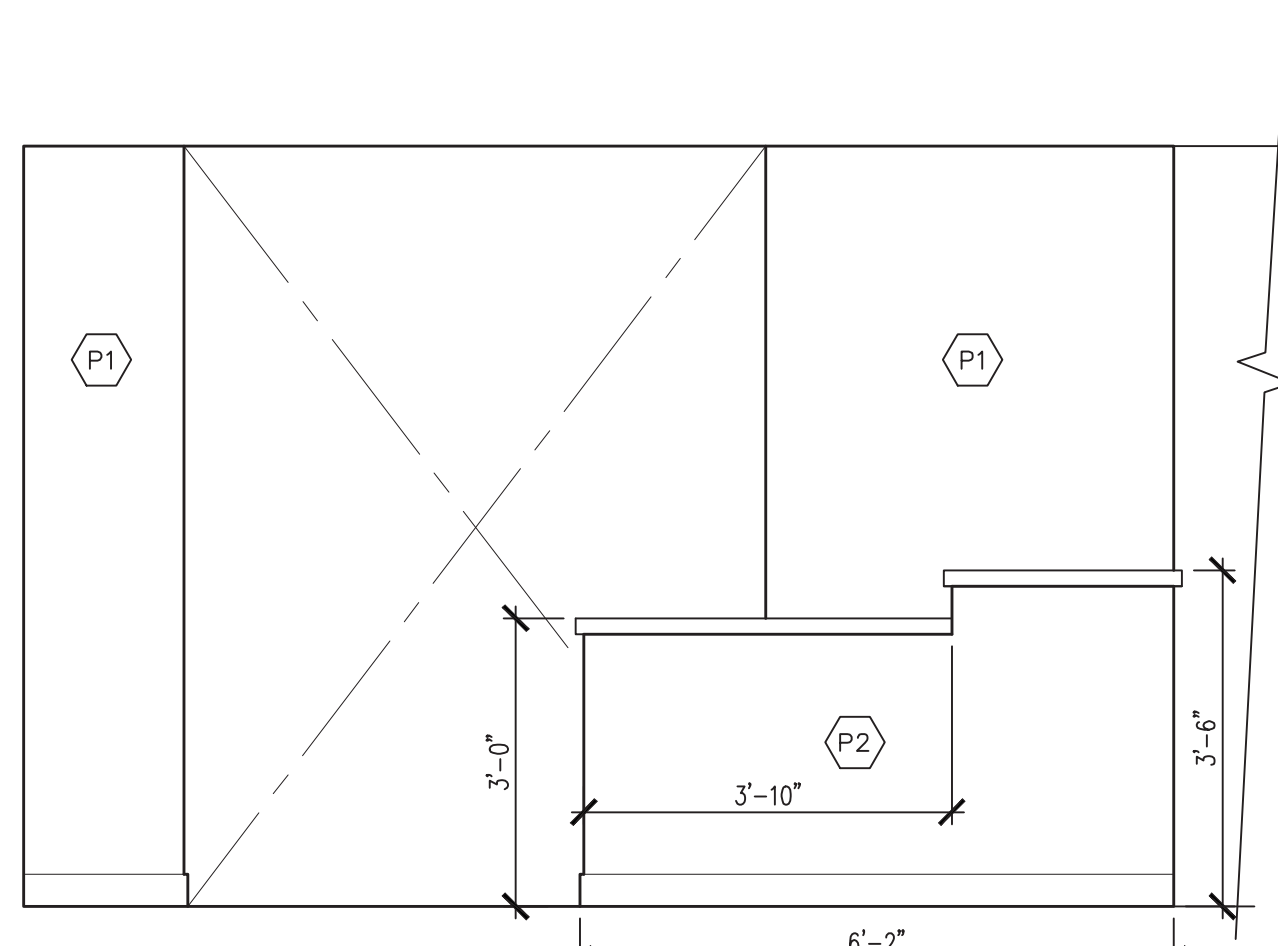
1 Head Wall Elevation  
Scale 1/2" = 1'-0"



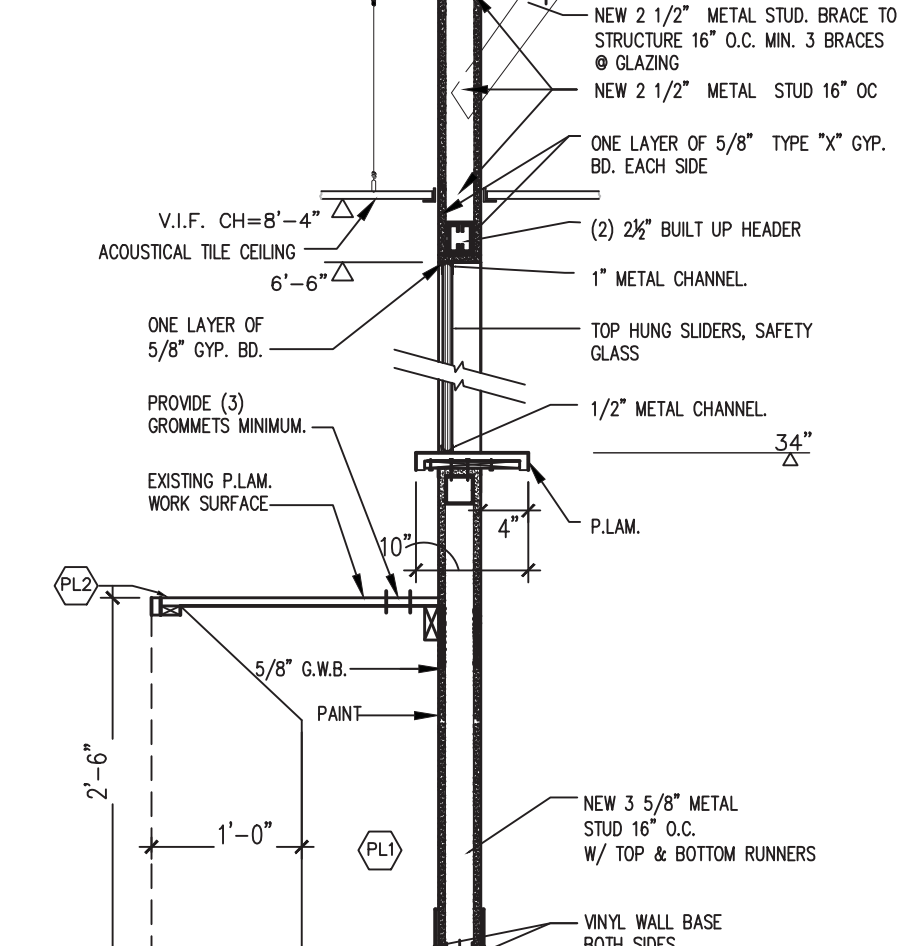
2 Millwork Elevation Room #104  
Scale 1/2" = 1'-0"



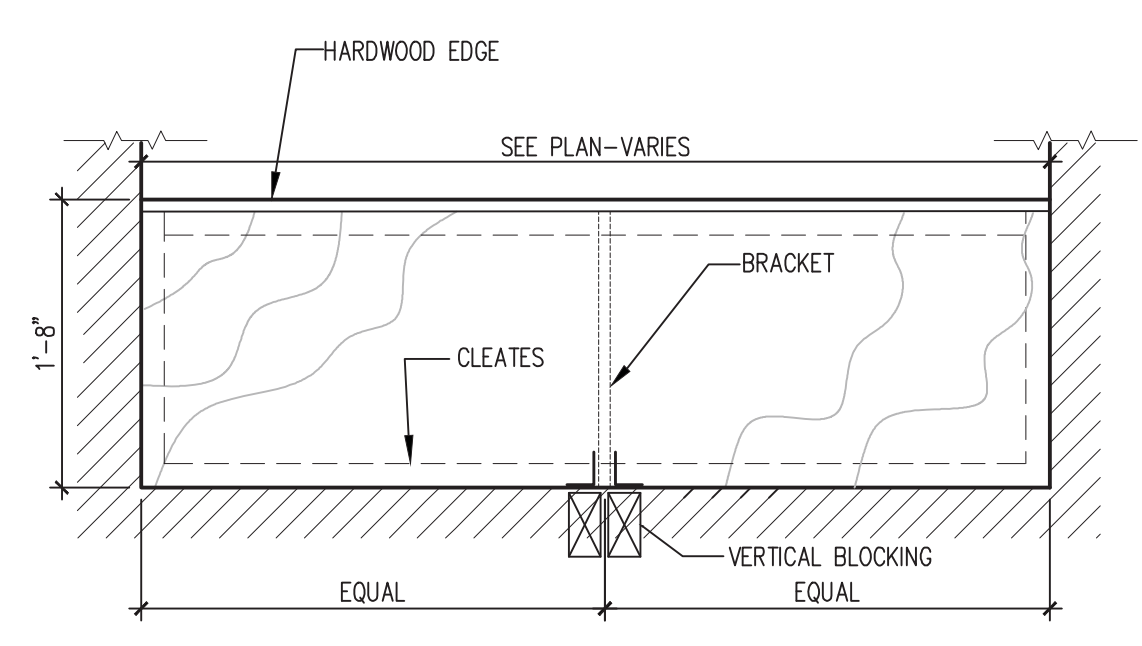
3 Elevation Reception  
Scale 1/2" = 1'-0"



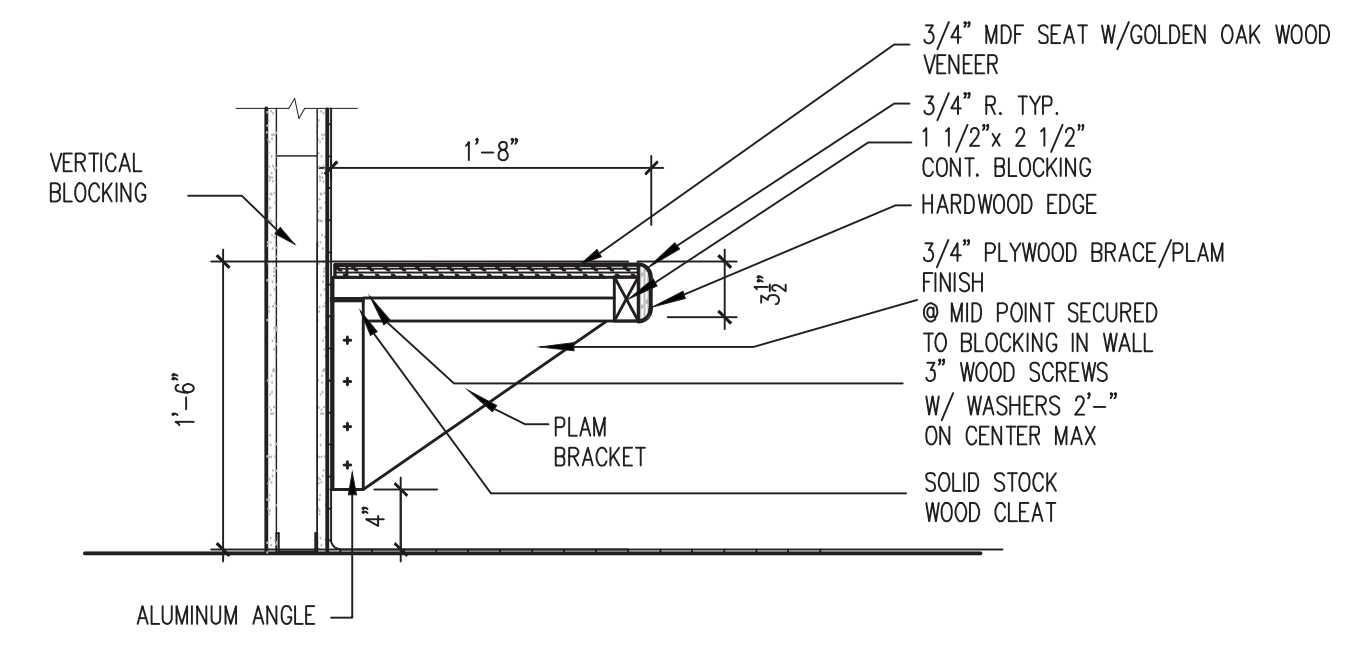
4 Side Elevation Reception  
Scale 1/2" = 1'-0"



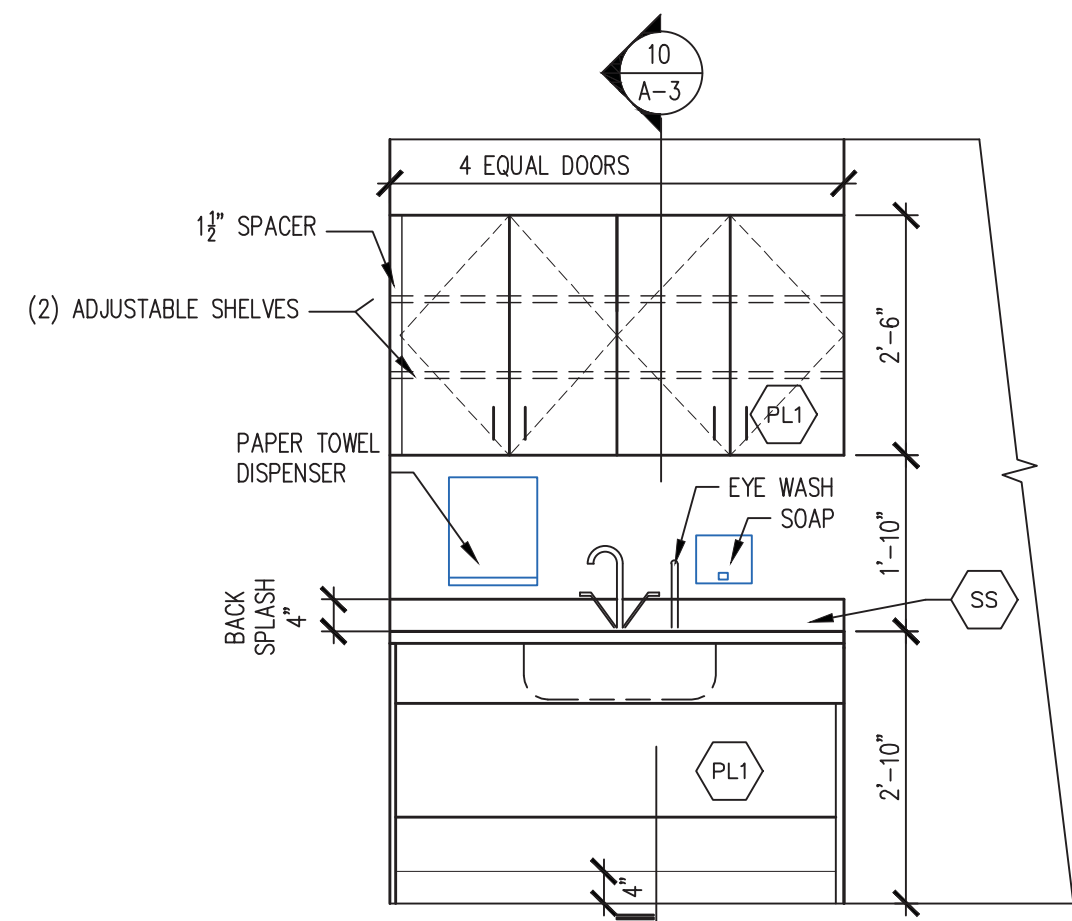
5 Millwork Section  
Scale 3/4" = 1'-0"



6 Plan View of Bench  
Scale 1" = 1'-0"

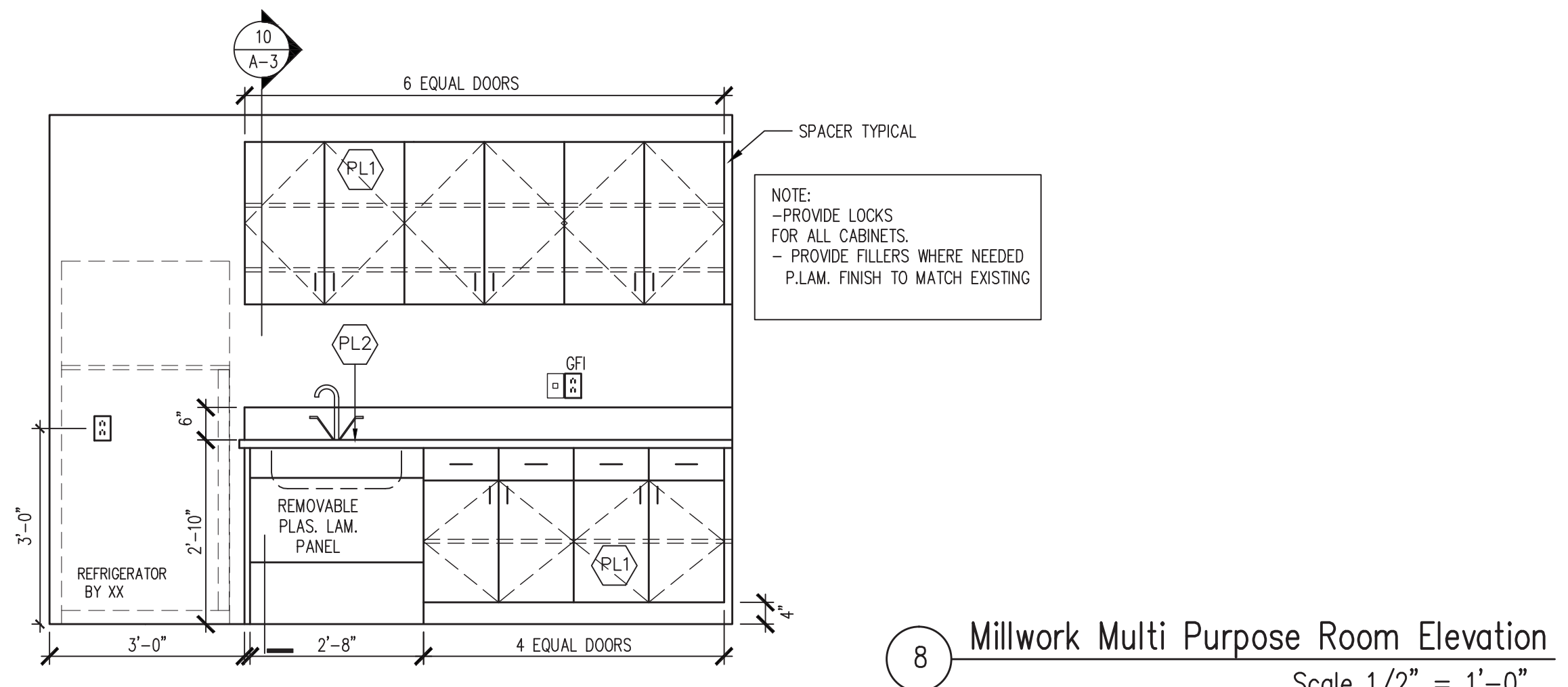


7 Section View of Bench  
Scale 1" = 1'-0"



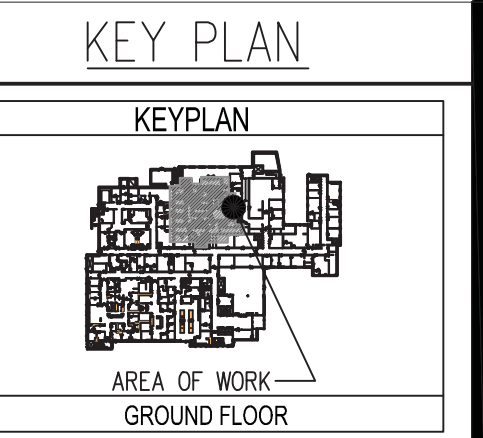
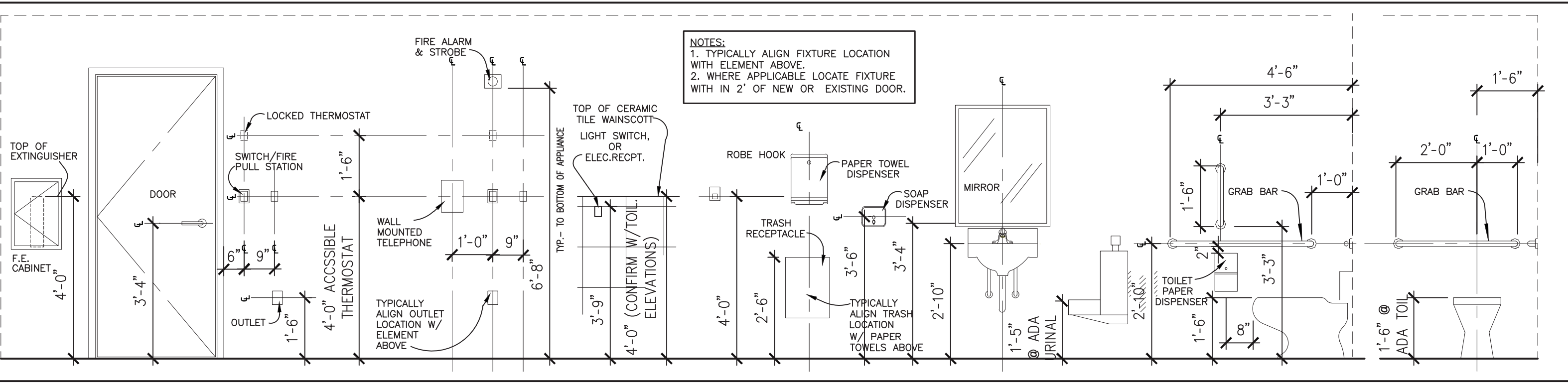
9 Millwork Elevation Room #104  
Scale 1/2" = 1'-0"

REVIEW SET  
ONLY-NOT FOR  
CONSTRUCTION



8 Millwork Multi Purpose Room Elevation  
Scale 1/2" = 1'-0"

TYPICAL MOUNTING HEIGHTS

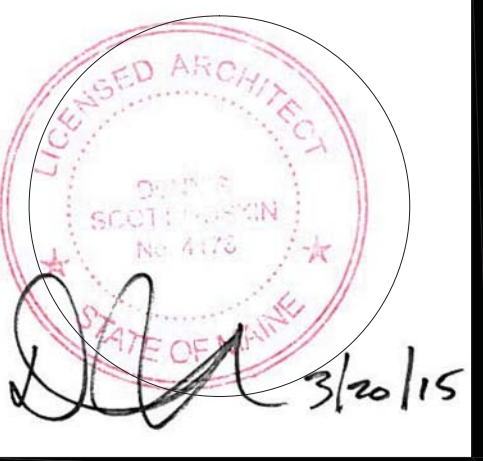
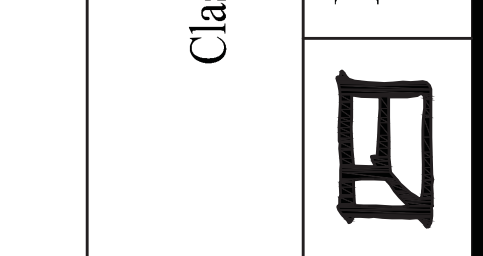


KEY PLAN  
AREA OF WORK  
GROUND FLOOR

Portland, ME  
Floor: GROUND FLOOR  
Area of Work: 4,333 SQFT

Rev No.	Date	Issued for	For
	02/02/14		REVIEW SET
	01/07/15		REVIEW SET
	02/23/15		REVIEW SET
	03/20/15		REVIEW SET

RestorixHealth  
Excellence in Wound Care  
**Maine MC**  
Class "B" Chamber Hyperbaric Suite  
335 BRIGHTON AVENUE, PORTLAND, ME  
**DENNIS NOSKIN ARCHITECTS**  
100 WHITE PLAINS ROAD, FARRINGTON, VT 05911  
DNARCHITECT.com 1-914-631-2345 F. 631-8776



Drawing Name  
MILLWORK DETAILS  
SCALE: AS NOTED  
Drawing Number  
**A-4**  
Project Number  
14091  
© 2014 DENNIS NOSKIN ARCHITECT, P.C.