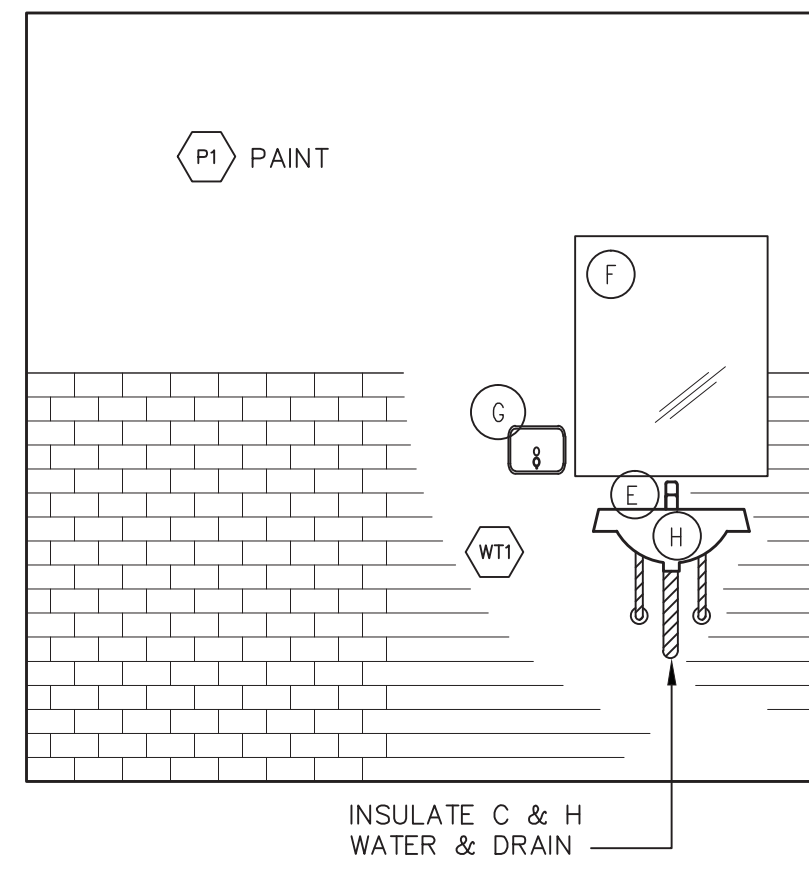
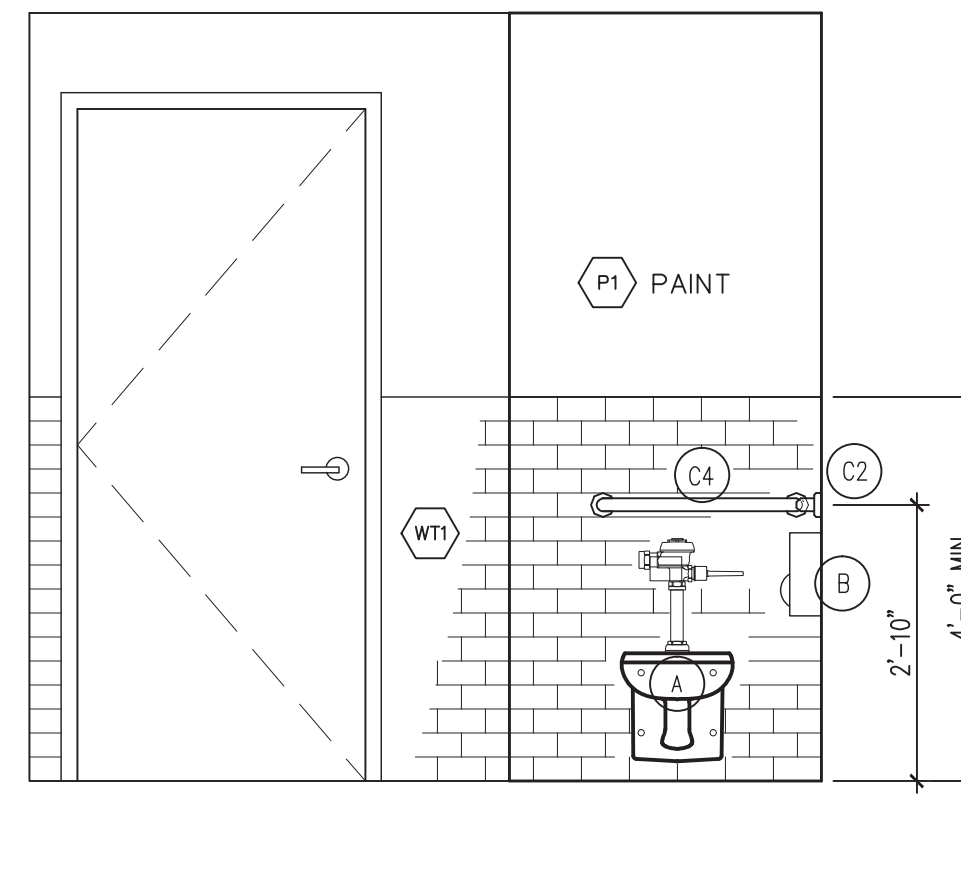


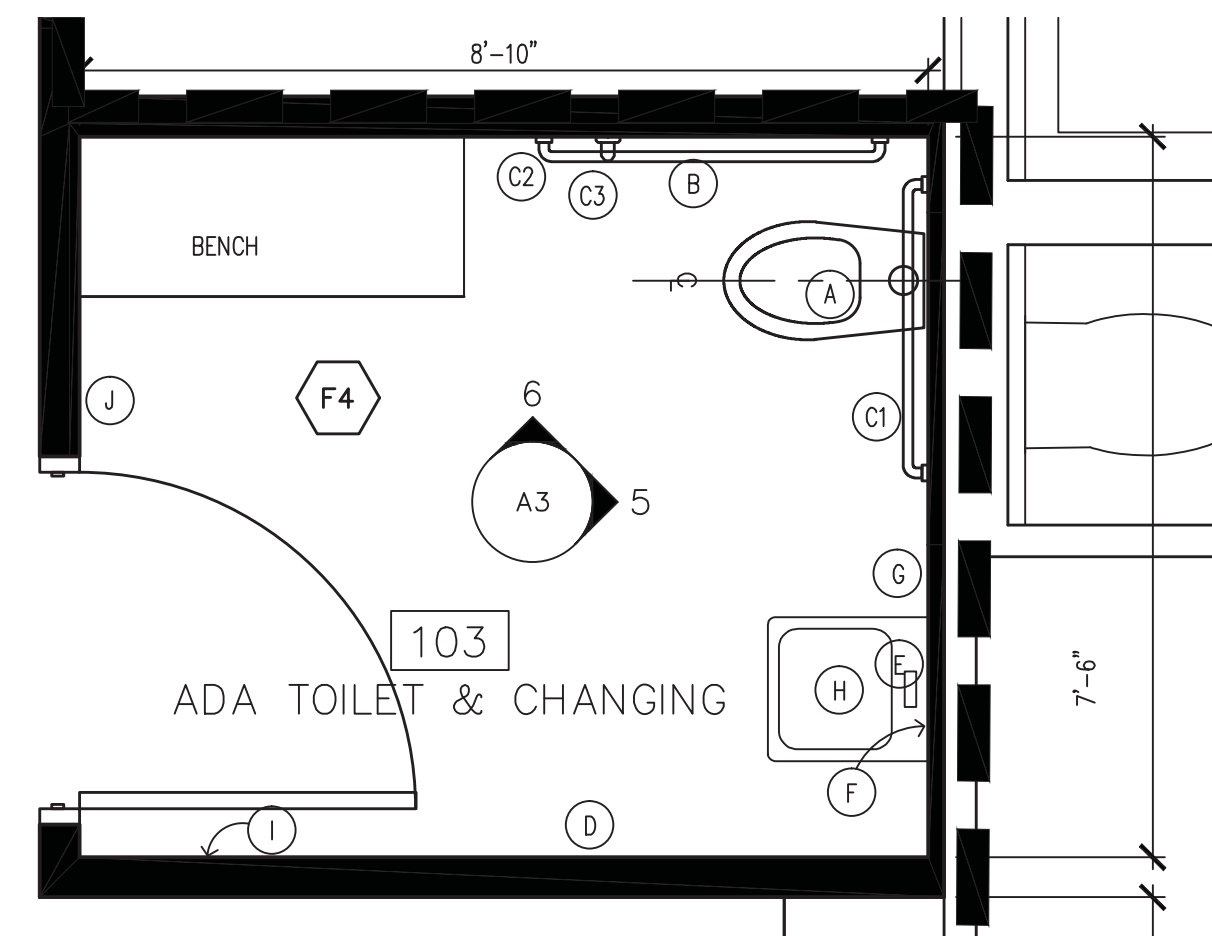
1 H.C. Toilet Plan #121
Scale 1/2" = 1'-0"



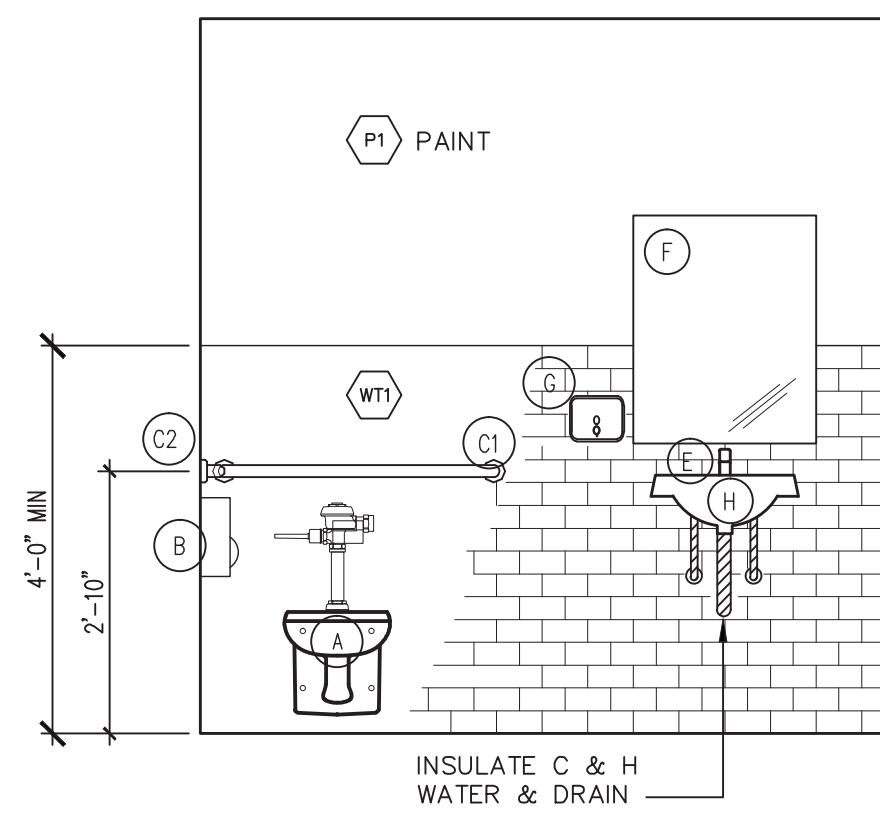
2 Elevation
Scale 1/2" = 1'-0"



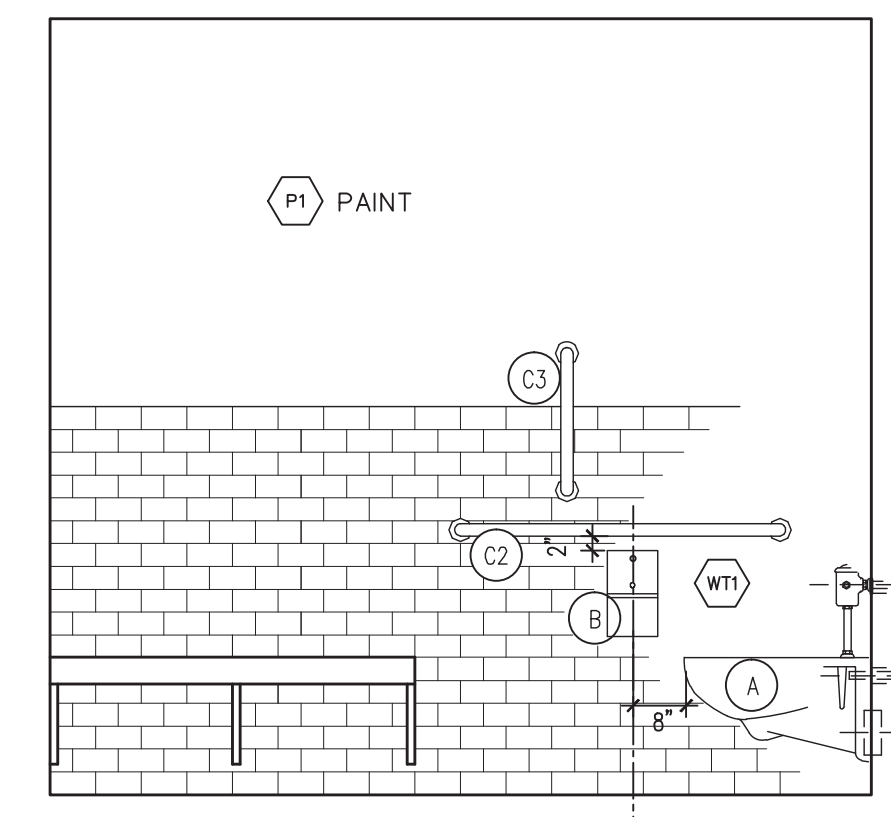
3 Elevation
Scale 1/2" = 1'-0"



4 H.C. Toilet Plan #103
Scale 1/2" = 1'-0"



5 H.C. Toilet Elevation
Scale 1/2" = 1'-0"



6 H.C. Toilet Elevation
Scale 1/2" = 1'-0"

TOILET ROOM ACCESSORIES

- (A) WATER CLOSET: WALL-MOUNTED, MATCH HOSPITAL STANDARD
- (B) TOILET TISSUE DISPENSER: MATCH HOSPITAL STANDARD
- (C1) GRAB BARS: BOBRICK B-5806.99 x36 SERIES, CONCEALED MOUNTING WITH 4 SET SCREWS/ CONCEALER ANCHOR # 2562, SATIN FINISH
- (C2) GRAB BARS: BOBRICK B-5806.99 x 42", CONCEALED MOUNTING W/ 4 SET SCREWS/ CONCEALER ANCHOR # 2562, SATIN FINISH
- (C3) GRAB BARS: BOBRICK B-5806.99 x 18", CONCEALED MOUNTING W/ 4 SET SCREWS/ CONCEALER ANCHOR # 2562, SATIN FINISH
- (C4) GRAB BARS: BOBRICK B-XX x 24", CONCEALED MOUNTING W/ 4 SET SCREWS/ CONCEALER ANCHOR # 2562, SATIN FINISH
- (D) PAPER TOWEL DISPENSER AND WASTE RECEPTACLE: BOBRICK, B-369
- (E) FAUCET: MATCH HOSPITAL STANDARD WITH FREE WRIST BLADES.
- (F) MIRROR: BOBRICK-24"x30" MIRROR W/ STAINLESS STEEL ANGLE FRAME: B-290 2430
- (G) SOAP DISPENSER: MATCH HOSPITAL STANDARD
- (H) LAVATORY: AMERICAN STANDARD WALL MOUNTED LUCERN. COLOR: WHITE
- (I) MIRROR: BOBRICK-24"x48" MIRROR W/ STAINLESS STEEL ANGLE FRAME: B-290 2448
- (J) ROBE HOOK: BOBRICK B-2116

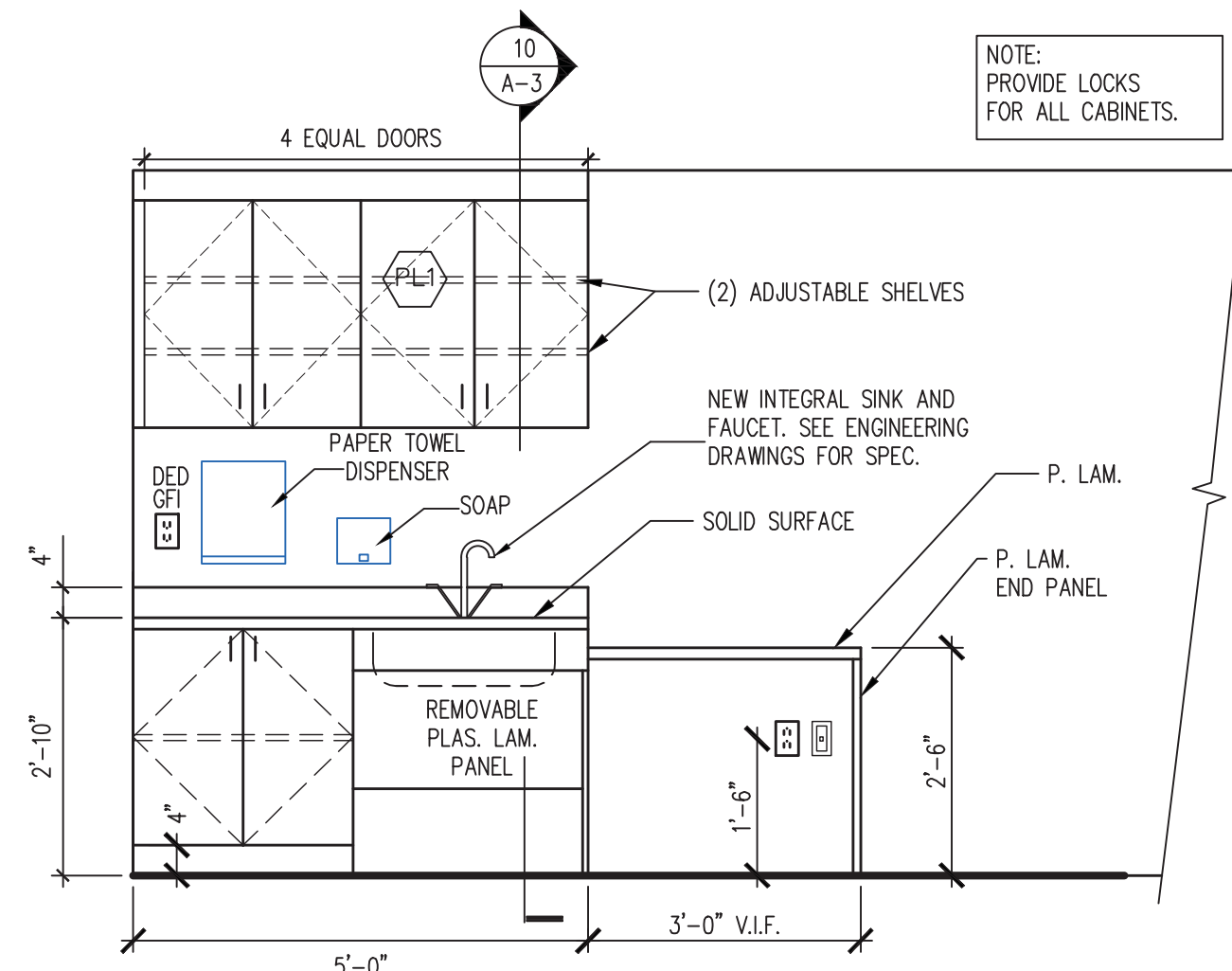
NOTE: CONTRACTOR TO VERIFY WITH HOSPITAL REPRESENTATIVE WHETHER ABOVE LISTED FIXTURES COMPLY WITH HOSPITAL STANDARD.

TOILET ROOM NOTES

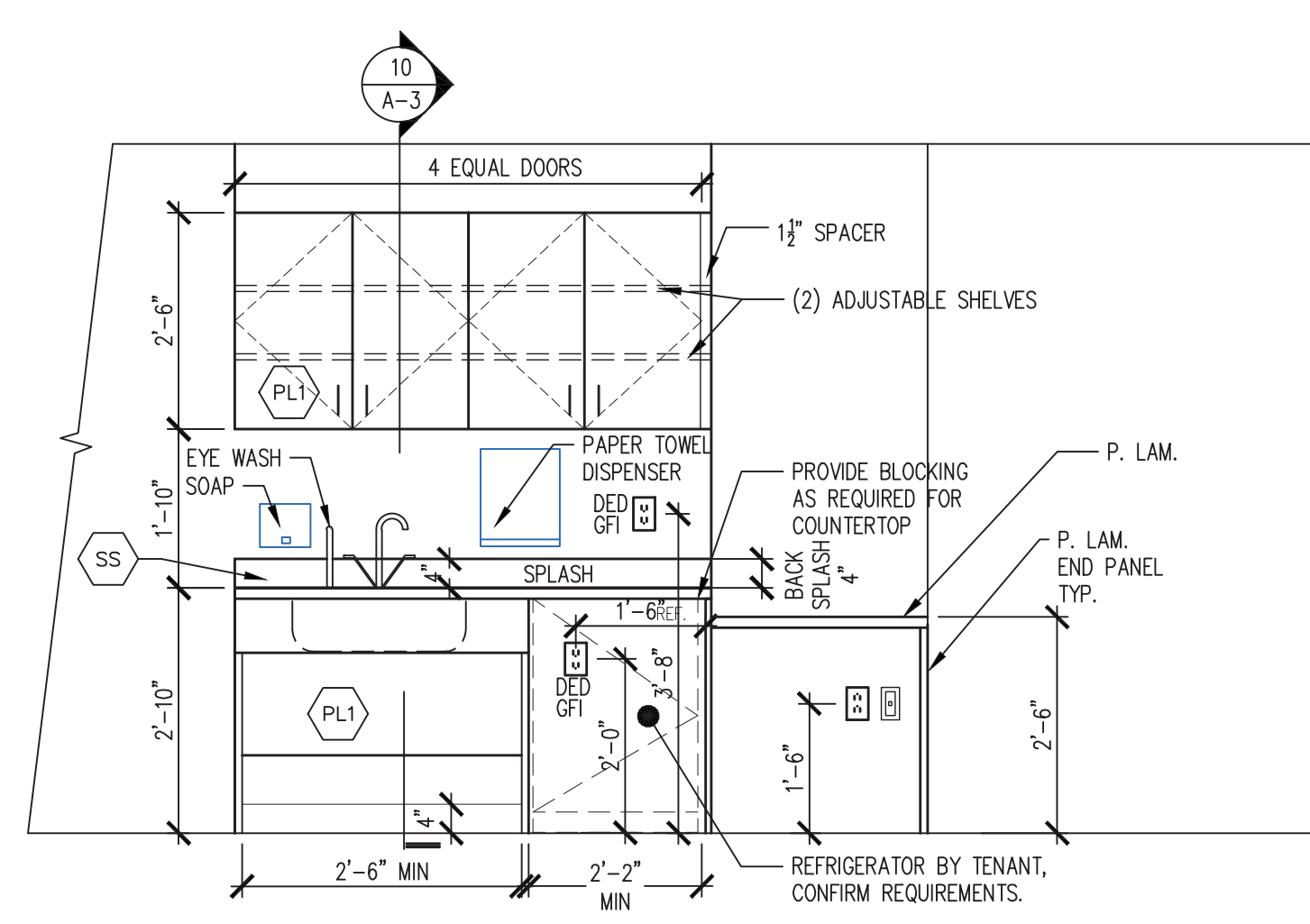
- HANDICAPPED ACCESSIBLE TOILET FACILITY: ALL DIMENSIONS MUST CONFORM TO THE AMERICANS WITH DISABILITIES CABO/ANSI 117.1-1992. FIG. B4.20.3.1 CABO/ANSI 117.1-1992. ACT OF 1991 (ADA) & CABO/ANSI 117.1 1992 REGARDLESS OF ANY DIMENSION SHOWN OR IMPLIED.
- LAVATORY SHALL MEET ADA GUIDELINES. FIG. B4.20.3.2.
- WATERCLOSET SHALL MEET ADA GUIDELINES. FIG. B4.17.2 CABO/ANSI 117.1-1992. INSTALL 1 1/4" STAINLESS STEEL GRAB BAR BEHIND AND ADJACENT TO WATERCLOSET AS INDICATED AT 2'-11" AFF. FIG. B4.17.3 CABO/ANSI 117.1-1992.
- INSTALL NEW ADA COMPLIANT SIGNAGE - COORDINATE WITH BUILDING MANAGER (5'-0" AFF TO CENTERLINE OF SIGN) ADJACENT TO TOILET ROOM ENTRY DOORS. SIGNAGE SPECIFICATIONS HAVE TO BE APPROVED BY OWNER PRIOR TO PURCHASE AND INSTALLATION.

REVIEW SET ONLY-NOT FOR CONSTRUCTION

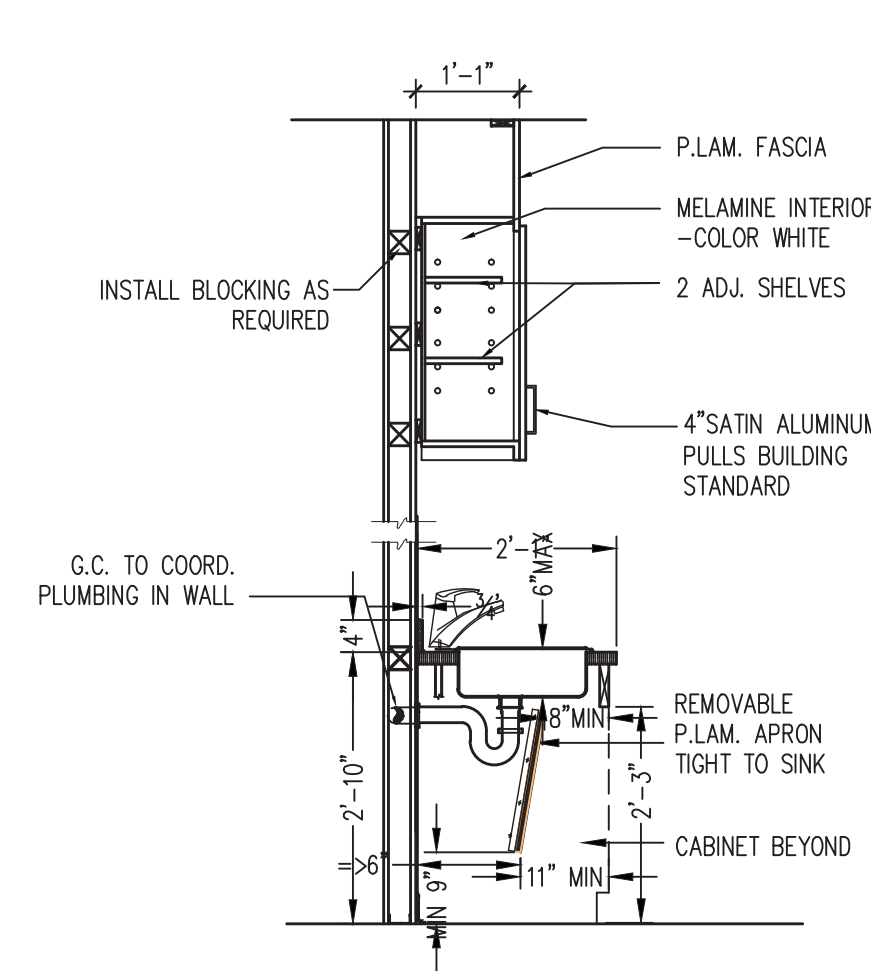
7 NOT USED
NTS



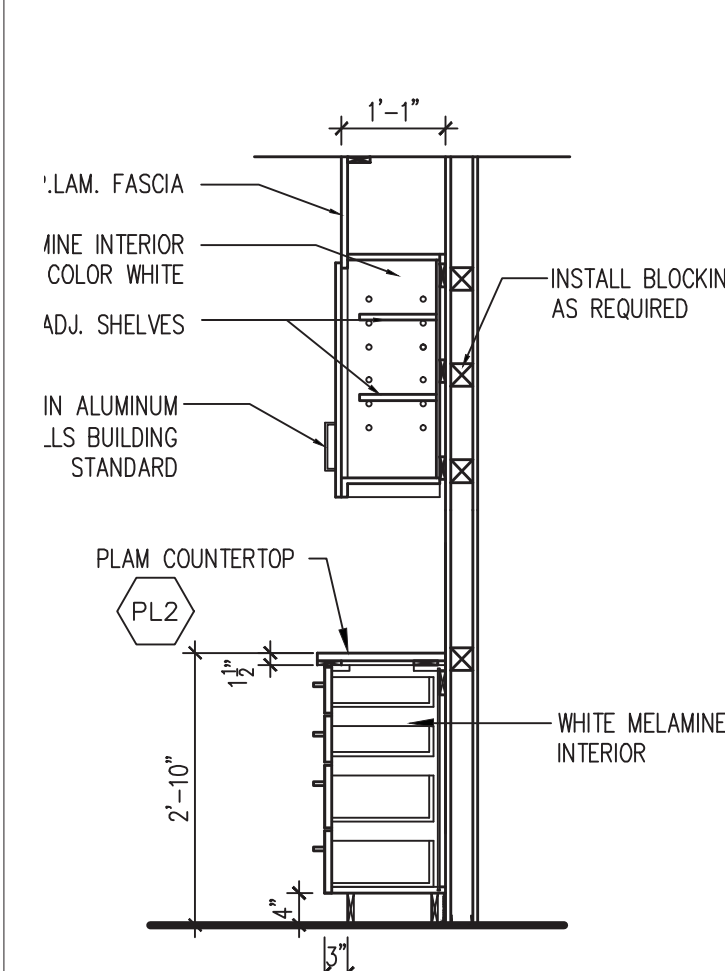
8 Typical Treatment Room Elevation
Scale 1/2" = 1'-0"



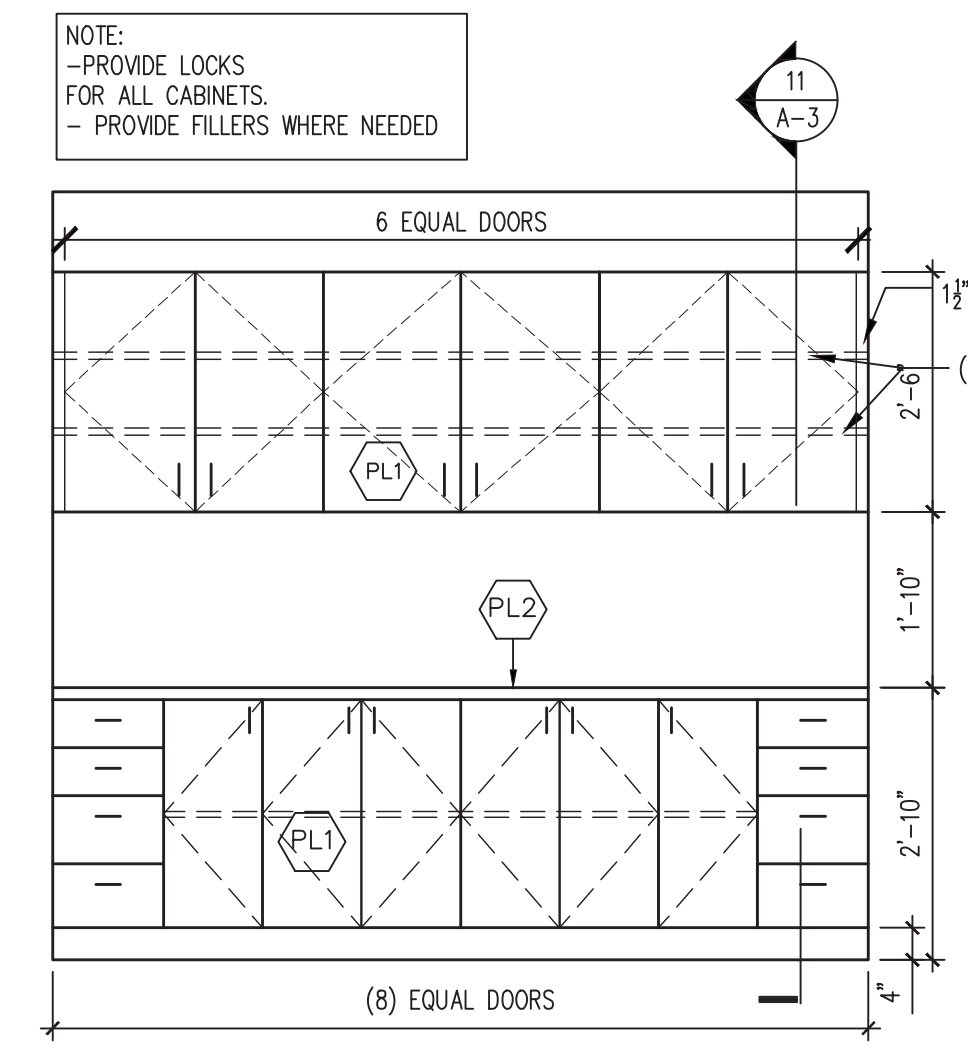
9 Millwork Elevation
Scale 1/2" = 1'-0"



10 Millwork Section
Scale 1/2" = 1'-0"

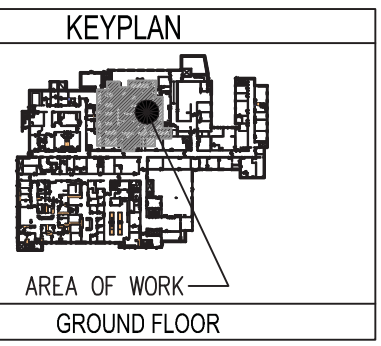


11 Millwork Section
Scale 1/2" = 1'-0"



12 Millwork Elevation
Scale 1/2" = 1'-0"

KEY PLAN



Portland, ME
Floor: GROUND FLOOR
Area of Work: 4,333 SQFT

Rev No.	Date	Issued for	Hospital	Owner	Build Dept	Fire Marsh	Dir's	Relief	Interior	Architect	Comment
	02/02/14										REVIEW SET
	02/02/15										
	02/23/15										
	03/20/15										

Restorix Health
Experience in Wound Care

Maine MC
Class "B" Chamber Hyperbaric Suite
335 BRIGTON AVENUE, PORTLAND ME

DENNIS NOSKIN ARCHITECTS
100 WHITE PLAINS ROAD, FARMINGTON, VT 05091
DNARCHITECT.com T 914 631 2345 F 631 8776

LICENSED ARCHITECT
Dennis Noskin
No. 4178

3/20/15

Drawing Name
MILLWORK AND TOILET ELEVATIONS
SCALE: AS NOTED

Drawing Number
A-3

Project Number
14091

© 2014 DENNIS NOSKIN ARCHITECT, P.C.